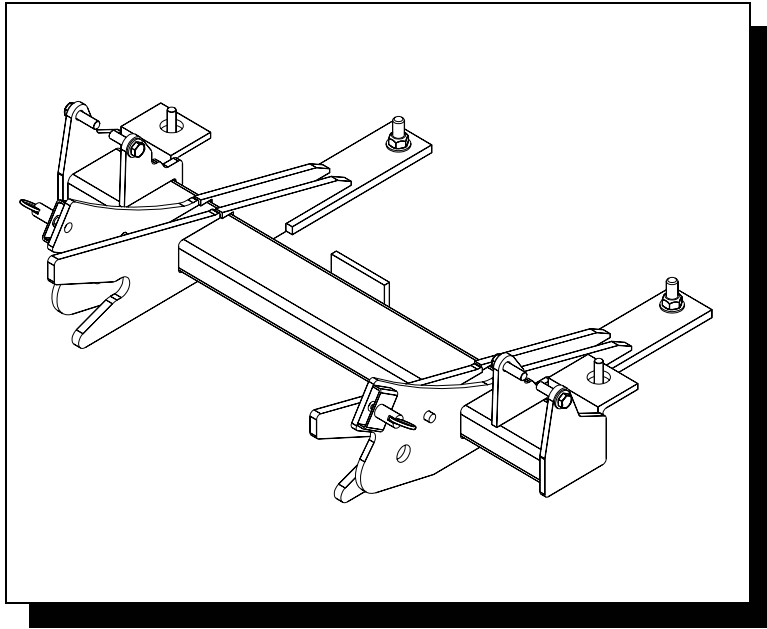


BLIZZARD[®] **SNOWPLOWS**

UNDERCARRIAGE INSTALLATION INSTRUCTIONS



UNDERCARRIAGE **30042**

HARDWARE KIT **61076**

FOR MODELS:

CHEVROLET K1500 HD SILVERADO (2001-2003)

CHEVROLET K2500 SILVERADO (1999-2005)

CHEVROLET K2500 SUBURBAN (2000-2005)

CHEVROLET K2500 AVALANCHE (2002-2005)

CHEVROLET K3500 PICKUP (2001-2005)

GMC K1500 HD SIERRA (2001-2003)

GMC K2500 SIERRA (1999-2005)

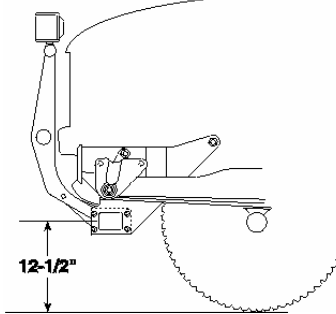
GMC K2500 YUKON XL (2000-2005)

GMC K3500 PICKUP (2001-2005)

INSTALLATION INSTRUCTIONS

P/N 30042
PUSH BEAM P/N 30037

A label identifying the undercarriage assembly part number and push beam part number is applied to the rear of the push beam.



The recommended push beam height for this undercarriage assembly is 12-1/2" from the center of the push beam to level ground. DO NOT exceed 14-1/2" in height for this undercarriage.

WARNING: Always perform vehicle undercarriage installations with the keys removed from the vehicle's ignition. Properly tag the ignition switch to alert others work is being performed on the vehicle.

Most newer trucks are equipped with driver and passenger's side air bags. DO NOT remove, disable, or reposition any sensory equipment related to the safe operation of the air bags.

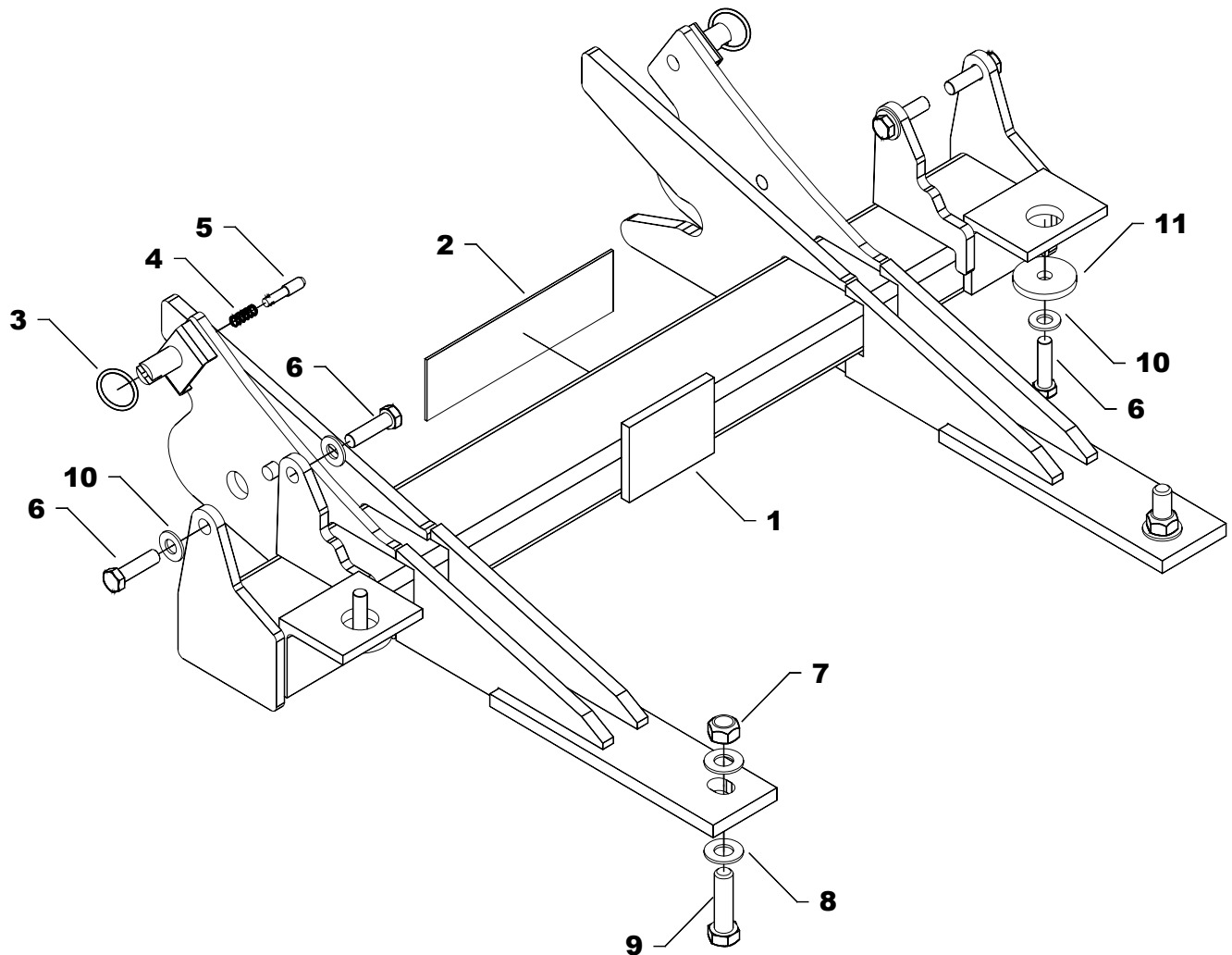
ALWAYS follow the vehicle manufacturer's recommendations for installing snowplowing equipment.

FAILURE TO COMPLY WITH THE ABOVE WARNINGS MAY RESULT IN SERIOUS INJURY OR DEATH.

CAUTION: If your vehicle is equipped with oversize tires, they may come into contact with the undercarriage hanger plates when turning the vehicle. Adjust steering stops if possible.

1. Remove the PLASTIC BUMPER FASCIA mounted to the bottom of the front bumper. For the Avalanche, remove the entire plastic bumper. Disconnect the fog lamp electrical harnesses prior to removing the bumper. *Note: The airfoil/bumper will need to be permanently removed or notched to accommodate the undercarriage assembly.*
2. Remove and discard the three bolts that secure each tow hook to the truck frame. The tow hooks should remain in the same position.
3. Align the undercarriage mount pockets (at each end of the PUSH BEAM WELDMENT) with the tow hook mounting brackets on the vehicle. *Note: Use a floor jack to help facilitate the installation procedure.*
4. Install two bolts (**Ref 6**) with washers (**Ref 10**) to the side tow hook mount at each end of the assembly. Finger tighten the fasteners until all undercarriage parts are in place.
5. Install bolt (**Ref 6**) with one of each washer (**Ref 10 & 11**) through the truck frame and rear tow hook mount at each side of the push beam. Both bolts will tighten into the existing tow hook.
6. Install two bolts (**Ref 9**) and washers (**Ref 8**) through the push beam rear support arms and the truck frame crossmember. Secure each bolt with a washer (**Ref 8**) and nut (**Ref 7**).
7. Tighten all nuts according to torque specifications.
8. Position the LIGHT TOWER into the mount pockets on the push beam. Each pocket has a lock pin that secures both light tower arms. Pull out and twist each ring handle to temporarily unlock the pins. Place the light tower into the pockets and relock the pins. Mount each PLOW HEADLIGHT to the light tower with the hardware kit provided.
9. Complete the assembly by plugging the connectors from the snowplow headlights into the connectors on the vehicle wire harness. Adjust both lights with the plow in the raised position.

UNDERCARRIAGE PARTS



REF	PN	QTY	DESCRIPTION	NOTES
-	30042	1	Asm, Undercarriage	INCLUDES 1-11
-	61076	1	Kit, Hardware	INCLUDES 6-11
1	30037	1	Weldment, Push Beam 2 x 4 x 36.69	
2	63162	1	Decal, Push Beam, 1-1/2" x 6-1/2"	
3	61309	2	Ring, Standard Split, 1.48" O.D	
4	61000	2	Spring, Draw Latch Lock Pin	
5	40079	2	Pin, 3/8" DIA. x 1-3/4" SS	
6	61068	6	Screw, M12-1.75 x 45 HHCS Gr8.8 Z	
7	61063	2	Nut, 5/8"-11 Top Lock Z	
8	61064	4	Washer, 5/8" SAE Hardened	
9	61067	2	Screw, 5/8"-11 x 2-1/4" HHCS Gr8, YZ	
10	61026	6	Washer, 1/2" SAE Hardened	
11	30214	2	Washer, Plate	

Note: The reference numbers listed identify parts shown in the illustration above. These numbers are specific to this illustration only. Always review the part number given for proper component identification. Blizzard Corporation reserves the right, under its Continuous Improvement Policy, to change construction or design details and furnish equipment when so altered without reference to illustrations or specifications.

HEADLIGHT CONVERSION HARNESS GUIDE

VEHICLE APPLICATION	HEADLIGHT CONNECTOR	HEADLIGHT DESCRIPTION	HEADLIGHT NUMBERS	CONVERSION HARNESS
2003 CHEVROLET K1500 HD SILVERADO 2003-2004 CHEVROLET K2500 AVALANCHE 2003-2005 CHEVROLET K2500 SUBURBAN 2003-2005 CHEVROLET K2500 SILVERADO 2003-2005 CHEVROLET K3500 PICKUP 2003 GMC K1500 HD SIERRA 2003-2005 GMC K2500 YUKON XL 2003-2005 GMC K2500 SIERRA 2003-2005 GMC K3500 PICKUP	HB3/HB4	QUAD COMPOSITE HALOGEN BULB	H9005, H9006	62223
2001-2002 CHEVROLET K1500 HD SILVERADO 2002 CHEVROLET K2500 AVALANCHE 2000-2002 CHEVROLET K2500 SUBURBAN 1999-2002 CHEVROLET K2500 SILVERADO 2001-2002 CHEVROLET K3500 PICKUP 2001-2002 GMC K1500 HD SIERRA 2000-2002 GMC K2500 YUKON XL 1999-2002 GMC K2500 SIERRA 2001-2002 GMC K3500 PICKUP	HB3/HB4	QUAD COMPOSITE HALOGEN BULB	H9005, H9006	62224

Note: Headlight conversion harness kits are not included with undercarriages. All headlight conversion harness kits sold separately.

TORQUE SPECIFICATIONS (For reference only)



Grade Identification Marking for J429-Grade 5 Bolt



Grade Identification Marking for J429-Grade 8 Bolt

Nominal Thread Size	SAE J429 – Grade 5			Nominal Thread Size	SAE J429 – Grade 8		
	Clamp Loads (lbs)	Tightening Torque			Clamp Loads (lbs)	Tightening Torque	
		“Lubricated”	“Dry”			“Lubricated”	“Dry”
1/4-20	2,000	6 ft-lbs	8 ft-lbs	1/4-20	2,850	9 ft-lbs	12 ft-lbs
5/16-18	3,350	13 ft-lbs	18 ft-lbs	5/16-18	4,700	18 ft-lbs	25 ft-lbs
3/8-16	4,950	23 ft-lbs	31 ft-lbs	3/8-16	6,950	32 ft-lbs	44 ft-lbs
7/16-14	6,800	37 ft-lbs	50 ft-lbs	7/16-14	9,600	53 ft-lbs	70 ft-lbs
1/2-13	9,050	57 ft-lbs	75 ft-lbs	1/2-13	12,800	80 ft-lbs	107 ft-lbs
9/16-12	11,600	82 ft-lbs	109 ft-lbs	9/16-12	16,400	115 ft-lbs	154 ft-lbs
5/8-11	14,500	113 ft-lbs	151 ft-lbs	5/8-11	20,300	159 ft-lbs	211 ft-lbs
3/4-10	21,300	200 ft-lbs	266 ft-lbs	3/4-10	30,100	282 ft-lbs	376 ft-lbs
7/8-9	29,435	321 ft-lbs	430 ft-lbs	7/8-9	41,550	454 ft-lbs	606 ft-lbs
1-8	38,600	482 ft-lbs	640 ft-lbs	1-8	54,540	680 ft-lbs	900 ft-lbs



Grade Identification Marking for Metric-Grade 8.8 Bolt



Grade Identification Marking for Metric-Grade 10.9 Bolt

Diameter (mm)	Metric Class 8.8			Diameter (mm)	Metric Class 10.9		
	Clamp Loads (Pounds)	Tightening Torque			Clamp Loads (Pounds)	Tightening Torque	
		“Lubricated”	“Dry”			“Lubricated”	“Dry”
5	1,389	3 ft-lbs	5 ft-lbs	5	1,987	5 ft-lbs	7 ft-lbs
6	1,965	6 ft-lbs	8 ft-lbs	6	2,812	8 ft-lbs	11 ft-lbs
7	2,826	10 ft-lbs	13 ft-lbs	7	4,044	14 ft-lbs	19 ft-lbs
8	3,579	14 ft-lbs	19 ft-lbs	8	5,121	20 ft-lbs	27 ft-lbs
10	5,672	28 ft-lbs	37 ft-lbs	10	8,116	40 ft-lbs	53 ft-lbs
12	8,243	49 ft-lbs	65 ft-lbs	12	11,796	70 ft-lbs	92 ft-lbs
14	11,246	77 ft-lbs	103 ft-lbs	14	16,092	111 ft-lbs	148 ft-lbs
16	15,882	125 ft-lbs	167 ft-lbs	16	21,970	173 ft-lbs	231 ft-lbs
18	19,423	172 ft-lbs	229 ft-lbs	18	26,868	238 ft-lbs	317 ft-lbs
20	24,784	244 ft-lbs	325 ft-lbs	20	34,284	338 ft-lbs	450 ft-lbs