

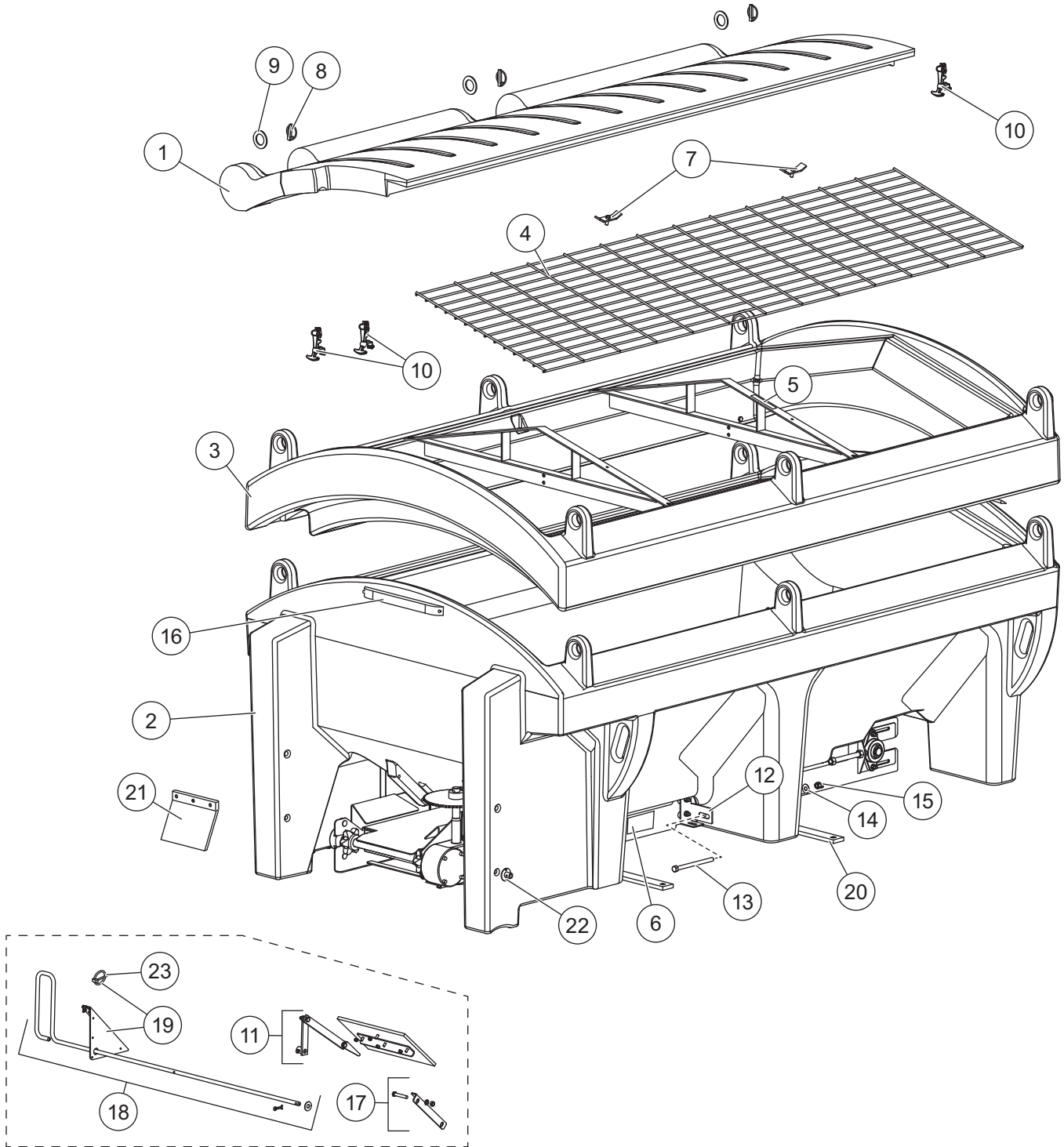


78002, 78005, 78008
Hopper Spreader Components
ICE CHASER™ Hopper Spreader
Parts List

This Parts List is for BLIZZARD® ICE CHASER Hopper Spreaders
with serial numbers beginning with 120522 through 160129.

ICE CHASER™ HOPPER SPREADER

HOPPER COMPONENTS

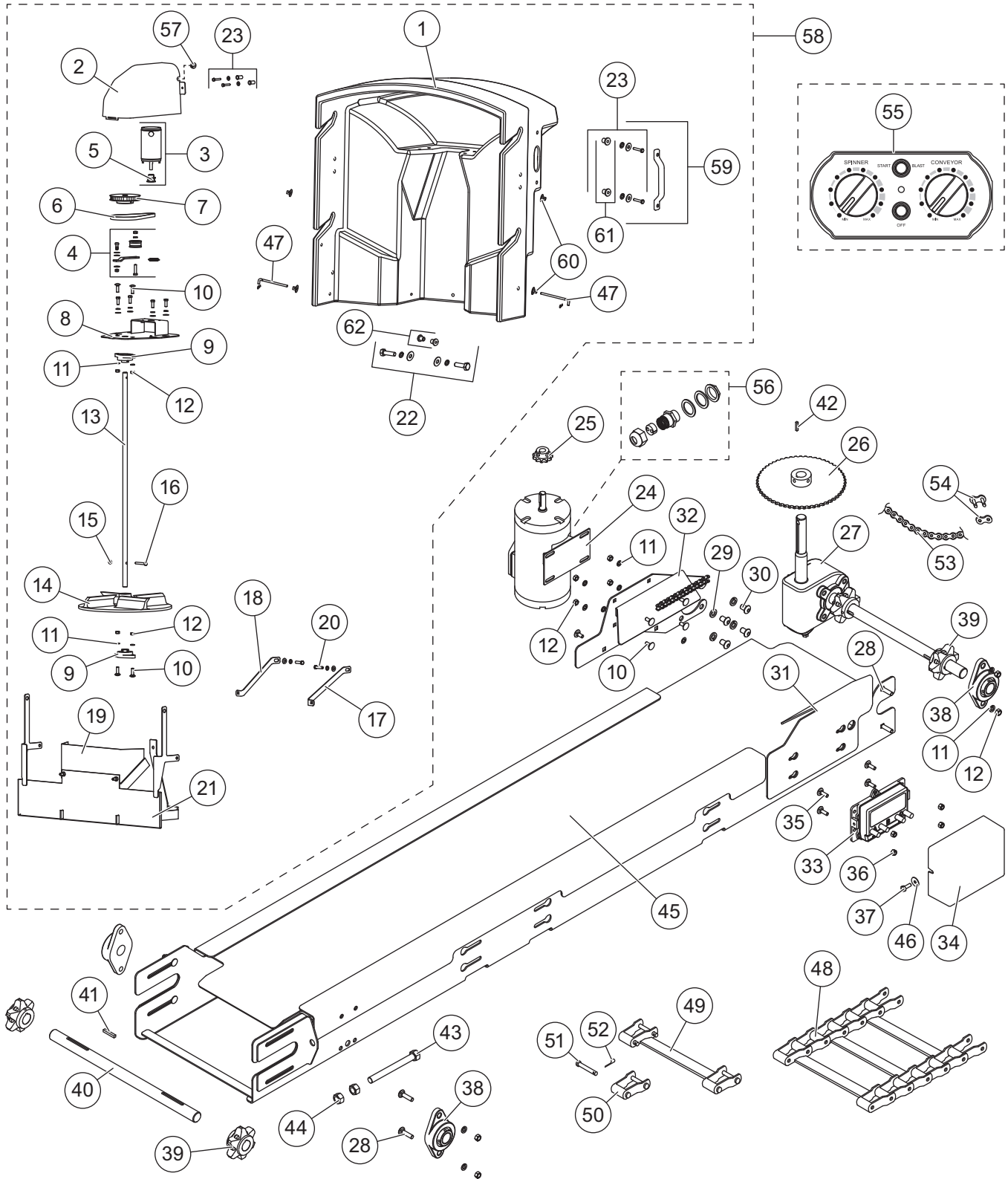


ICE CHASER™ HOPPER SPREADER

Hopper Components							
Item	Part	Qty	Description	Item	Part	Qty	Description
1	78018	1	Poly Hopper Lid, 7' (DS)	ns	78133	3	Hopper Mounting Bracket (DS)
	78019	1	Poly Hopper Lid, 8' (DS)	13	78203	4	1/2-13 x 7-1/2 Hex Cap Screw SS
ns	78020	1	Poly Hopper Lid, 7' (PS)	14	68109	4	1/2 Flat Washer SS
	78021	1	Poly Hopper Lid, 8' (PS)	15	95834	4	1/2-13 Hex Locknut SS
2	78011	1	Poly Hopper Body, 7'	ns	90375	8	3/8-16 x 1 Carriage Bolt SS
	78014	1	Poly Hopper Body, 8'	ns	91282	8	3/8 Lock Washer SS
3	78228	1	Poly Hopper, 8' Collar	ns	91431	8	3/8-16 Hex Nut SS
4	78115	2	Top Screen, 7' (Painted)	16	78048	1	CHMSL Kit (w/fasteners)
	78116	2	Top Screen, 8' (Painted)	17	78083	2	Feed Gate Guide with Fasteners Kit (incl. 94495 [2], 78047 [1], 91350 [2])
5	78279	2	Top Screen Brace w/Label (67272) Poly Hopper	18	78094	1	Feed Gate Handle Kit (incl. 78029, 90601 [2], and item 14)
6	68584	2	Label – Warning/Caution, Spreaders	19	78098	1	Feed Gate Detent Bracket (incl. 78028 w/fasteners; item 23)
7	96038	4	Wing Bolt	ns	66438	4	3/8-16 x 1-1/2 Hex Cap Screw
8	93010	6	7/16 Linchpin	20	78109	2	Mounting Bar (incl. 78056, 90380 [2], and items 14 [2], 15 [2])
9	78097	6	Washer 2.5 OD x 1.53 ID SS	ns	78242	1	Poly Hopper Collar Hardware Kit
10	65224	3	Strap, Rubber Hold-Down Assembly	21	78177	1	Sprocket Shield Kit
ns	61246	1	Cable Boot	22	78262	2	Chute Attachment Sleeve Kit
ns	8289	1	Boot Bracket	23	93042	1	3/16 Linchpin
ns	96375	1	3/8 x 1 Sheet Metal Screw				
11	78118	1	Feed Gate Assembly Kit, Poly Hopper (incl. 78093, 90601)				
12	78119	3	Hopper Mounting Bracket (PS)				
ns = not shown				SS = Stainless Steel			

ICE CHASER™ HOPPER SPREADER

DRIVE COMPONENTS



ICE CHASER™ HOPPER SPREADER

Drive Components							
Item	Part	Qty	Description	Item	Part	Qty	Description
1	78124	1	Chute Cover	41	95076	4	1/4 x 2-3/4 Machine Key
2	78287	1	Chute Motor Cover	42	65174	1	1/4 x 1-1/2 Machine Key
3	78300	1	Motor 12V DC 1/3 hp (incl. item 5)	43	65609	2	5/8-11 x 6 Take-Up Bolt SS
4	78298	1	Idler Kit	44	91435	4	5/8-11 Hex Nut
5	93101	1	10-Tooth Cogged Belt Pulley	45	78192	1	Sill 7'
6	78285	1	Gear Belt		78193	1	Sill 8'
7	76796	1	40-Tooth Cogged Belt Pulley 3/4 Bore	46	67155	2	5/16 Flat Washer SS
8	78297	1	Chute Motor Base Plate	47	78031	1	Chute Attachment Pin Bag (pkg of 2)
9	96167	2	Pillow Block Bearing 3/4 Bore	48	78076	1	Pintle Chain (99 Links)
10	90375	28	3/8-16 x 1 Carriage Bolt SS		94898	1	Pintle Chain (108 Links)
11	91282	18	3/8 Lock Washer SS	49	68492	AR	Conveyor Repair Bar w/Pins and Cotters
12	91431	7	3/8-16 Hex Nut SS				
13	78283	1	Spinner Shaft	50	68475	AR	Conveyor Repair Link w/Pins and Cotters
14	94424	1	Spinner, Poly				
15	91430	1	5/16-18 Hex Nut SS	51	41743	AR	Conveyor Chain Pin w/Cotter
16	94495	1	5/16-18 x 2-1/4 Hex Cap Screw SS	52	91897	AR	3/32 x 1/2 Cotter Pin
17	78301	1	Brace (DS)	53	78075	1	#40 Chain with Master Link
18	78302	1	Brace (PS)	54	95894	AR	#40 Chain Master Link
19	78294	1	Deflector	55	78102	1	Cab Control
20	90376	5	3/8-16 x 3/4 Hex Cap Screw SS	56	78201	1	Seal Kit
21	78130	1	Spinner Guard	57	66130	1	Grommet
22	78268	1	3/8 Well Nut Fastener Kit	58	78229-1	1	Full Chute Assembly
23	78270	1	1/4 Well Nut Fastener Kit	59	78247	2	Chute Handle Kit
24	95755-2	1	Motor 12V DC 1/2 hp	60	78262	4	Chute Attachment Sleeve Kit
25	95777	1	Sprocket, #40 x 11T x 5/8	61	78269	1	1/4 Well Nut (pkg of 2)
26	78057	1	Sprocket, #40 x 55T x 1	62	78267	1	3/8 Well Nut (pkg of 2)
27	95567	1	Gear Case 20:1	ns	78199	1	CHMSL Harness Kit
28	68345	10	3/8-16 x 1-1/2 Carriage Bolt SS	ns	29217	1	Vehicle Power Cable
29	91284	4	1/2 Spring Lock Washer SS	ns	48808	1	Spreader Power Cable
30	68360	4	1/2-13 x 3/4 Button Cap Screw	ns	29221	1	Vehicle-Side Control Harness
31	78131	1	Chain Guard (DS Rear)	ns	78103	1	Wiring – Module to Motor
32	78132	1	Chain Guard (PS Rear)	ns	78104	1	Wiring – Module to Spinner Connector
33	78178-1	1	Control Module – Dual Motor	ns	78105	1	Wiring – Spinner Connector to Spinner Motor
34	78108	1	Module Cover				
35	90556	4	5/16-18 x 1 Carriage Bolt	ns	95836	1	Fuse, 100A
36	91350	4	5/16-18 Hex Locknut GB SS	ns	95837	1	Fuse Holder
37	90381	2	1/4-20 x 3/4 Hex Cap Screw SS	ns	22511K	1	22" Battery Cable
38	94536	3	1-1/8 Bearing, 2-Bolt Flange	ns	78246	1	Control Bracket Kit
39	65909	4	Drive Sprocket, 6T	ns	61548K	1	Plug Cover Kit
40	94351	1	Idler Shaft	ns	78266	1	Chain Wiper Kit

ns = not shown

SS = Stainless Steel

AR = As Required

G = Grade

See page 6 for Accessories parts list.

ICE CHASER™ HOPPER SPREADER

Accessories							
Item	Part	Qty	Description	Item	Part	Qty	Description
ns	78197	1	License Plate Light Kit	ns	78204	1	Vehicle-Side Harness Kit
ns	78198	1	Work Light Kit	ns	78195	1	Vibrator Kit
ns	78120	1	Inverted V Kit, 8' Models	ns	78150	1	Inverted V Kit, 7' Models
ns = not shown							

Copyright © 2019 Douglas Dynamics, LLC. All rights reserved. This material may not be reproduced or copied, in whole or in part, in any printed, mechanical, electronic, film, or other distribution and storage media, without the written consent of Blizzard. Authorization to photocopy items for internal or personal use by Blizzard outlets or spreader owner is granted.

Blizzard reserves the right under its product improvement policy to change construction or design details and furnish equipment when so altered without reference to illustrations or specifications used. Blizzard or the vehicle manufacturer may require or recommend optional equipment for spreaders. Do not exceed vehicle ratings with a spreader. Blizzard offers a limited warranty for all spreaders and accessories. See separately printed page for this important information. The following are registered (®) or unregistered (™) trademarks of Douglas Dynamics, LLC: BLIZZARD®, ICE CHASER™.

Printed in U.S.A.