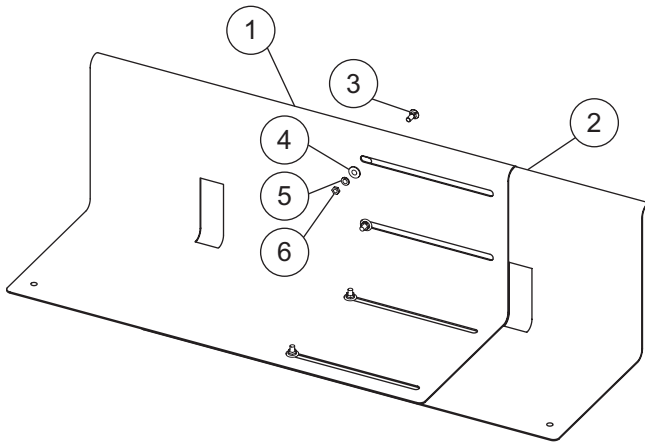
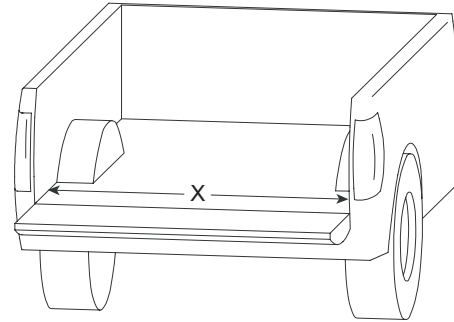


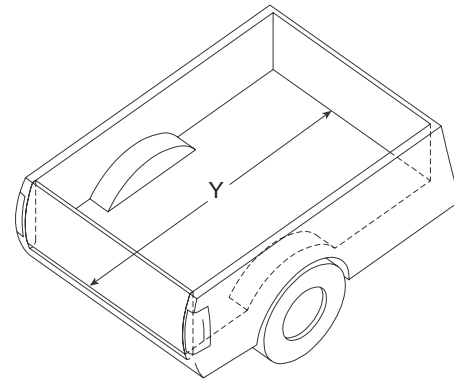
**PARTS LIST**



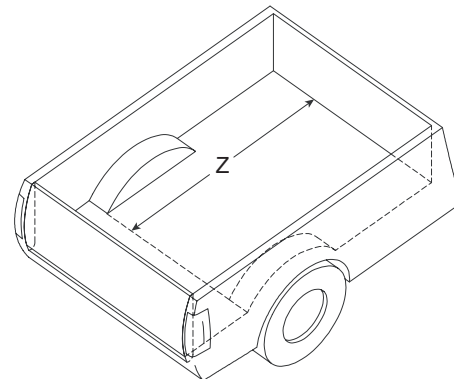
1. Measure distance X behind the wheel wells as shown below.



2. With the tailgate up, measure distance Y.



3. Measure distance Z as shown.



4. Measure and cut 2" x 4" lengths of lumber to the specified sizes as shown in the table below.

\* The dimensions given are for finished 2" x 4" lumber. Allow for variations in wood thickness on items 1, 2 and 4 if using rough cut lumber.

Item	Qty	Length
1*	2	X - 22"
2*	2	X - 25"
3	2	Y - 1"
4*	2	Z - 1"

62849 Ballast Retainer Kit			
Item	Part	Qty	Description
1	*	1	Ballast Retainer DS
2	*	1	Ballast Retainer PS
ns	62854	1	Ballast Retainer Bolt Bag
62854 Ballast Retainer Bolt Bag			
3	90201	4	3/8-16 x 1 Carriage Bolt G5
4	90315	4	3/8 Flat Washer
5	91282	4	3/8 Spring Lock Washer
6	91413	4	3/8-16 Hex Nut G5
ns = not shown		* Available as part of kit only.	

**INSTALLATION INSTRUCTIONS**

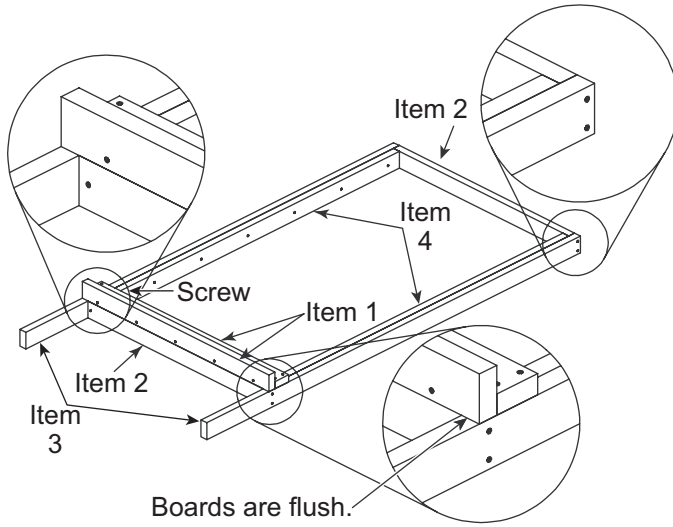
**NOTE:** The ballast retainer kit is for plow vehicles requiring ballast (additional weight) in the bed of the truck. Refer to the Kit Selection Guide/ Selection List for the correct amount of ballast requirement with this retainer and subtract 65 lb. for the weight of the retainer. Sand bags are recommended for additional weight.

**Wood Frame**

Materials Required: 8 2" x 4" x 8' Pieces of Lumber  
33 2-1/2" Wood Screws

*Materials for wood frame are not included with this kit.*

- Assemble the wood frame using the 2-1/2" wood screws.



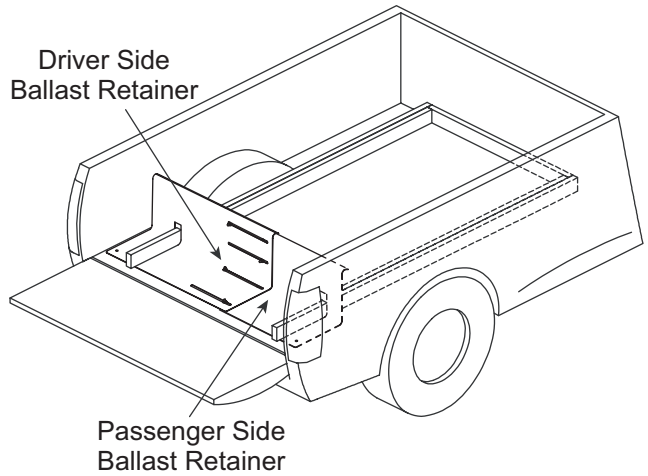
**Ballast Retainer**

- Assemble the driver-side ballast retainer to the curb-side with the driver-side on top, using a 3/8" carriage bolt through each slot. Secure with a plain washer, a lock washer, and a hex nut on each bolt. (See the Parts List Diagram on Page 1.) Hand tighten these fasteners to allow for sliding of the two retainers in the following step.

**⚠ CAUTION**  
**Install the base carriage bolts from the bottom upwards to avoid damaging the truck bed.**

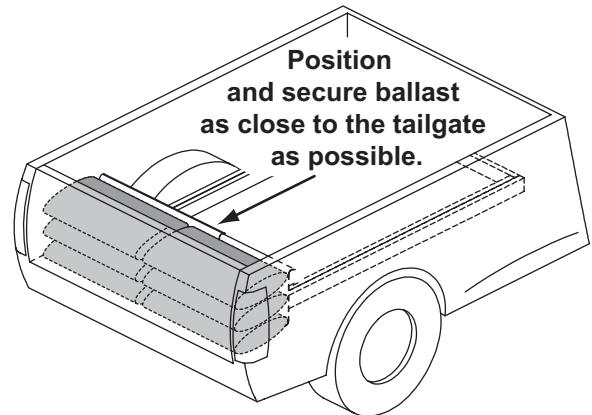
- Place the subassembled ballast retainer into the truck bed and position it behind the wheel wells. Slide the two sides apart to the width of the truck bed (distance X from Page 1.)

- Lift the front of the ballast retainer. Slide the wood frame through the holes in the ballast retainer and set it into the truck bed as shown below.



- Tighten all of the fasteners. There is no need to secure the assembled wood frame, or the ballast retainer to the bed of the truck.

**NOTE: Place the additional weight (sand bags are recommended) on the base of the ballast retainer between it and the tailgate of the truck.**



**NOTE: Ballast recommended and its weight calculations assume the entire width of the bed is filled as close to the tailgate as possible.**

Copyright © 2007 Douglas Dynamics, L.L.C. All rights reserved. This material may not be reproduced or copied, in whole or in part, in any printed, mechanical, electronic, film or other distribution and storage media, without the written consent of the company. Authorization to photocopy items for internal or personal use by the company's outlets or snowplow owner is granted.

The company reserves the right under its product improvement policy to change construction or design details and furnish equipment when so altered without reference to illustrations or specifications used. This equipment manufacturer or the vehicle manufacturer may require or recommend optional equipment for snow removal. Do not exceed vehicle ratings with a snowplow. The company offers a limited warranty for all snowplows and accessories. See separately printed page for this important information.