



# B32214

## UNDERCARRIAGE KIT

Dodge Dakota	1987 - 04
Dodge Durango	1998 - 03

### Parts List & Installation Instructions

**⚠ CAUTION**

Read this document before installing the snowplow.

**⚠ CAUTION**

See your BLIZZARD® outlet/Web site for specific vehicle application recommendations before installation. The Undercarriage Selection Guide has specific vehicle and snowplow requirements.

# SAFETY

## SAFETY DEFINITIONS

### ⚠ WARNING

Indicates a potentially hazardous situation that, if not avoided, could result in death or serious personal injury.

### ⚠ CAUTION

Indicates a potentially hazardous situation that, if not avoided, may result in minor or moderate injury. It may also be used to alert against unsafe practices.

**NOTE:** Indicates a situation or action that can lead to damage to your snowplow and vehicle or other property. Other useful information can also be described.

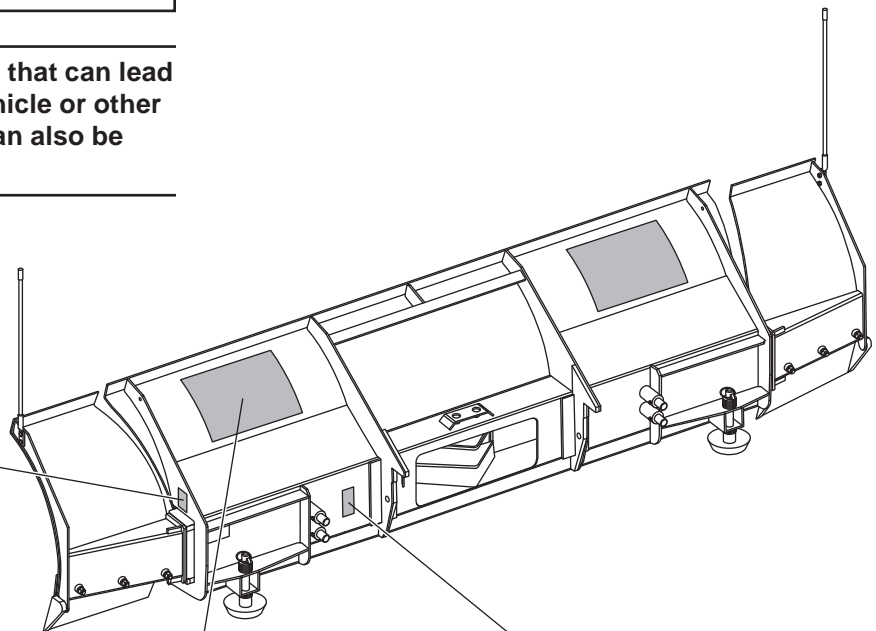
## WARNING/CAUTION & INSTRUCTION LABELS

Become familiar with and inform users about the warning and instruction labels on the back of the blade.

**NOTE:** If labels are missing or cannot be read, see your sales outlet.



**POWER PLOW™ and SPEEDWING™ Blades Only (both sides)**



ATTACH	⚠ WARNING: Keep fingers away from snowplow and truck attachment points. POWER HITCH™ arm raises behind undercarriage pushbeam.	DETACH
<ol style="list-style-type: none"> <li>Slowly drive vehicle forward to engage mount adapter into A-frame.</li> <li>Turn power switch to center or "OFF" position.</li> <li>Plug in electrical harnesses.</li> <li>Push and hold power switch RIGHT and push UP and hold arm/blade operation switch. Arm will engage mount adapter and pull snowplow towards vehicle.</li> <li>Install both hitch pins. Hitch pin is fully engaged when pin handle is against the pin guide plate.</li> <li>While holding power switch RIGHT, push DOWN and hold arm/blade operation switch. Arm will disengage mount adapter to relieve tension on the stand.</li> <li>Pull and raise the stand until the stand pin seats into upper hole on the A-frame.</li> <li>Turn power switch to left or "Flowing" position.</li> </ol>		<ol style="list-style-type: none"> <li>Lower snowplow onto ground with blade straight. Turn plow control in cab to "OFF" position.</li> <li>Turn power switch to center or "OFF" position.</li> <li>While holding the power switch RIGHT, push DOWN and hold the arm/blade operation switch. Arm will disengage mount adapter to relieve tension on the stand.</li> <li>Pull and lower the stand until stand pin seats into lower hole on the A-frame and stand and light tower side plates contact.</li> <li>Push and hold power switch RIGHT and push UP the arm/blade operation switch. Arm will engage mount adapter and pull snowplow tightly to vehicle.</li> <li>Remove both hitch pins.</li> <li>While holding power switch RIGHT, push DOWN and hold arm/blade operation switch to fully lower arm.</li> <li>Unplug electrical harnesses.</li> </ol>
<p><b>POWER HITCH™</b> </p> <p>Read Owner's Manual for Complete Instructions.</p> <p><small>U.S. Patents 5,420,480; 5,638,615; 5,899,007; 6,178,669; 6,253,470; 6,276,076; 6,393,737; 6,408,549; 6,412,199; 6,442,877; 6,615,513; 7,134,227; RE 35,700; CAN Patents 2,660,425; 2,194,922; 2,220,743; 2,250,503; 2,353,145; 2,358,324; 2,469,190; and other patents pending.</small></p>		

# SAFETY

## SAFETY PRECAUTIONS

Improper installation and operation could cause personal injury and/or equipment and property damage. Read and understand labels and the Owner's Manual before installing, operating or making adjustments.

### **⚠ WARNING**

**Lower blade when vehicle is parked. Temperature changes could change hydraulic pressure, causing the blade to drop unexpectedly or damaging hydraulic components. Failure to do this could result in serious personal injury.**

### **⚠ WARNING**

**The driver shall keep bystanders clear of the blade when it is being raised, lowered or angled. Do not stand between the vehicle and the blade or within 8 feet of a moving blade. A moving or falling blade could cause personal injury.**

### **⚠ WARNING**

**Keep hands and feet clear of the blade and A-frame when mounting or removing the snowplow. Moving or falling assemblies could cause personal injury.**

### **⚠ WARNING**

**Do not exceed GVWR or GAWR including the blade and ballast. The rating label is found on the driver-side vehicle door cornerpost.**

### **⚠ WARNING**

**To prevent accidental movement of the blade, always turn the ON/OFF switch to OFF whenever the snowplow is not in use. The control indicator light will turn off.**

### **⚠ WARNING**

**Remove blade assembly before placing vehicle on hoist.**

### **⚠ CAUTION**

**Refer to the Undercarriage Selection Guide for minimum vehicle recommendations and ballast requirements.**

## PERSONAL SAFETY

- Remove ignition key and put the vehicle in park or in gear to prevent others from starting the vehicle during installation or service.
- Wear only snug-fitting clothing while working on your vehicle or snowplow.
- Do not wear jewelry or a necktie, and secure long hair.
- Wear safety goggles to protect your eyes from battery acid, gasoline, dirt and dust.
- Avoid touching hot surfaces such as the engine, radiator, hoses and exhaust pipes.
- Always have a fire extinguisher rated BC handy, for flammable liquids and electrical fires.

## FIRE AND EXPLOSION

### **⚠ WARNING**

**Gasoline is highly flammable and gasoline vapor is explosive. Never smoke while working on vehicle. Keep all open flames away from gasoline tank and lines. Wipe up any spilled gasoline immediately.**

Be careful when using gasoline. Do not use gasoline to clean parts. Store only in approved containers away from sources of heat or flame.

## CELL PHONES

A driver's first responsibility is the safe operation of the vehicle. The most important thing you can do to prevent a crash is to avoid distractions and pay attention to the road. Wait until it is safe to operate Mobile Communication Equipment such as cell phones or two-way radios.

## VENTILATION

### **⚠ WARNING**

**Vehicle exhaust contains lethal fumes. Breathing these fumes, even in low concentrations, can cause death. Never operate a vehicle in an enclosed area without venting exhaust to the outside.**

# TORQUE SPECIFICATIONS

## TORQUE CHART

### ⚠ CAUTION

Read instructions before assembling. Fasteners should be finger tight until instructed to tighten according to the torque chart. Use standard methods and practices when attaching snowplow including proper personal protective safety equipment.



Grade Identification for J429-Grade 5 Bolt



Grade Identification for J429-Grade 8 Bolt

SAE J429 Grade 5 Torque Values				SAE J429 Grade 8 Torque Values			
Nominal Thread Size	Clamp Loads (lb)	Tightening Torque		Nominal Thread Size	Clamp Loads (lb)	Tightening Torque	
		"Lubricated"	"Dry"			"Lubricated"	"Dry"
1/4-20	2,000	6 ft-lb	8 ft-lb	1/4-20	2,850	9 ft-lb	12 ft-lb
5/16-18	3,350	13 ft-lb	18 ft-lb	5/16-18	4,700	18 ft-lb	25 ft-lb
3/8-16	4,950	23 ft-lb	31 ft-lb	3/8-16	6,950	32 ft-lb	44 ft-lb
7/16-14	6,800	37 ft-lb	50 ft-lb	7/16-14	9,600	53 ft-lb	70 ft-lb
1/2-13	9,050	57 ft-lb	75 ft-lb	1/2-13	12,800	80 ft-lb	107 ft-lb
9/16-12	11,600	82 ft-lb	109 ft-lb	9/16-12	16,400	115 ft-lb	154 ft-lb
5/8-11	14,500	113 ft-lb	151 ft-lb	5/8-11	20,300	159 ft-lb	211 ft-lb
3/4-10	21,300	200 ft-lb	266 ft-lb	3/4-10	30,100	282 ft-lb	376 ft-lb
7/8-9	29,435	321 ft-lb	430 ft-lb	7/8-9	41,550	454 ft-lb	606 ft-lb
1-8	38,600	482 ft-lb	640 ft-lb	1-8	54,540	680 ft-lb	900 ft-lb



Grade Identification for Metric-Grade 8.8 Bolt



Grade Identification for Metric-Grade 10.9 Bolt

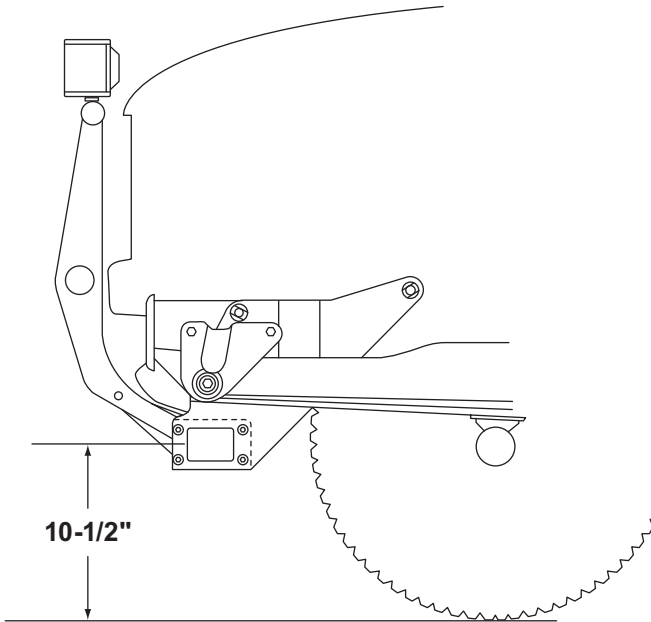
Metric Class 8.8 Torque Values				Metric Class 10.9 Torque Values			
Diameter (mm)	Clamp Loads (lb)	Tightening Torque		Diameter (mm)	Clamp Loads (lb)	Tightening Torque	
		"Lubricated"	"Dry"			"Lubricated"	"Dry"
5	1,389	3 ft-lb	5 ft-lb	5	1,987	5 ft-lb	7 ft-lb
6	1,965	6 ft-lb	8 ft-lb	6	2,812	8 ft-lb	11 ft-lb
7	2,826	10 ft-lb	13 ft-lb	7	4,044	14 ft-lb	19 ft-lb
8	3,579	14 ft-lb	19 ft-lb	8	5,121	20 ft-lb	27 ft-lb
10	5,672	28 ft-lb	37 ft-lb	10	8,116	40 ft-lb	53 ft-lb
12	8,243	49 ft-lb	65 ft-lb	12	11,796	70 ft-lb	92 ft-lb
14	11,246	77 ft-lb	103 ft-lb	14	16,092	111 ft-lb	148 ft-lb
16	15,882	125 ft-lb	167 ft-lb	16	21,970	173 ft-lb	231 ft-lb
18	19,423	172 ft-lb	229 ft-lb	18	26,868	238 ft-lb	317 ft-lb
20	24,784	244 ft-lb	325 ft-lb	20	34,284	338 ft-lb	450 ft-lb

# PUSHBEAM

---

## PUSHBEAM HEIGHT

The recommended pushbeam height for this undercarriage assembly is 10-1/2" from the center of the pushbeam to level ground. DO NOT exceed 12-1/2" in height for this undercarriage.



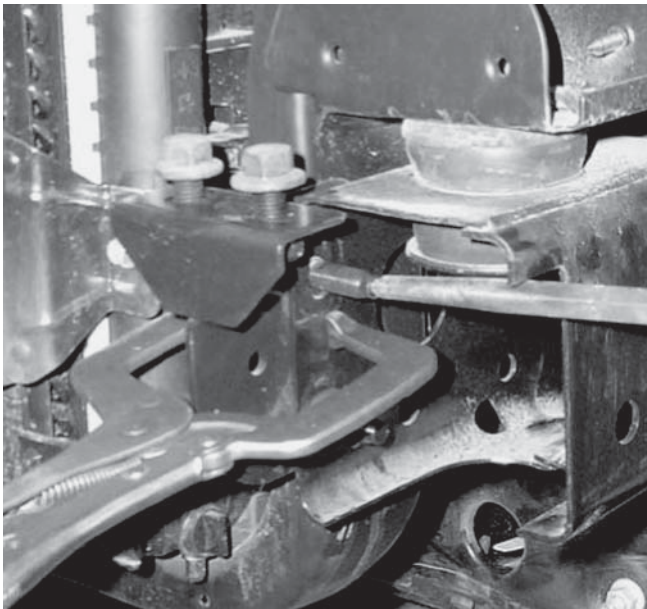
# UNDERCARRIAGE INSTALLATION

---

**NOTE:** For easier assembly and installation, vehicle and all snowplow components should be on a smooth, level, hard surface, such as concrete.

---

1. This undercarriage fits all models listed but the cross member connection will vary. Refer to step "a" for the 1987–96 Dodge Dakota, 1997–03 Dodge Dakota Sport, 1997–03 Dodge Dakota SLT Extended Cab and 1998–03 Dodge Durango SLT models. Refer to step "b" for the 1997–04 Dodge Dakota and 1998–03 Dodge Durango.
1. Disconnect the fog lamp harnesses if applicable, and then remove the bumper.
  - a. Remove the bumper mount plates from in between the frame rail and radiator. Discard the mount plate hardware.
  - b. Permanently remove the air dam from the truck frame cross member. Remove the fasteners that are pressed into the bumper bracket on the frame rail. Secure the bracket and frame wall with locking pliers and then use a hammer to punch out the fasteners.



2. Position each hanger plate (**Item 6**):
  - a. Between the inside of the truck frame rail and bumper mount plate. Align the holes on the plates with the holes in the frame. Secure with cap screws (**Item 12**) and washers (**Item 13**) through each hole. Finger tighten the fasteners until all undercarriage parts are in place.

---

**NOTE:** Each hole contains a welded nut on the inside of the truck frame rail.

---

---

**NOTE:** The Dakota Sport, Dakota SLT Extended Cab and Durango SLT require cap screws (**Item 9**) washers (**Item 10**) and locknuts (**Item 11**).

---

- b. Between the bumper bracket and engine radiator support. Align the holes in the plates with those in the frame. Secure with cap screws (**Item 9**), washers (**Item 10**) and locknuts (**Item 11**). Finger tighten the fasteners until all undercarriage parts are in place.
3. Use a floor jack and position the pushbeam (**Item 1**) between the hanger plates and in-line with the vehicle cross member.
  - a. This model will use the attached support arms.
  - b. This model will require the use of the reinforcement plates (**Item 7 and 8**). Secure these plates to the inside of the support arms with cap screws (**Item 9**), washers (**Item 10**) and locknuts (**Item 11**).
4. Secure the pushbeam to the cross member with hex cap screw with handle (**Item 14**), washers (**Item 10**) and locknuts (**Item 11**).

---

**NOTE:** Use the access holes to help position the hex cap screws with handle through the cross member correctly.

---

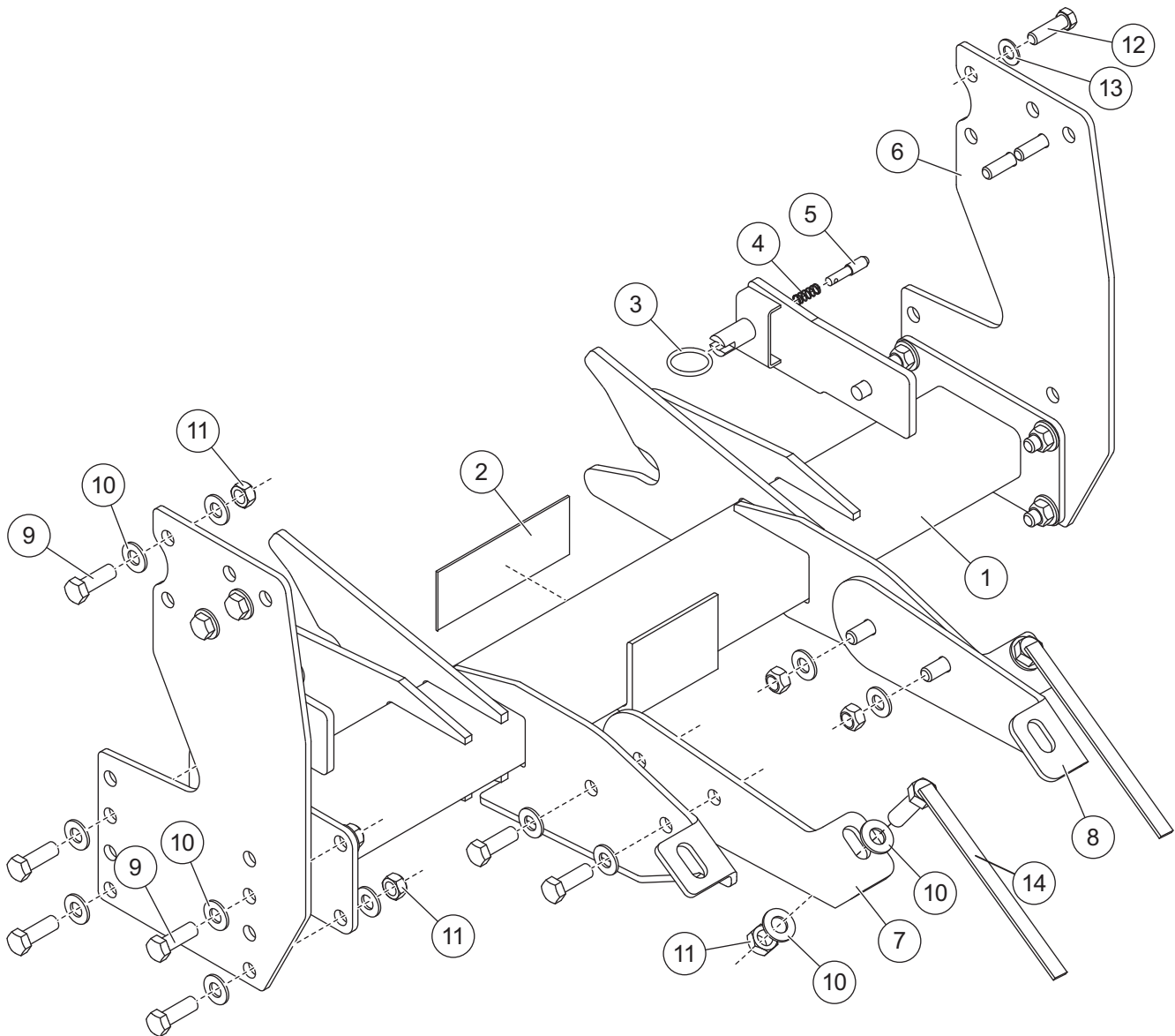
5. Mount the pushbeam square with the bottom of each hanger plate using cap screws (**Item 9**), washers (**Item 10**) and locknuts (**Item 11**). Torque the pushbeam to hanger plate hardware according to the torque chart.
6. Level the pushbeam with the floor and tighten the hanger plate to frame and cross member hardware according to the torque chart.
7. Replace the bumper using existing hardware. Reconnect the fog lamp harnesses if applicable.

---

**NOTE:** After five to ten hours of snowplow usage, retorque all undercarriage assembly fasteners.

---

# UNDERCARRIAGE PARTS LIST



<b>B32214 Undercarriage Kit</b>							
Item	Part	Qty	Description	Item	Part	Qty	Description
1	B32168	1	Pushbeam	7	B32226	1	Pushbeam Reinforcement – DS
2	B63162	1	Decal, Pushbeam	8	B32225	1	Pushbeam Reinforcement – PS
3	B61309	2	Split Ring, 1.25 OD	14	21590	2	1/2-13 x 1-1/2 Hex Cap Screw G5 w/Handle
4	B61000	2	Compression Spring, SS	ns	B61367	1	Hardware Kit
5	B40079	2	A-Frame Latch Pin				
6	B32076	2	Hanger Plate				
<b>B61367 Hardware Kit</b>							
9	90210	18	1/2-13 x 1-1/2 Hex Cap Screw G5	12	90177	6	7/16-14 x 1-1/2 Hex Cap Screw G5
10	90572	40	1/2 Hardened Flat Washer	13	29232	6	7/16 Hardened Flat Washer
11	90593	20	1/2-13 Hex Locknut GC				
ns = not shown			G = Grade	SS = Stainless Steel			



Blizzard  
PO Box 245038  
Milwaukee, WI 53224-9538  
[www.blizzardplows.com](http://www.blizzardplows.com)

 A DIVISION OF DOUGLAS DYNAMICS, L.L.C.

Copyright © 2009 Douglas Dynamics, L.L.C. All rights reserved. This material may not be reproduced or copied, in whole or in part, in any printed, mechanical, electronic, film or other distribution and storage media, without the written consent of Blizzard. Authorization to photocopy items for internal or personal use by Blizzard outlets or snowplow owner is granted.

Blizzard reserves the right under its product improvement policy to change construction or design details and furnish equipment when so altered without reference to illustrations or specifications used. Blizzard or the vehicle manufacturer may require or recommend optional equipment for snow removal. Do not exceed vehicle ratings with a snowplow. Blizzard offers a limited warranty for all snowplows and accessories. See separately printed page for this important information. The following is a registered (®) trademark of Douglas Dynamics, L.L.C.: BLIZZARD®.

**Printed in U.S.A.**