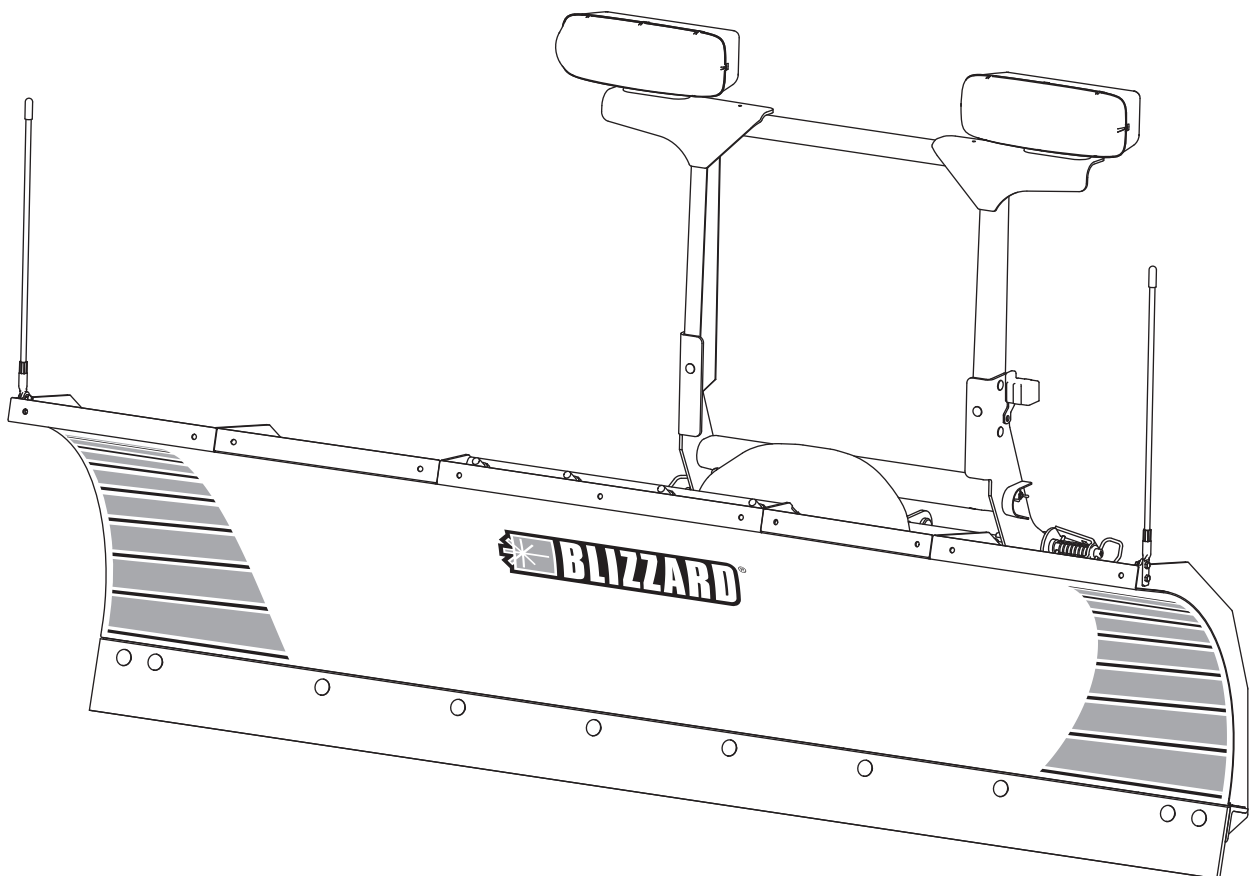


# **BLIZZARD**® **SNOWPLOWS**

## **Straight Blade Snowplows**

**Model 7600HD, 8000HD, 8600HD & 9000HD  
Blade Crate Assembly**

### **Parts List**





**BLADE COMPONENTS** ..... 4

**OFF-TRUCK COMPONENTS** ..... 6

    Pivot Beam, Light Tower and A-Frame ..... 6

    Hydraulic Unit..... 10

    Lift and Angle Rams ..... 12

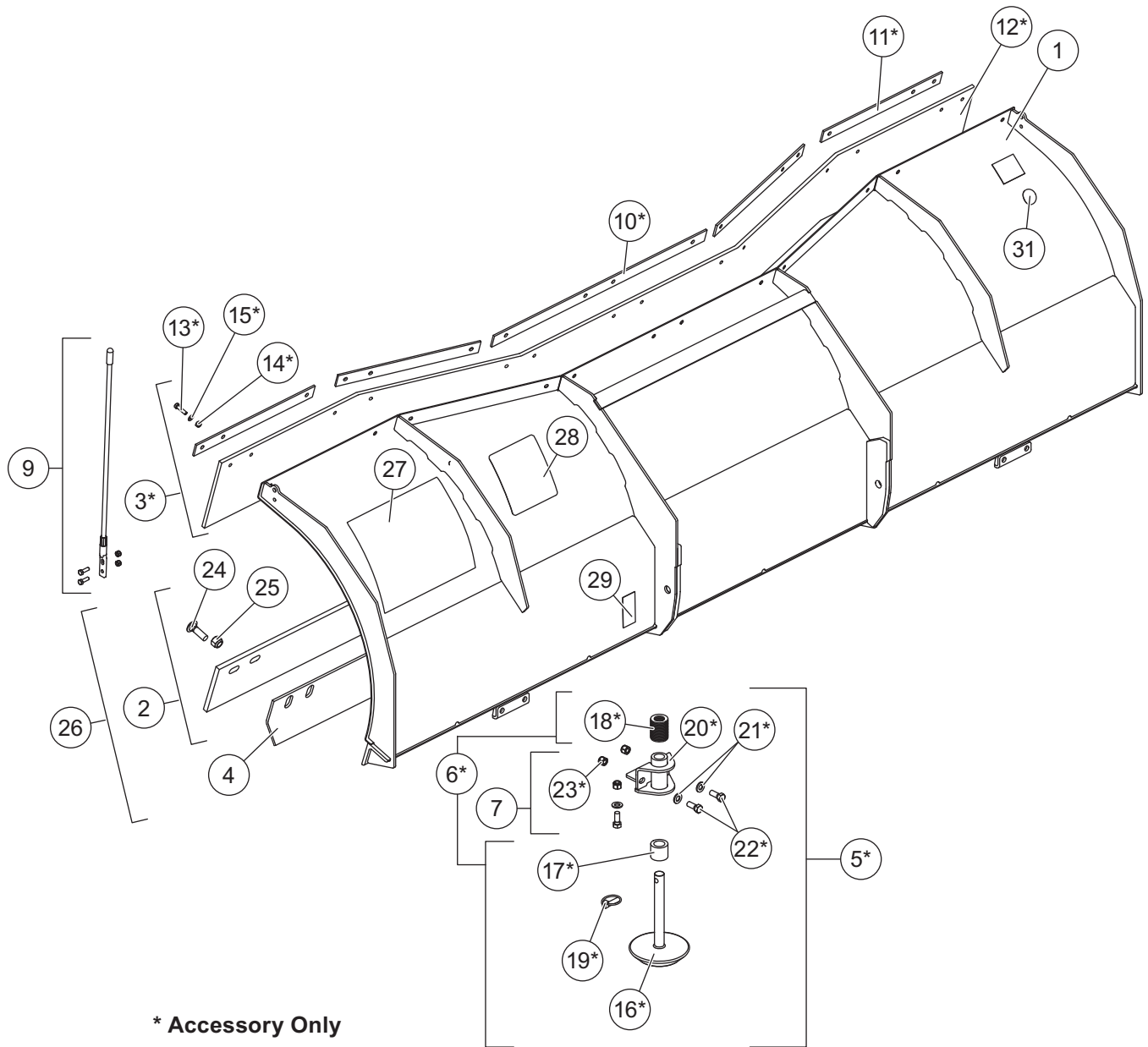
    Hoses and Fittings ..... 12

    Electrical Components..... 13

    Vehicle-Side Wiring Diagram, 3-Port, 2-Plug Systems ..... 14

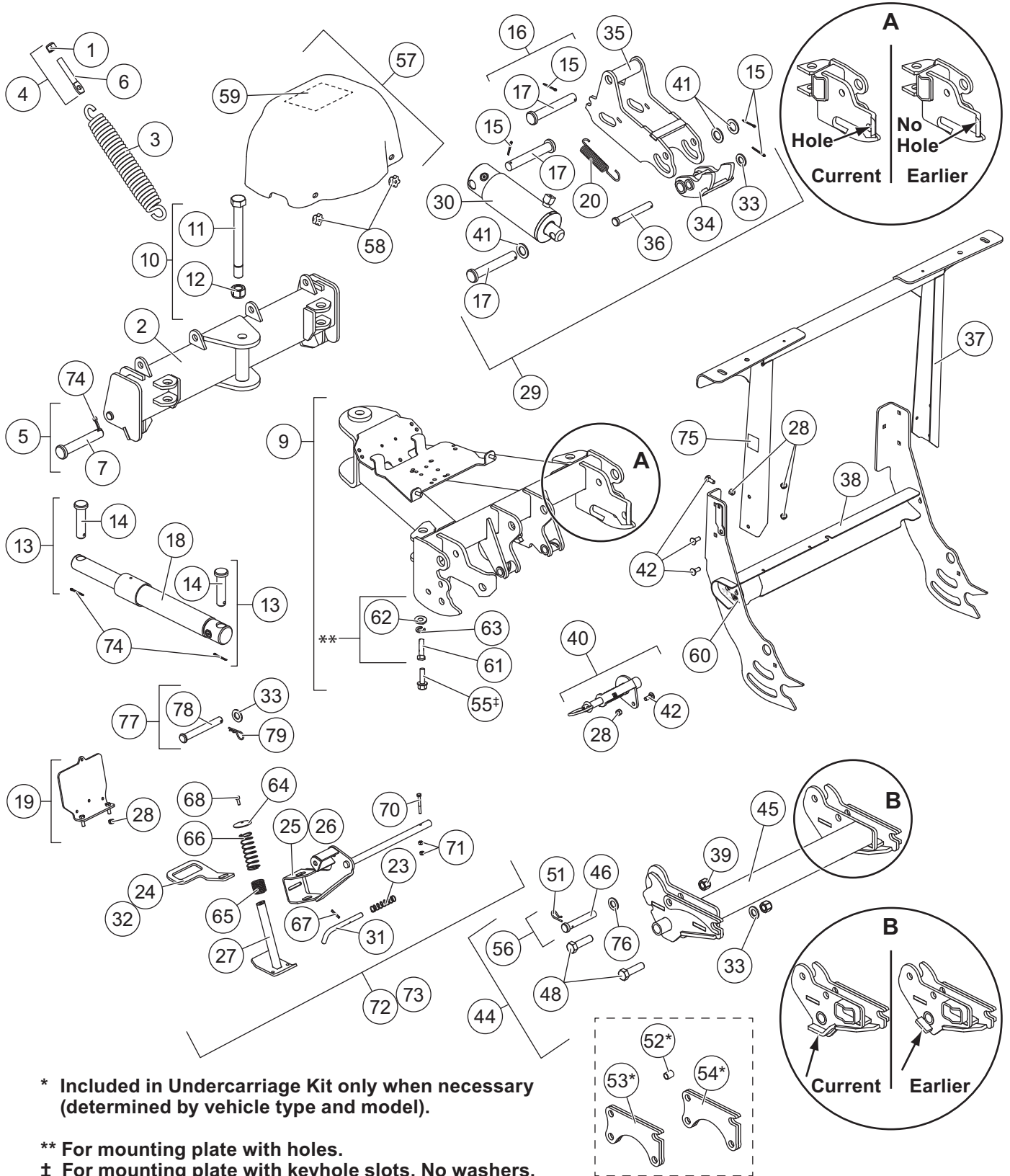
    Headlamp Kit ..... 15

Blade Components





Pivot Beam, Light Tower and A-Frame Components



\* Included in Undercarriage Kit only when necessary (determined by vehicle type and model).

\*\* For mounting plate with holes.

† For mounting plate with keyhole slots. No washers.

**7600HD, 8000HD, 8600HD, 9000HD**

<b>Pivot Beam, Light Tower and A-Frame Components</b>							
<b>Item</b>	<b>Part</b>	<b>Qty</b>	<b>Description</b>	<b>Item</b>	<b>Part</b>	<b>Qty</b>	<b>Description</b>
1	91337	4	5/8-11 Hex Locknut GB	29	41117	1	Draw Latch Assembly
2	41118	1	Pivot Beam	37	41124-1	1	Light Tower, Upper
3	23039	4	Trip Spring	38	41125-1	1	Light Tower, Lower
4	50655	4	Eyebolt Kit	39	91338	4	3/4-10 Hex Locknut GB
5	41123	2	Pivot Pin w/Cotter	40	41129-1	2	Hitch Pin Kit
6	90490	4	5/8-11 x 4 Eyebolt G2	42	90201	8	3/8-16 x 1 Carriage Bolt G5
7	B50069	2	3/4 x 3 Pivot Pin	44	41237	1	Mount Adapter Assembly
9†	41235	1	A-Frame	52*	63212	2	Spacer
10	41119	1	Pivot Bolt Kit	53*	40514	2	Height Adjustment Plate – Tall
11	50605	1	1-8 x 9-1/2 Hex Cap Screw G5 SPL	54*	40515	2	Height Adjustment Plate – Short
12	91340	1	1-8 Hex Locknut G5 Special	55	48659	4	5/16-24 x 3/4 Hex Flange Bolt G5
13	41122	4	Pin Kit	56	40517-1	2	Receiver Hardware Kit
14	6816	4	1 x 4 Clevis Pin G5	57	40549	1	Cover Assembly
15	91911	4	5/32 x 1-1/2 Cotter Pin	60	48207	1	Label – POWER HITCH™ Switch ID
16	40547	3	Ram Pin Kit	61	66437	4	5/16-24 x 1 Hex Cap Screw G5
17	40458	3	1 x 6-1/2 Clevis Pin	62	90313	4	5/16 Flat Washer
18	41096	2	1-3/4 x 11-3/8 Ram Assembly	63	91202	4	5/16 Lock Washer
19	40548	1	Module Mounting Plate Kit	74	90601	6	1/4 x 1-1/2 Cotter Pin
28	91333	7	3/8-16 Hex Locknut GB	75	69689	1	Label – SECURITY GUARD™
<b>Item 29</b>				<b>41117 Draw Latch Assembly</b>			
15	91911	4	5/32 x 1-1/2 Cotter Pin	34	41104	1	Draw Latch Hook
17	40458	3	1 x 6-1/2 Clevis Pin	35	41105	1	Draw Latch
20	40660	2	Spring	36	48986	1	3/4 x 5-3/8 Clevis Pin HT
30	41095	1	3-1/2 x 5-1/2 Ram Assembly	41	91192	3	Flat Washer Special
33	91147	1	3/4 Flat Washer Narrow				
<b>Item 44</b>				<b>41237 Mount Adapter Assembly</b>			
33	91147	2	3/4 Flat Washer Narrow	48	66449	4	3/4-10 x 2-3/4 Hex Cap Screw G5
39	91338	4	3/4-10 Hex Locknut GB	51	42142	2	1/8 x 1-9/16 R-Pin Cotter
45		1	Mount Adapter	76	43133	2	3/4 Narrow Washer
46	40496	2	3/4 x 4-3/8 Clevis Pin				
<b>Item 57</b>				<b>40549 Cover Assembly</b>			
		1	Cover	59	48268	1	Label – Information, BD Straight
58	B61628	2	3/8-16 Clamping Knob				
<b>Item 72</b>				<b>48731 Stand Assembly – DS</b>			
23	27461	1	Compression Spring	65	67636	1	Stand Lock Spring
24	48733	1	Handle – DS	66	48715	1	Stand Return Spring
25	48730	1	Stand – DS	67	67700	1	3/16 x 1-1/4 Roll Pin
27	48728	1	Stand Shoe	68	90461	1	1/4-20 x 3/4 Hex Cap Screw G5
31	40662	2	Stand Pin	70	41101	1	1/4-20 x 2-1/4 Hex Cap Screw G8
64	69685	1	Stand Plunger Cap	71	91331	2	1/4-20 Hex Locknut GB
G = Grade				HT = Heat Treated			

\* The height adjustment plates are not included in the Crate Assembly Box, and are not required for all applications. When required, the correct plates are packaged and sold with the Undercarriage Kits.

‡ Earlier A-frames (without hole) must also replace Item 44 – Mount Adapter Assembly.

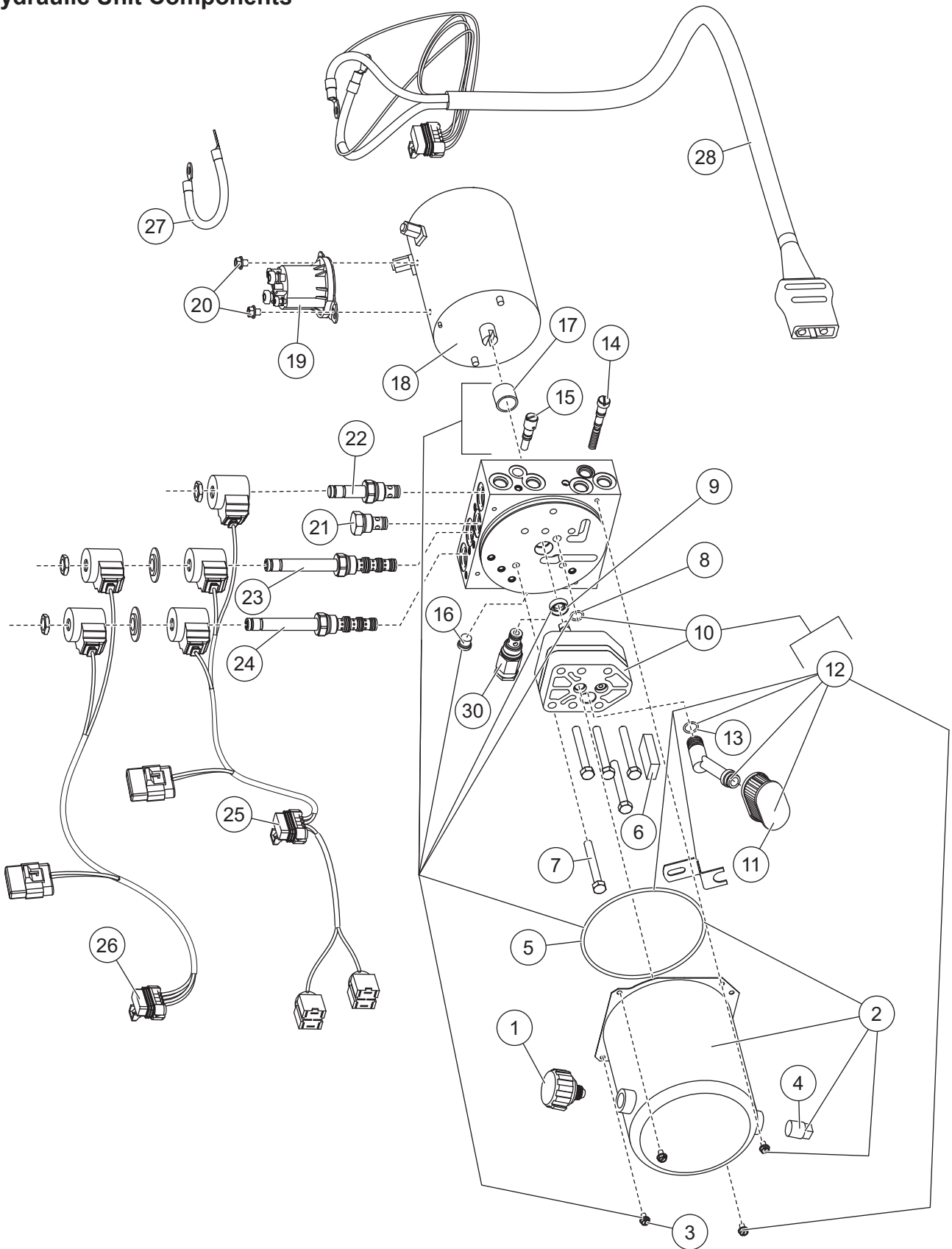
**7600HD, 8000HD, 8600HD, 9000HD**

<b>Pivot Beam, Light Tower and A-Frame Components</b>							
<b>Item</b>	<b>Part</b>	<b>Qty</b>	<b>Description</b>	<b>Item</b>	<b>Part</b>	<b>Qty</b>	<b>Description</b>
<b>Item 73</b>				<b>48732 Stand Assembly – PS</b>			
23	27461	1	Compression Spring	65	67636	1	Stand Lock Spring
26	48729	1	Stand – PS	66	48715	1	Stand Return Spring
27	48728	1	Stand Shoe	67	67700	1	3/16 x 1-1/4 Roll Pin
31	40662	2	Stand Pin	68	90461	1	1/4-20 x 3/4 Hex Cap Screw G5
32	48734	1	Handle – PS	70	41101	1	1/4-20 x 2-1/4 Hex Cap Screw G8
64	69685	1	Stand Plunger Cap	71	91331	2	1/4-20 Hex Locknut GB
<b>Item 77</b>				<b>48556 Transport Pin Kit</b>			
78	63354	1	3/4 x 6 Clevis Pin	79	91962	1	1/8 Hairpin Cotter
33	91147	1	3/4 Flat Washer				
G = Grade				HT = Heat Treated			



This page intentionally left blank.

Hydraulic Unit Components



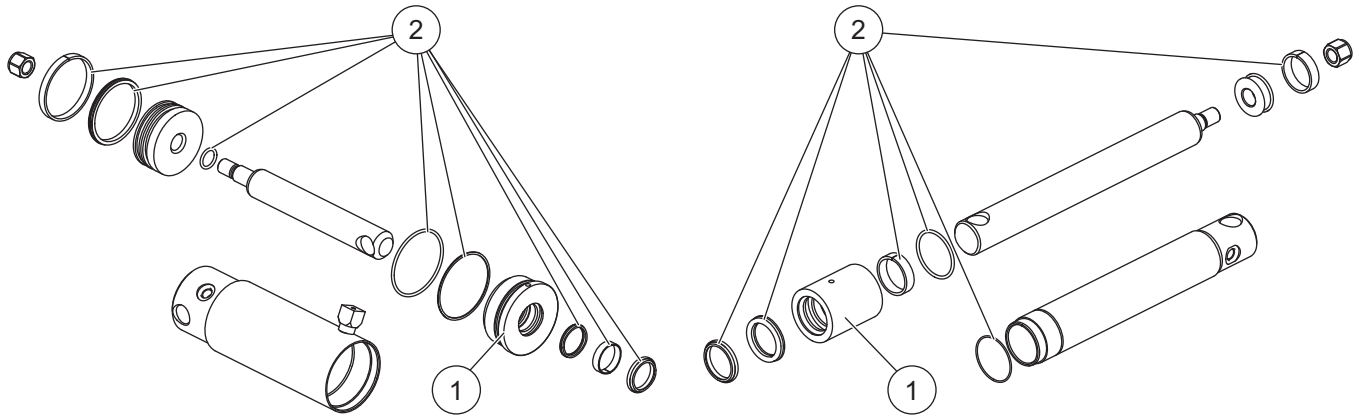
## 7600HD, 8000HD, 8600HD, 9000HD

<b>41120 Hydraulic Unit</b>							
Item	Part	Qty	Description	Item	Part	Qty	Description
1	48278	1	Breather	ns	48284	1	Bearing Repair Tool Kit w/Bearing
2	48279	1	Reservoir Kit	18	48285	1	Motor
3	66607	4	10-24 x 5/16 Machine Screw	19	42903	1	Motor Relay Kit, FLEET FLEX
4	92079	1	3/8 Plug NPTF Square	20	29099	2	1/4-20 x 1/4 Hex Washer-Head Thread-Rolling Screw
5	66519	1	O-Ring – 2-250	21	48287	1	Check Valve
6	73897	1	Magnet	22	48288	1	Valve, 2-Way NC w/Rev Flow
7	90080	5	5/16-18 x 2-1/2 Hex Cap Screw G5	23	48289	1	Valve, 4-Way, 3-Position
8	56274	1	O-Ring – 013	24	48291	1	Valve, 4-Way, 3-Position Closed Center
9	66515	1	Pump Shaft Seal	25	29849	1	Plow Control Harness, 3-Coil
ns	48302	1	Seal Repair Tool Kit w/Seal	26	29851	1	Plow Control Harness, 2-Coil
10	41090	1	Hydraulic Pump Kit	27	29071	1	Cable Assembly 8"
11	48281	1	Filter	28	48295	1	Snowplow Battery Cable
12	48316	1	Inlet Fitting/Filter Kit	29	41092	1	Manifold Assembly w/o Valves
13	56416	1	O-Ring – 014	30	41091	1	Relief Valve Kit
14	48283	1	Relief Valve (1 set)	ns		3	Fuse, 5-amp Mini Automotive Blade-Style (for items 25 and 26)
15	48241	1	Stem Assembly Needle Valve				
16	44344	1	7/16-20 Socket O-Ring Boss Plug				
17*	56364	1	Bearing Sleeve				
<b>O-Ring Service Kits</b>							
–	48301	–	O-Ring Kit	–	48310	–	Seal Kit – 2-Way Valves
–	48309	–	Seal Kit – 3-Way & 4-Way Valves				
ns = not shown				G = Grade			

\* Use 48284 tool to install.

Go to [www.blizzardplows.com](http://www.blizzardplows.com) for hydraulic unit service information and specifications.

**Lift and Angle Ram Components**

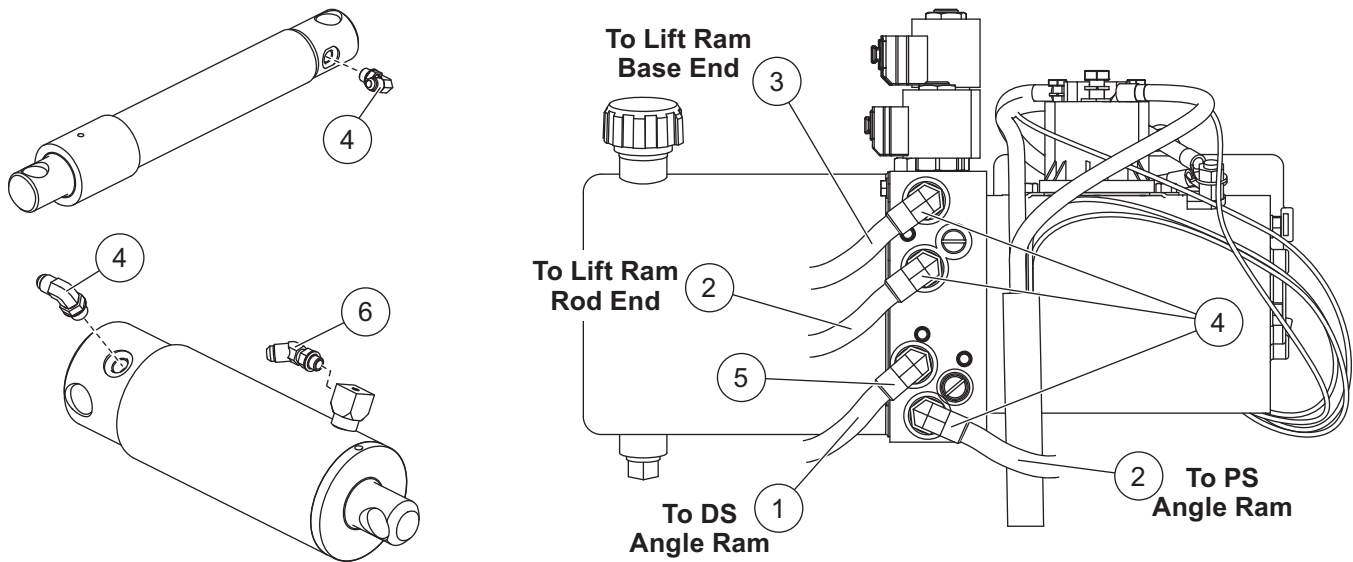


41095 Lift Ram Assembly 3-1/2 x 5-1/2			
Item	Part	Qty	Description
1	48358	1	Gland 1-1/2
2	41098	1	Seal Kit 3-1/2" DA Ram

41096 Angle Ram Assembly 1-3/4 x 11-3/8			
Item	Part	Qty	Description
1	50403	1	Gland 1-3/4
2	41097	1	Seal Kit 1-3/4

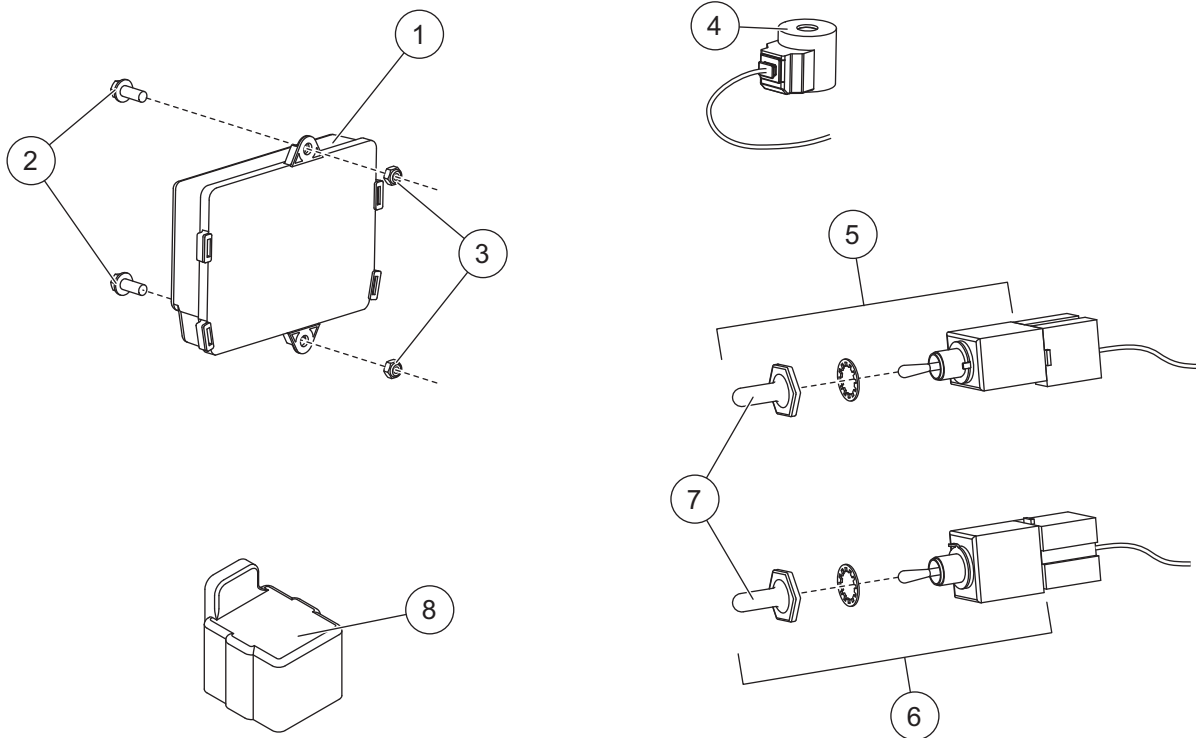
Go to [www.blizzardplows.com](http://www.blizzardplows.com) for hydraulic unit service information and specifications.

**Hoses and Fittings**



Hoses and Fittings							
Item	Part	Qty	Description	Item	Part	Qty	Description
1	41094	1	1/4 x 18 Hose w/FJIC Ends	5	40572	1	Elbow 90° Extra Long – 6M O-Ring/MJIC
2	40570	2	1/4 x 22 Hose w/FJIC Ends	6	41093	1	Elbow 45° 7/16-20 ORB x 9/16-18 MJIC
3	40569	1	1/4 x 16 Hose w/FJIC Ends				
4	40571	6	Elbow 90° – 6M O-Ring/MJIC				
F = Female				M = Male or Metric			

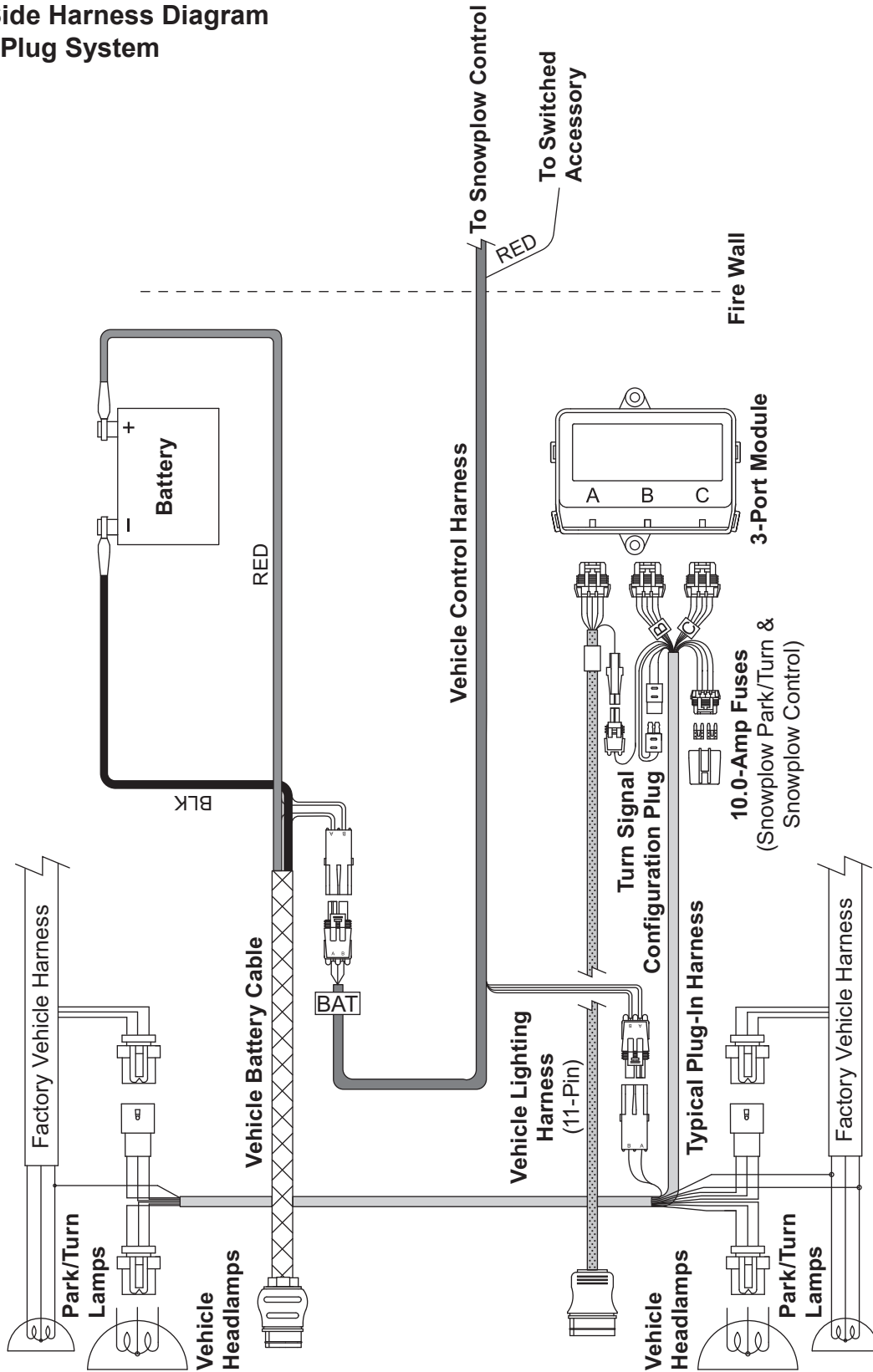
Electrical Components



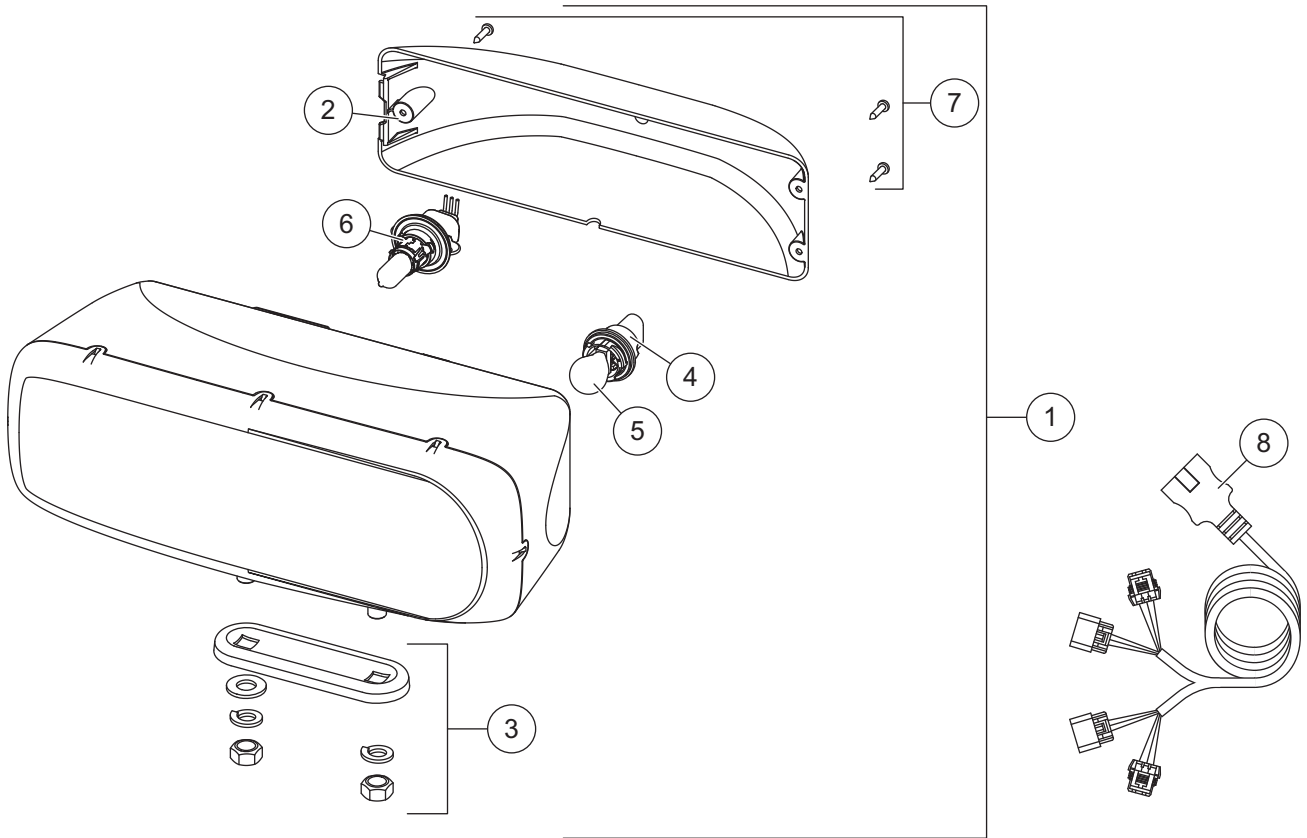
Plow-Side Electrical Components							
Item	Part	Qty	Description	Item	Part	Qty	Description
1	44354-3	1	Plow Module	6	40576	1	Toggle Switch (MOM-ON, OFF, MOM-ON)
2	44355	2	1/4-20 x 5/8 Hex Washer-Head Thread-Rolling Screw	7	48259	2	Switch Boot
3	91331	2	1/4-20 Hex Locknut GB	8	61246	1	Cable Boot
4	48294	5	Coil w/Wire Leads				
5	40575	1	Toggle Switch (MOM-ON, OFF, ON)				
Vehicle-Side Electrical Components							
*	42014	1	Vehicle Battery Cable	ns	48325	2	Plug Cover
*	28587	1	Vehicle Control Harness				
ns = not shown				G = Grade			

\* For diagram see Vehicle-Side Harness Diagram

Vehicle-Side Harness Diagram  
3-Port, 2-Plug System



Headlamp Kit



28800-1 Headlamp Kit (Pair)							
Item	Part	Qty	Description	Item	Part	Qty	Description
1	28801-1	1	Headlamp Service Kit, DS	5		2	Park/Turn Bulb (trade no. 4157NAK)
ns	28802-1	1	Headlamp Service Kit, PS	6	28806	2	H13 Headlamp Bulb Service Kit
2	28803-1	2	Rear Cover Kit (fits 2- or 3-screw)	7	28808-1	2	Cover Screws Service Kit (pkg of 3)
3	28804	2	Mounting Hardware Kit	8	28213K	1	Harness Service Kit
4	28805	2	Park/Turn Socket Service Kit				

ns = not shown



Blizzard  
PO Box 245038  
Milwaukee, WI 53224-9538  
[www.blizzardplows.com](http://www.blizzardplows.com)

 A DIVISION OF DOUGLAS DYNAMICS, L.L.C.

Copyright © 2012 Douglas Dynamics, L.L.C. All rights reserved. This material may not be reproduced or copied, in whole or in part, in any printed, mechanical, electronic, film or other distribution and storage media, without the written consent of Blizzard. Authorization to photocopy items for internal or personal use by Blizzard outlets or snowplow owner is granted.

Blizzard reserves the right under its product improvement policy to change construction or design details and furnish equipment when so altered without reference to illustrations or specifications used. Blizzard or the vehicle manufacturer may require or recommend optional equipment for snow removal. Do not exceed vehicle ratings with a snowplow. Blizzard offers a limited warranty for all snowplows and accessories. See separately printed page for this important information. The following are registered (®) or unregistered (™) trademarks of Douglas Dynamics, L.L.C.: BLIZZARD®, POWER HITCH™, POWER HITCH™ 2, SECURITY GUARD™.

**Printed in U.S.A.**