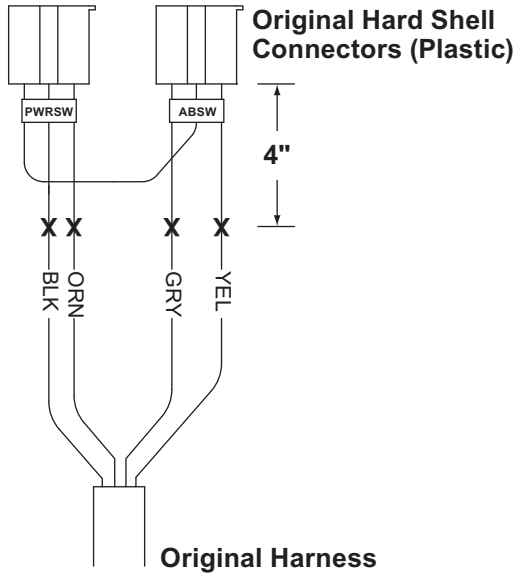


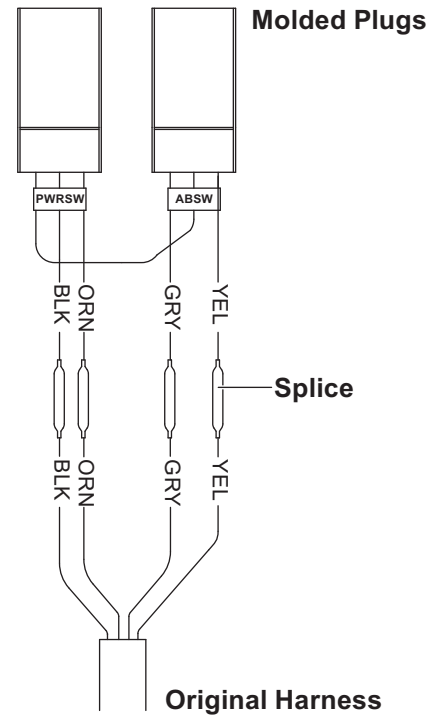
HARNESS SPLICE INSTRUCTIONS

1. Cut the four wires approximately 4" from the wire-side edge of the connector housings as shown. Discard the connectors.



2. Remove 3/8" of insulation from the ends of the cut harness wires.

3. Insert each harness wire into the splice attached to the replacement assembly wire of the same color.

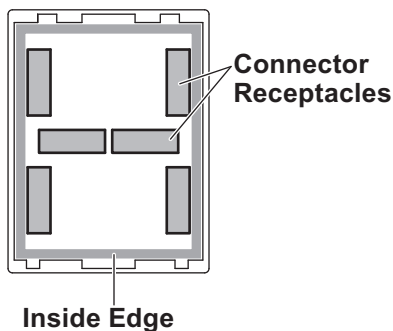


4. Crimp the harness side of each splice using an appropriate crimp tool. No wire strands should be visible outside of the splice.
5. Heat the splices with an appropriate heat source to shrink and seal the splice tubing. Allow the tubing to cool before handling.

SWITCH INSTALLATION INSTRUCTIONS

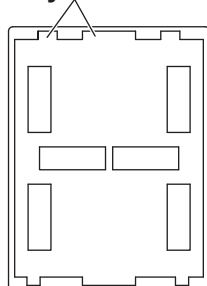
1. Prior to installing each switch, apply a liberal amount of the supplied dielectric grease to the six connector receptacles and along the inside edge of the plug hood, as shown in the illustration.

Apply Dielectric Grease to Shaded Regions

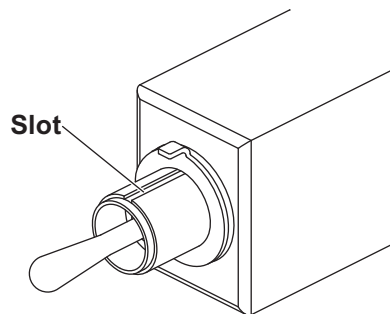


2. The plugs and switches are keyed to fit in the correct orientation. Ensure the body of the switch matches the plug before installing.

Key Slots



3. Install the switch from switch kit 40576 (Momentary ON-OFF-Momentary ON) into the plug with yellow and gray wires. The slot on the switch actuator shaft will line up with the yellow replacement plug wire.



4. Install the switch from switch kit 40575 (Momentary ON-OFF-ON) into the plug with orange and black wires. The slot on the switch actuator shaft will line up with the orange replacement plug wire.

The company reserves the right under its product improvement policy to change construction or design details and furnish equipment when so altered without reference to illustrations or specifications used. This equipment manufacturer or the vehicle manufacturer may require or recommend optional equipment for snow removal. Do not exceed vehicle ratings with a snowplow. The company offers a limited warranty for all snowplows and accessories. See separately printed page for this important information.

Printed in U.S.A.