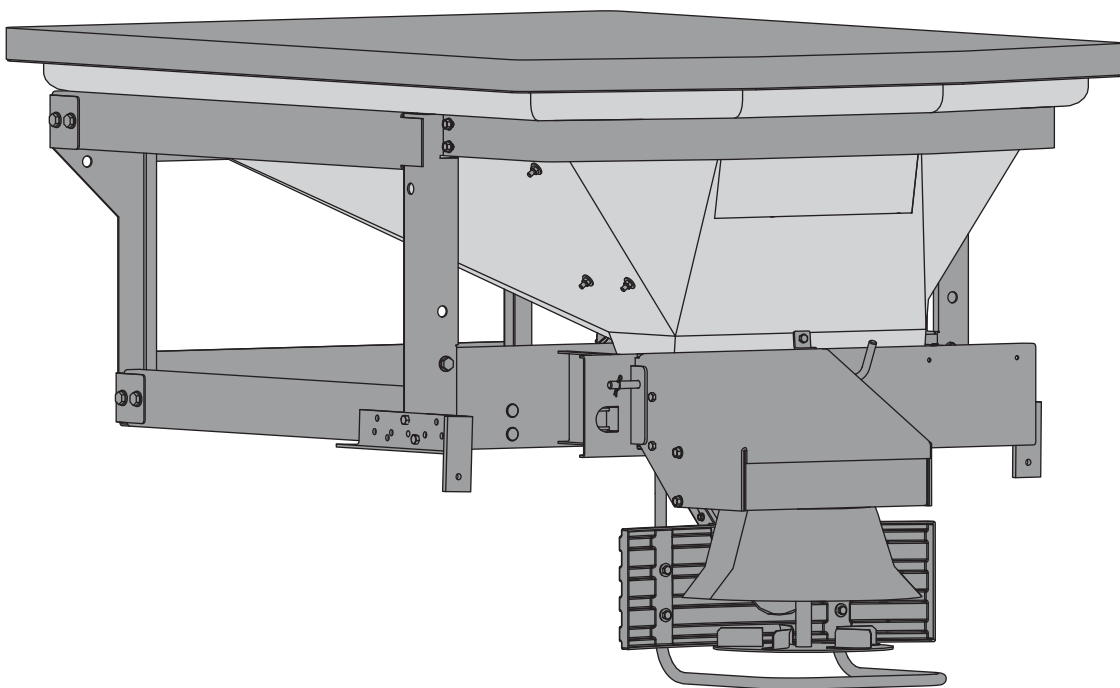




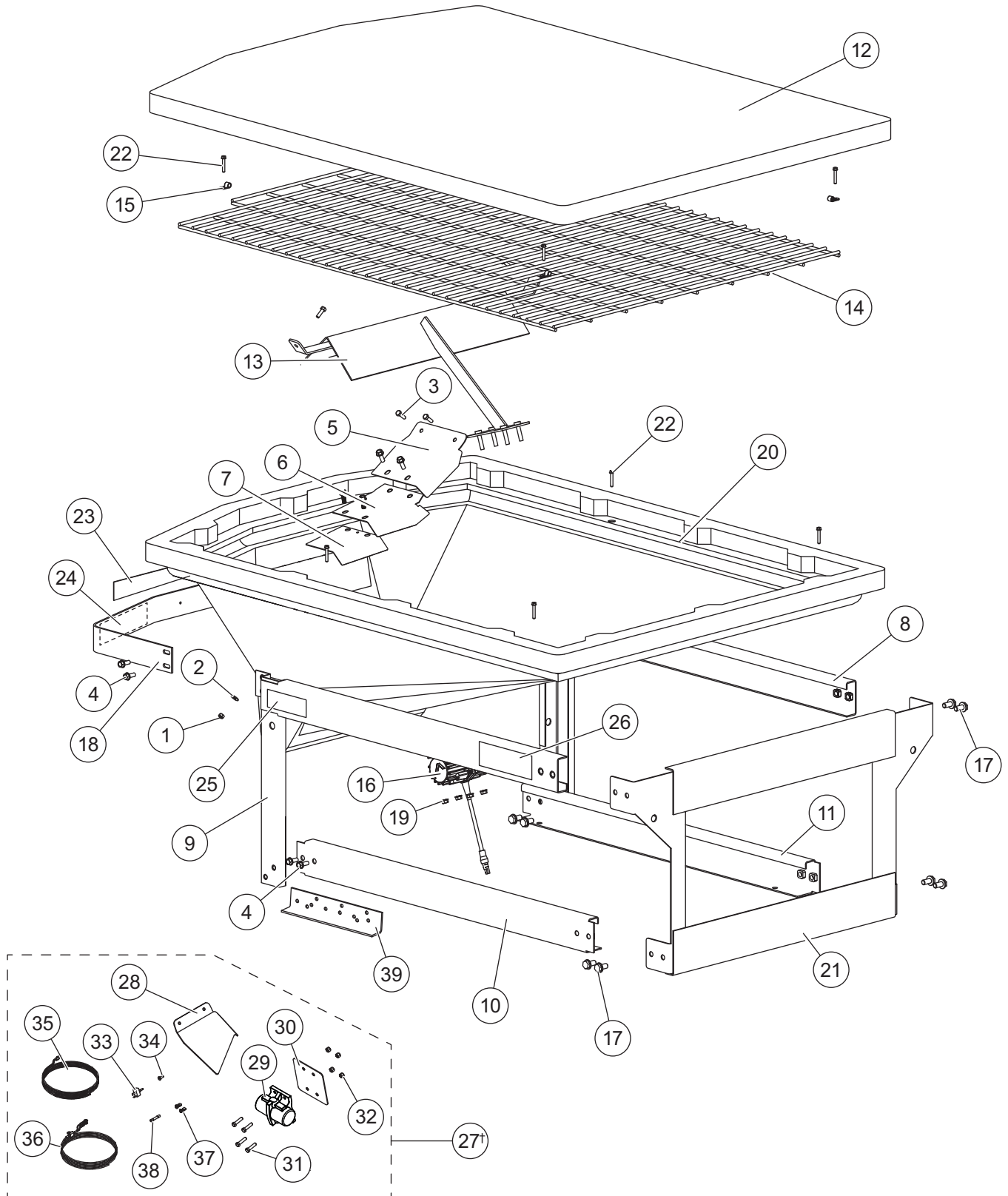
78903
Hopper Spreader Components
ICE CHASER™ LP Hopper Spreader
Parts List



This Parts List is for BLIZZARD® ICE CHASER LP hopper spreaders with serial numbers 0000 and higher.

ICE CHASER™ LP HOPPER SPREADER

FRAME ASSEMBLY

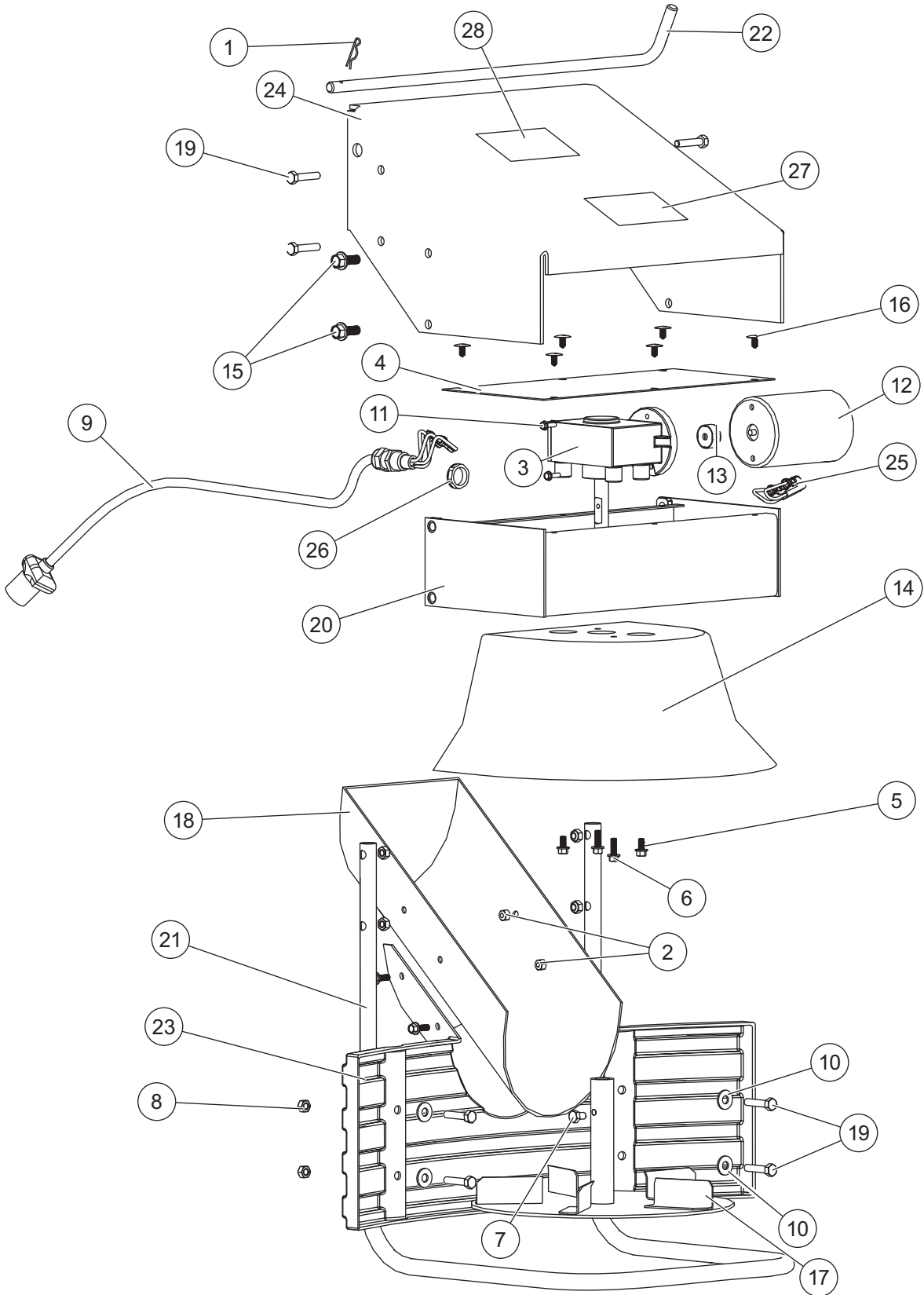


ICE CHASER™ LP HOPPER SPREADER

Auger Assembly							
Item	Part	Qty	Description	Item	Part	Qty	Description
1	51031	4	1/4-20 x 3/4 Serrated Flange SS	14	51074	4	1/2-13 x 1 Hex Cap Screw Serrated
2	91332	1	5/16-18 Hex Locknut GB	15	51076	1	Auger Drive Weldment
3	51034	1	5/16-18 x 3/8 Set Screw	16	51077	1	Auger Motor Cover
4	88266	2	#10-32 Hex Locknut	17	51087	1	Auger
5	51035	2	#10-32 x 2 Hex Cap Screw SS	18	51090	1	Transmission 30:1
6	90313	1	5/16 Flat Washer	19	51092	8	3/8-16 Flange Nut, Serrated
7	68494	1	5/16-18 x 1 Hex Cap Screw	20	51096	1	Spinner Motor Connector
8	51039	2	#10-32 x 5/8 Serrated Flange w/Patch	21	88269	1	Lower Rail Mount Bracket Right
9	51040	1	3" 12 V DC Motor w/2-Pin Connector	22	51098	1	Lower Rail Mount Bracket Left
10	51041	1	Motor Drive Coupler	23	51101	1	1/2" NPT Nut Black Nylon
11	51043	1	5/8 Bearing 4 Bolt Flange	24	D6548	1	Label, Warning – Read Manual
12	51050	6	1/4 x 3/4 x 1/2 Push Retainer	25†	51107	1	Auger Tube Restrictor Kit
13	51051	1	3/8 Wire Clamp				
Item 25†				51107 Auger Tube Restrictor Kit			
26	88275	1	Auger Tube	33	90313	2	5/16 Flat Washer
27	88277	1	Gate Slide, Auger Tube	34	91332	2	5/16-18 Hex Locknut GB
28	88278	1	Material Baffle TRK-3000	35	51031	4	1/4-20 x 3/4 Hex Cap Screw, Serrated Flange SS
29	88276	1	End Cap, Auger Tube	36	50969	4	1/4 Flat Washer SS
30	88281	1	Edge Grip Seal – 36"	37	50970	4	1/4-20 Hex Locknut Waxed SS
31	88282	1	1-1/4" Adhesive-Back Foam – 18"	38	88274	1	1/4-20 Wing Nut SS
32	68494	2	5/16-18 x 1 Hex Cap Screw G5				
			SS = Stainless Steel			† = Accessory Only	G = Grade

ICE CHASER™ LP HOPPER SPREADER

DRIVE ASSEMBLY

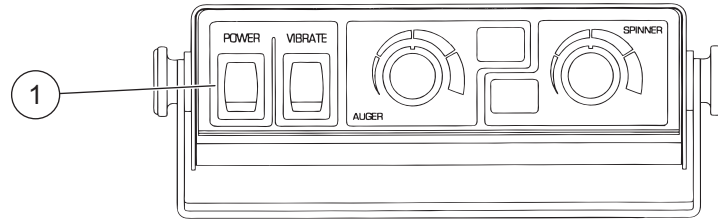


ICE CHASER™ LP HOPPER SPREADER

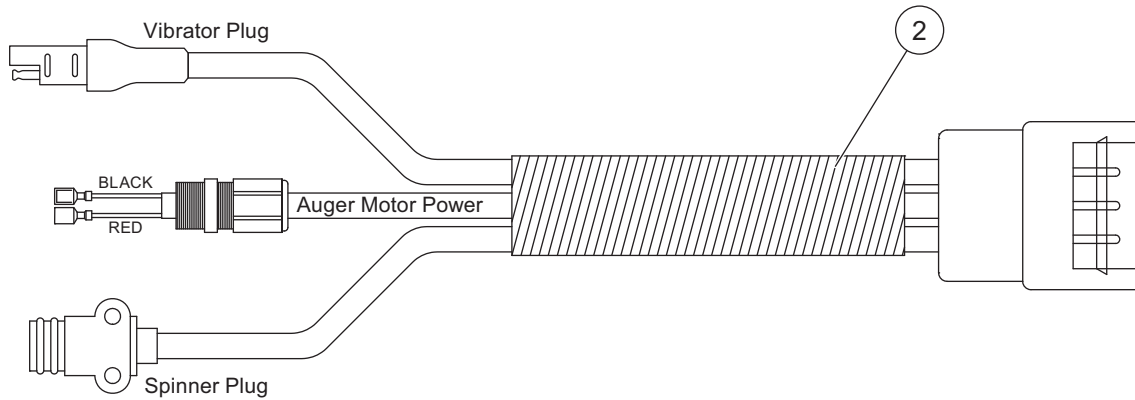
Drive Assembly							
Item	Part	Qty	Description	Item	Part	Qty	Description
1	51024	1	0.093 x 2-3/8 Hairpin Cotter	15	51049	4	3/8-16 x 1 Serrated Flange Type F
2	91331	4	1/4-20 Hex Locknut GB	16	51050	6	1/4 x 3/4 x 1/2 Push Retainer
3	51028	1	Transmission 8:1	17	51069	1	Spinner w/Extended Shaft 12"
4	51029	1	Spinner Drive Enclosure	18	51070	1	Material Chute
5	51030	2	1/4-20 x 1/2 Serrated Flange SS	19	51072	8	5/16-18 x 1-1/2 Tapping Screw
6	51031	6	1/4-20 x 3/4 Serrated Flange SS	20	51080	1	Spinner Drive Enclosure
7	51032	1	5/16-18 x 1/2 Hex Cap Screw G5	21	51081	1	Tubular Spinner Guard
8	91332	8	5/16-18 Hex Locknut GB	22	51088	1	Bent Pin
9	51036	1	Power Cable	23	51089	1	Spinner Deflector
10	90313	4	5/16 Flat Washer	24	51091	1	Drive Enclosure Shroud
11	51039	2	#10-32 x 5/8 Serrated Flange w/Patch	25	51097	1	Auger Motor Connector
12	51040	1	3" 12 V DC Motor w/2-Pin	26	51101	1	1/2" NPT Nut Black Nylon
13	51041	1	Motor Drive Coupler	27	D6544	1	Label, Warning Rotating Parts
14	51045	1	CE Shroud	28	D6545	1	Label, Warning No Step
			ns = not shown				SS = Stainless Steel
							G = Grade

ICE CHASER™ LP HOPPER SPREADER

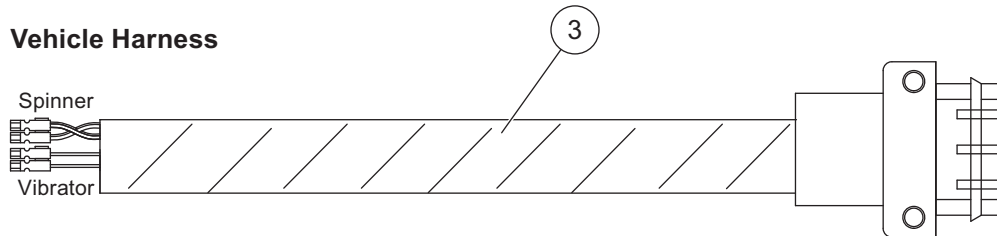
ELECTRICAL COMPONENTS



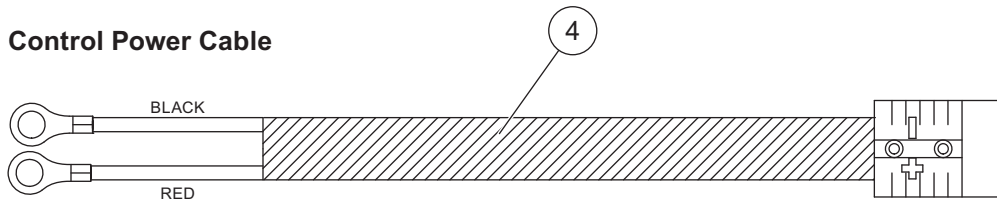
Spreader Harness



Vehicle Harness



Control Power Cable



ICE CHASER™ LP HOPPER SPREADER

Electrical Components							
Item	Part	Qty	Description	Item	Part	Qty	Description
1	51033	1	Spreader Control	3	51086	1	Vehicle Harness
2	51067	1	Spreader Harness	4	51105	1	Control Power Cable

ICE CHASER™ LP HOPPER SPREADER

Copyright © 2013 Douglas Dynamics, LLC. All rights reserved. This material may not be reproduced or copied, in whole or in part, in any printed, mechanical, electronic, film or other distribution and storage media, without the written consent of Blizzard. Authorization to photocopy items for internal or personal use by Blizzard outlets or spreader owner is granted.

Blizzard reserves the right under its product improvement policy to change construction or design details and furnish equipment when so altered without reference to illustrations or specifications used. Blizzard or the vehicle manufacturer may require or recommend optional equipment for spreaders. Do not exceed vehicle ratings with a spreader. Blizzard offers a limited warranty for all spreaders and accessories. See separately printed page for this important information. The following are registered (®) or unregistered (™) trademarks of Douglas Dynamics, LLC: BLIZZARD®, ICE CHASER™ LP.

Printed in U.S.A.
