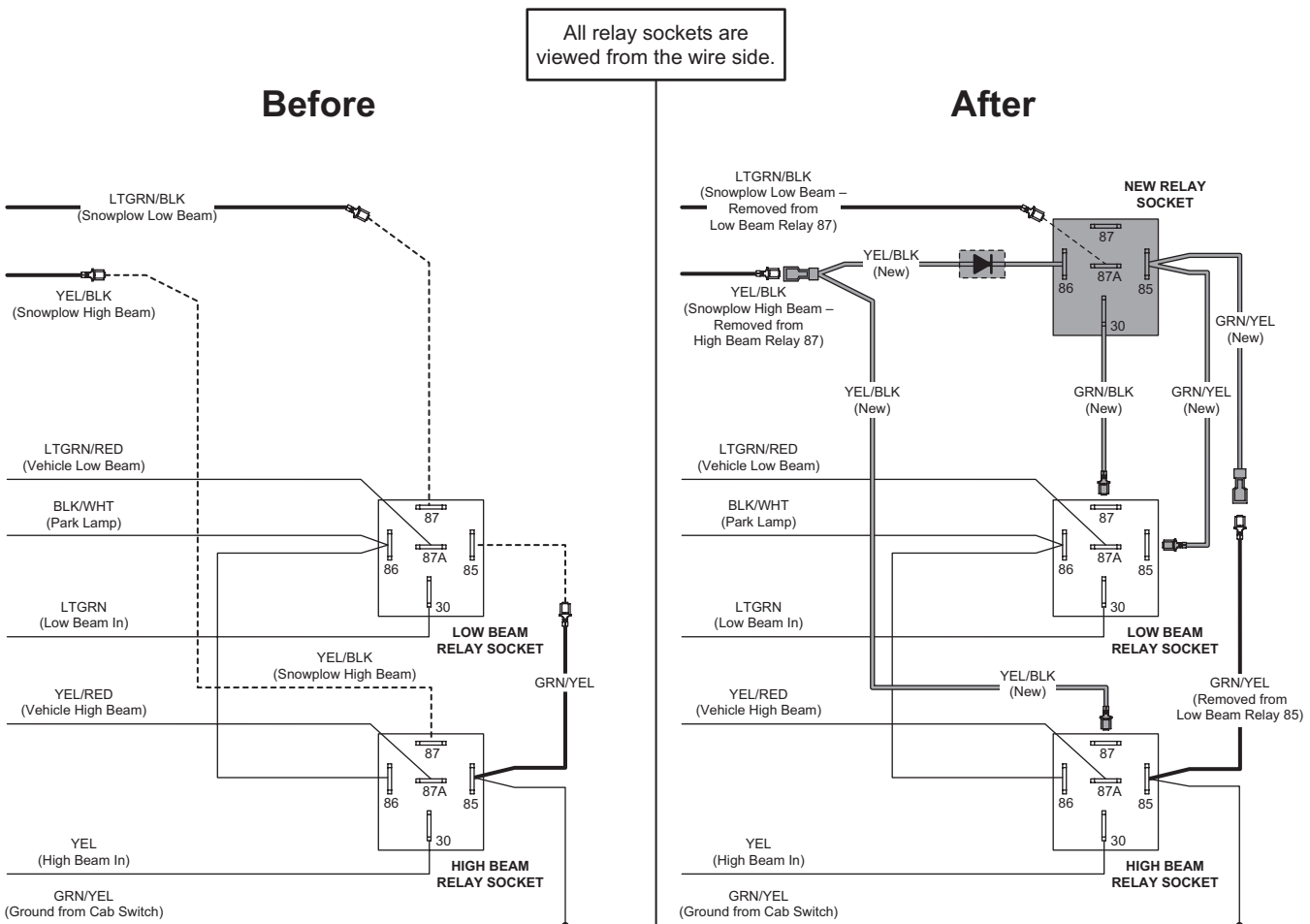


NOTE: Follow the instructions included with your snowplow assembly until instructed to connect the main lighting harness. Prior to installing the main lighting harness, perform the following steps.

The supplied relay sockets will interlock with the original relay sockets. Remove the new relay sockets from the kit and connect them to the original sockets by aligning tab on the original sockets with the groove on the new socket and sliding them together.

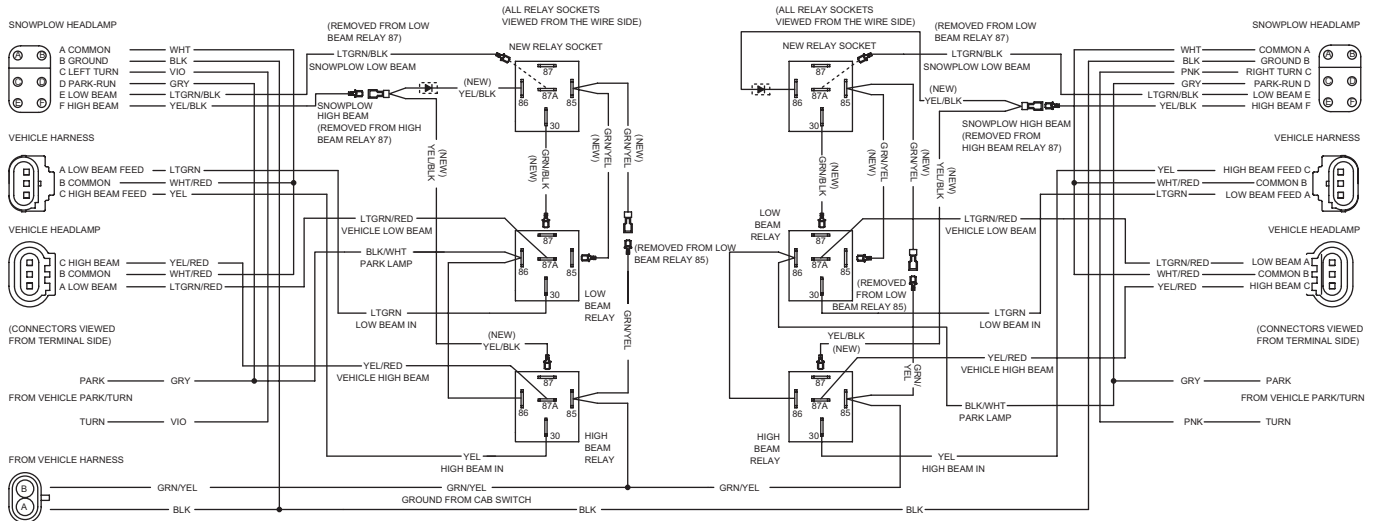
1. Locate the two driver side headlamp relays and remove them from the relay sockets. Put the relays aside and save them for reinstallation.
2. Remove and save both of the white terminal locks from the relay sockets. Remove the terminal locks by pressing down on the lock release tab while pulling gently on the lock.
3. Locate and remove the single green wire with a yellow stripe from position 85 of the low beam relay socket by releasing the terminal locking tab on the end of the wire. To release the terminal locking tab, insert a removal tool and gently rock it back and forth while pulling on the wire.
4. Connect the original green/yellow wire just removed to the green/yellow wire with the insulated blade terminal from the new relay socket. Wrap the connections with electrical tape.
5. Insert the second green/yellow wire from the new relay socket into position 85 of the low beam relay socket.
6. Locate and remove the single yellow wire with a black stripe from position 87 of the high beam relay socket.



* Gray shaded parts are preinstalled on relay socket assembly.

7. Connect the yellow/black wire just removed to the yellow/black wire with the insulated blade terminal from the new relay socket. Wrap the connection with electrical tape.
8. Insert the second yellow/black wire from the new relay socket into position 87 of the high beam relay socket.
9. Remove the light green wire with a black stripe from position 87 of the low beam relay socket. Bend the terminal locking tab back up so it will lock into the new relay socket.
10. Insert the light green/black wire just removed into position 87A of the new relay socket.
11. Insert the green/black wire from the new relay socket into position 87 of the low beam relay socket.
12. Insert the white terminal locks removed in Step 2 into the two original relay sockets; insert one of the supplied terminal locks into the new relay socket.
13. Reinstall the headlamp relays removed in Step 1; install the supplied relay into the new relay socket.
14. Cable tie wires as needed away from any sharp, hot or moving parts.
15. Repeat for the passenger side.

Main Lighting Harness Schematic



Blizzard reserves the right under its product improvement policy to change construction or design details and furnish equipment when so altered without reference to illustrations or specifications used. Blizzard or the vehicle manufacturer may require or recommend optional equipment for snow removal. Do not exceed vehicle ratings with a snowplow. Blizzard offers a limited warranty for all snowplows and accessories. See separately printed page for this important information. The following is a registered (®) trademark of Douglas Dynamics, L.L.C.: BLIZZARD®.