



PO Box 245038, Milwaukee, WI 53224-9538 • www.blizzardplows.com

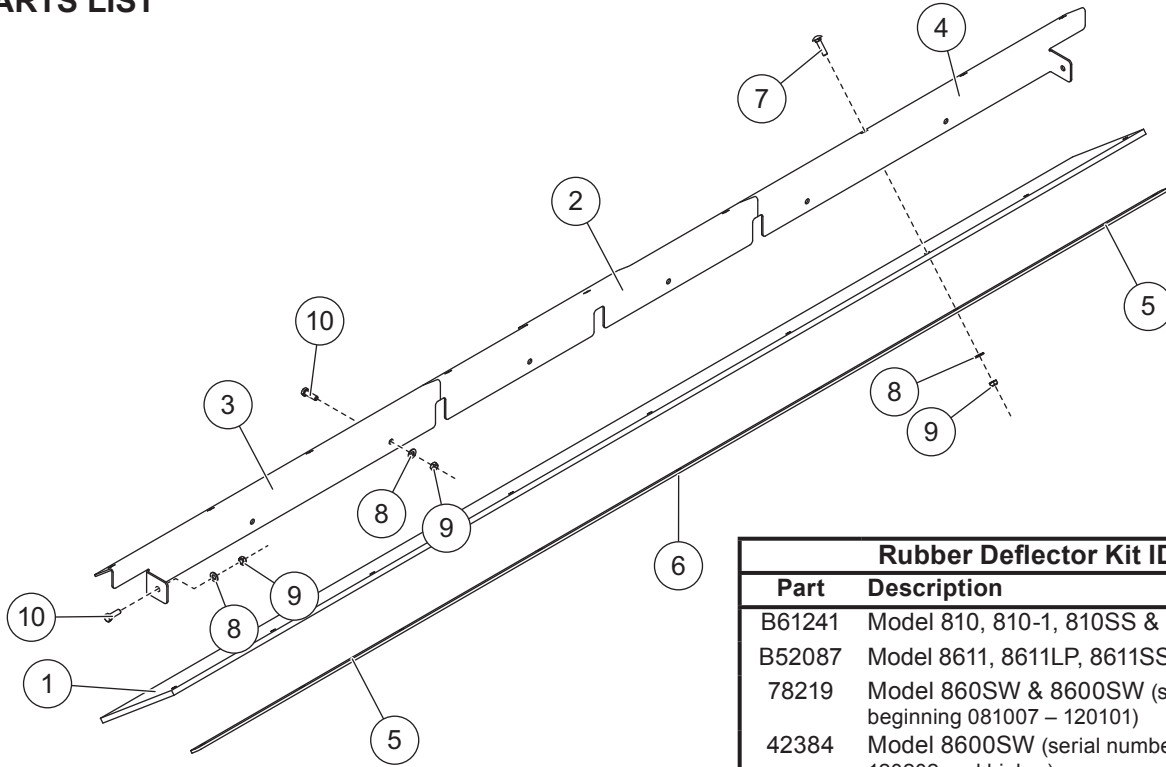
42384
78219
B52087
B61241

April 15, 2012
Lit. No. B64079, Rev. 03

Rubber Deflector Kit

POWER PLOW™ & SPEEDWING™ Snowplows

PARTS LIST



Rubber Deflector Kit ID	
Part	Description
B61241	Model 810, 810-1, 810SS & 8100
B52087	Model 8611, 8611LP, 8611SS & 86110LP
78219	Model 860SW & 8600SW (serial numbers beginning 081007 – 120101)
42384	Model 8600SW (serial numbers beginning 120202 and higher)

Rubber Deflector Kits						
Item	Qty	Description	Part			
			B61241	B52087	78219	42384
1	1	Rubber Deflector	B52111	B52114	B52111	
2	1	Mount Angle – Center	B61653	B61656	50681	42795
3	1	Mount Angle – DS	B61652	B61655	78214	42794
4	1	Mount Angle – PS	B61654	B61657	78215	42796
5	2	Mount Strip – End	B61658	B61660	B61658	
6	1	Mount Strip – Center	B61659	B61661	B61659	
ns	1	Hardware Kit	B61379	B61379	B61379	
B61379 Hardware Kit						
7	9	5/16-18 x 1-1/4 Carriage Bolt				
8	17	5/16 Hardened Flat Washer				
9	17	5/16-18 Hex Locknut GB				
10	8	5/16-18 x 1 Hex Cap Screw G5				
ns = not shown			G = Grade			

INSTALLATION INSTRUCTIONS

⚠ WARNING
 Do not exceed GVWR or GAWR, including blade and ballast. The rating label is found on the driver-side vehicle door cornerpost.

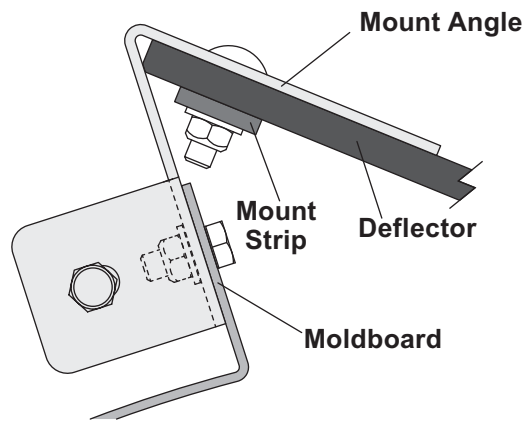
⚠ CAUTION
 Read this document before installing the rubber deflector kit.

⚠ CAUTION
 Use standard methods and practices when attaching snowplow and installing accessories, including proper personal protective safety equipment.

⚠ CAUTION
 See your sales outlet for specific vehicle application recommendations before installation. Rubber deflector kit weight information may be found in the Undercarriage Selection Guide.

1. Park the vehicle on a smooth, level, hard surface, such as concrete. Lower the blade to the ground, and turn the control OFF. Disconnect the snowplow from the vehicle, or turn the vehicle ignition to the "OFF" position and remove the key.
2. Position the mount strips and mount angles together on either side of the rubber deflector. Attach the mount strips and mount angles to the deflector using the supplied 5/16" x 1-1/4" carriage bolts, washers and locknuts. Tighten the fasteners until the mount strips and mount angles are tight against the deflector.

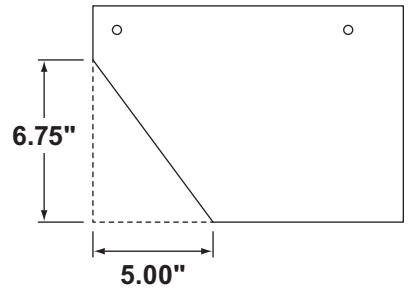
NOTE: Each mount angle should be aligned with and butted up against the end of the other mount angles.



3. Position the assembled deflector against the inside, top angle of the moldboard. The notches in the mount angles should align with the center support ribs on the blade. Both bent tabs should align at the inside of the support rib on each end. Clamp the mount angles into place on the blade.
4. Using the holes in the mount angles as guides, drill eight 3/8" holes in the moldboard and ribs.
5. Attach assembled deflector to the blade using the supplied 5/16" x 1" cap screws, washers and locknuts. Tighten fasteners to 18 ft-lb.
6. **POWER PLOW™ snowplows only:** Shorten both carriage bolts at each end of the blade to prevent them from contacting the wings during snowplow operation. Verify that the bolts will not contact the wings after shortening them.

SPEEDWING™ snowplows only:

Trim the outside corners of the deflector as shown to allow clearance for wing movement.



Copyright © 2012 Douglas Dynamics, L.L.C. All rights reserved. This material may not be reproduced or copied, in whole or in part, in any printed, mechanical, electronic, film or other distribution and storage media, without the written consent of Blizzard. Authorization to photocopy items for internal or personal use by the Blizzard outlets or snowplow owner is granted.

Blizzard reserves the right under its product improvement policy to change construction or design details and furnish equipment when so altered without reference to illustrations or specifications used. Blizzard or the vehicle manufacturer may require or recommend optional equipment for snow removal. Do not exceed vehicle ratings with a snowplow. Blizzard offers a limited warranty for all snowplows and accessories. See separately printed page for this important information. The following are registered (®) or unregistered (™) trademarks of Douglas Dynamics, L.L.C.: BLIZZARD®, POWER PLOW™, SPEEDWING™