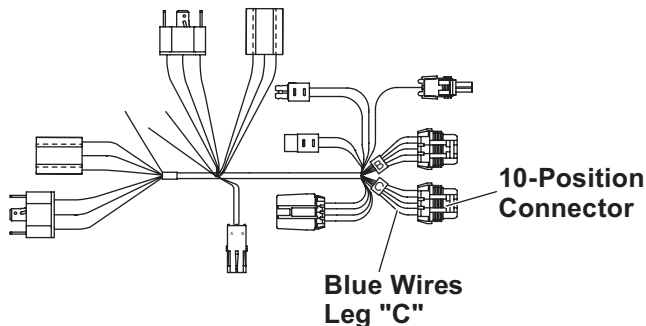


# DRL Wire Adapter Kit #69867

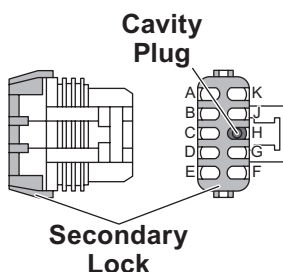
## 29051 Headlamp Harness Kit

### INSTALLATION INSTRUCTIONS

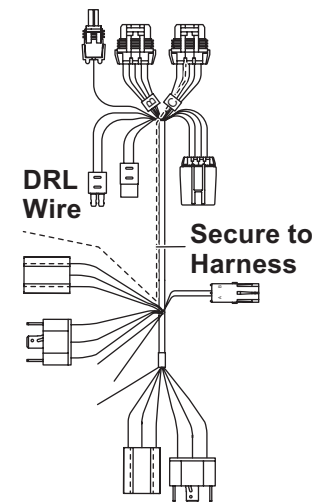
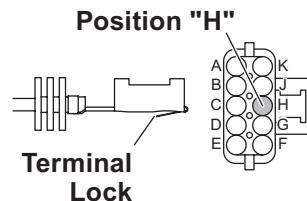
1. On the harness, locate the 10-position connector with dark blue wires, on the leg marked "C".



2. Remove the secondary lock from the wire side of the connector.
3. Remove the cavity plug from position "H" and discard.



4. Insert the terminal on the DRL wire into position "H" on the connector. The terminal lock should face the outside edge of the connector.
5. Replace the secondary lock on the wire side of the connector.
6. Route the DRL wire along the plug-in harness to the driver-side headlamp connectors, taping the wire to the harness as necessary to secure it.
7. Splice the DRL wire from the adapter kit into the vehicle DRL bulb POSITIVE (+) wire following the instructions in the Recommended Splicing Procedure section of the harness kit Installation Instructions.



Lit. No. 69866, Rev. 01

Printed in U.S.A.

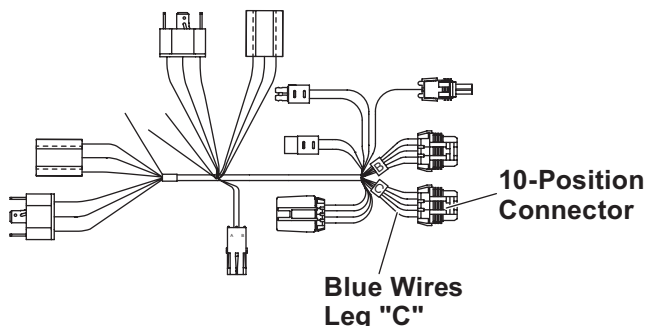
November 1, 2013

# DRL Wire Adapter Kit #69867

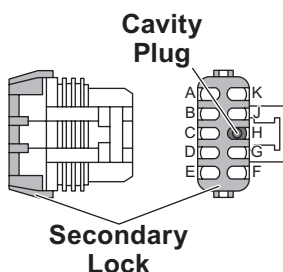
## 29051 Headlamp Harness Kit

### INSTALLATION INSTRUCTIONS

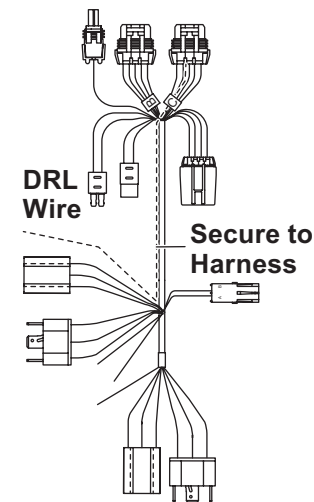
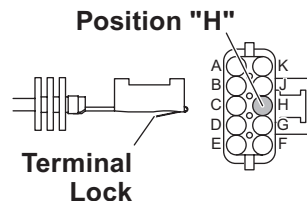
1. On the harness, locate the 10-position connector with dark blue wires, on the leg marked "C".



2. Remove the secondary lock from the wire side of the connector.
3. Remove the cavity plug from position "H" and discard.



4. Insert the terminal on the DRL wire into position "H" on the connector. The terminal lock should face the outside edge of the connector.
5. Replace the secondary lock on the wire side of the connector.
6. Route the DRL wire along the plug-in harness to the driver-side headlamp connectors, taping the wire to the harness as necessary to secure it.
7. Splice the DRL wire from the adapter kit into the vehicle DRL bulb POSITIVE (+) wire following the instructions in the Recommended Splicing Procedure section of the harness kit Installation Instructions.



Lit. No. 69866, Rev. 01

Printed in U.S.A.

November 1, 2013

 **A DIVISION OF DOUGLAS DYNAMICS, LLC**

The company reserves the right under its product improvement policy to change construction or design details and furnish equipment when so altered without reference to illustrations or specifications used. This equipment manufacturer or the vehicle manufacturer may require or recommend optional equipment for snow removal. Do not exceed vehicle ratings with a snowplow. The company offers a limited warranty for all snowplows and accessories. See separately printed page for this important information.

---

Lit. No. 69866, Rev. 01

**Printed in U.S.A.**

November 1, 2013

 **A DIVISION OF DOUGLAS DYNAMICS, LLC**

The company reserves the right under its product improvement policy to change construction or design details and furnish equipment when so altered without reference to illustrations or specifications used. This equipment manufacturer or the vehicle manufacturer may require or recommend optional equipment for snow removal. Do not exceed vehicle ratings with a snowplow. The company offers a limited warranty for all snowplows and accessories. See separately printed page for this important information.

---

Lit. No. 69866, Rev. 01

**Printed in U.S.A.**

November 1, 2013