

HD & LT STRAIGHT BLADE HYDRAULIC UNIT SERVICE INSTRUCTIONS

General

- Before any service**, loosen breather to relieve reservoir pressure.
- Lubricate all O-rings with clean hydraulic fluid except where noted otherwise.
- DS = Driver's Side
PS = Passenger's Side

Relief Valve Service

Apply one drop of low-strength thread locker to threads.

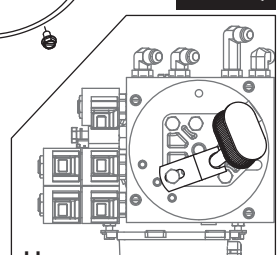
Adjustment: Screw stem in until spring is fully compressed and back out number of turns in chart.

Relief Valve	Approx. Pressure Out (psi)	# of Turns Fully Seated
A (Qty 2) LT only	4000	1-1-1/4 *
B (Qty 1)	1900 LT	
	1650 HD	

* Attach 3000 psi gauge to pressure test port. Read pump relief pressure when holding the right angle button.

Replace O-ring whenever disassembled. Apply light film of white lithium grease for reassembly. Clean manifold groove and reservoir surface.

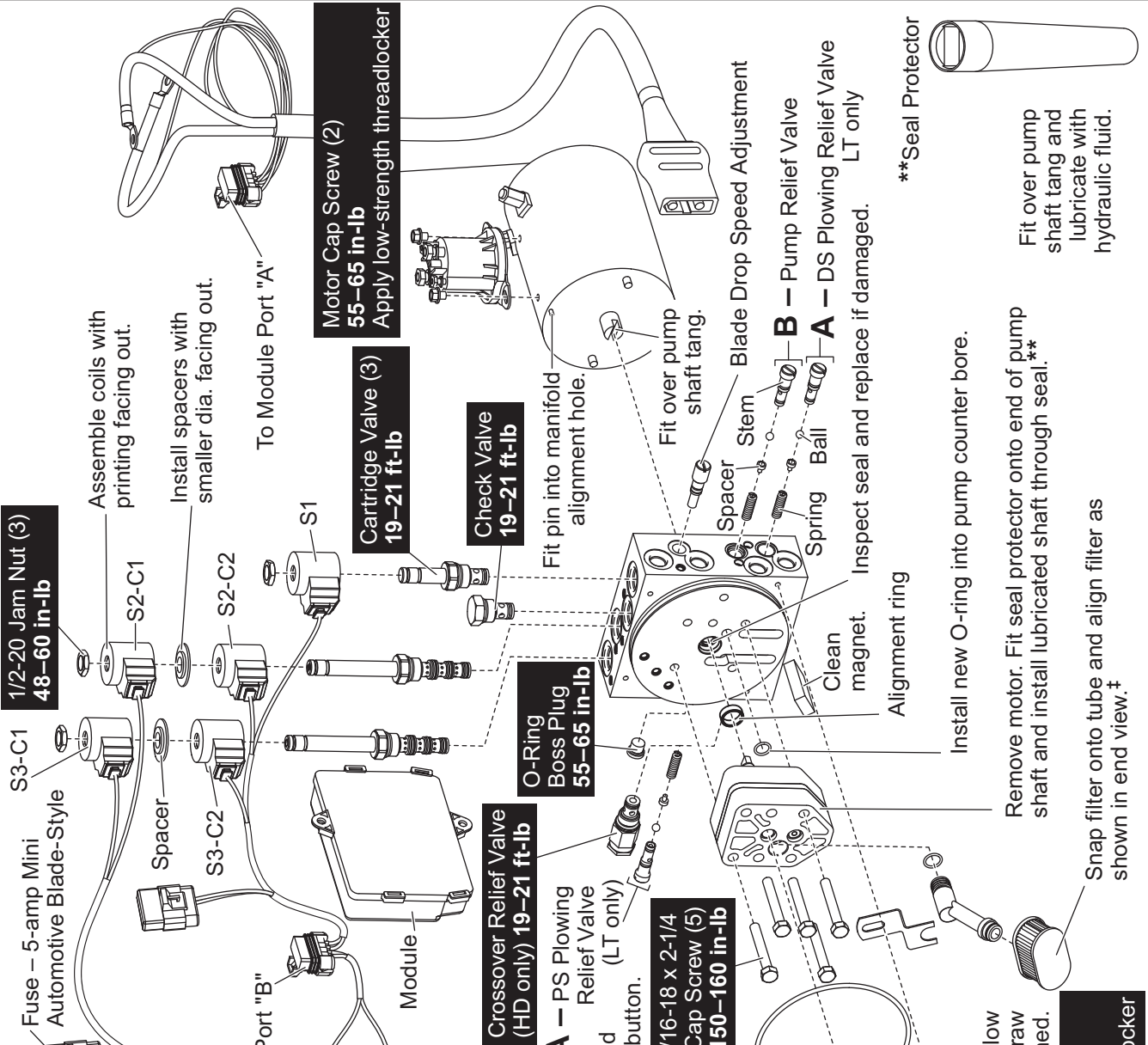
Breather must be installed before operating snowplow.



†

Fluid level 1" below top of can with draw latch fully unhitched.

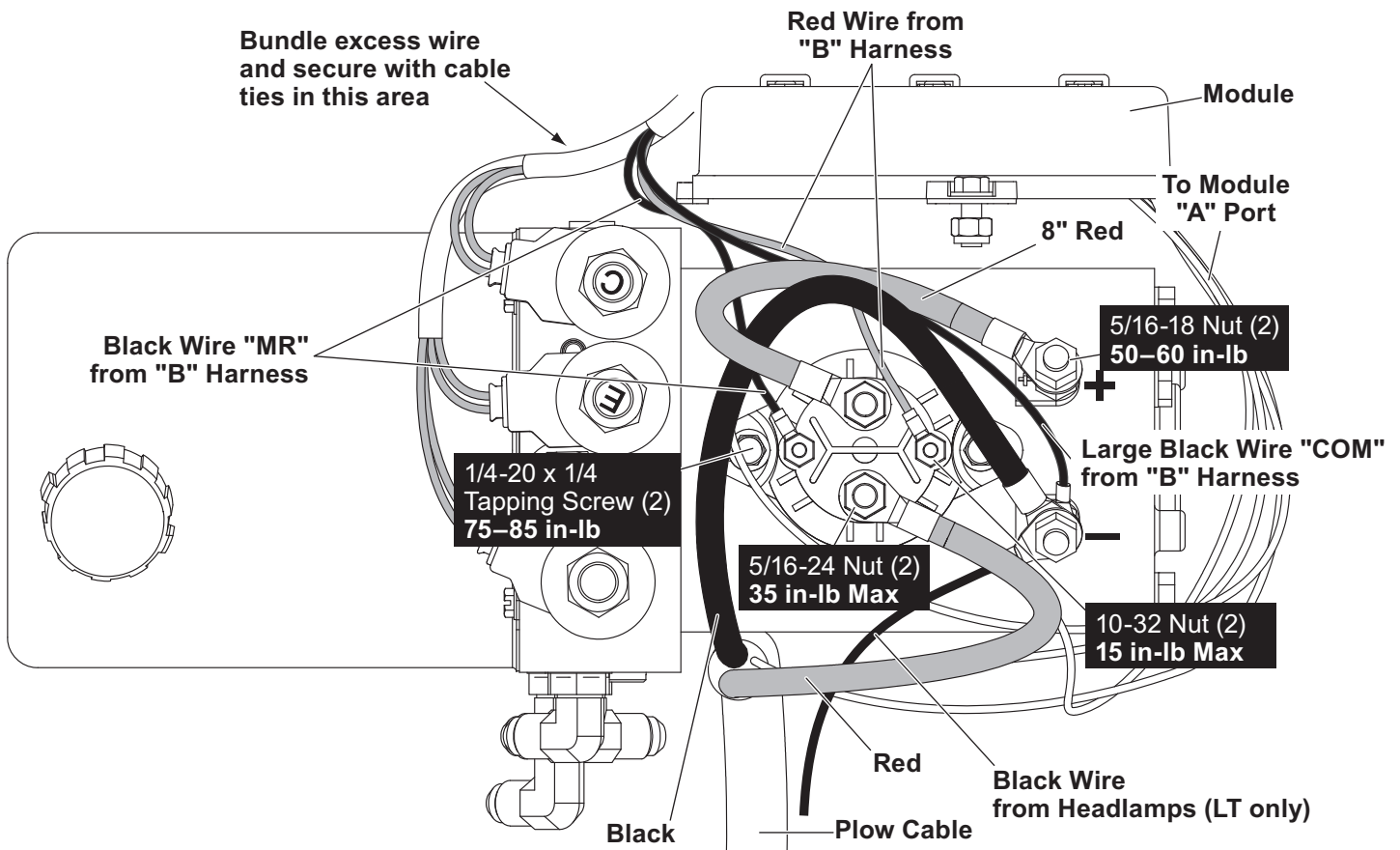
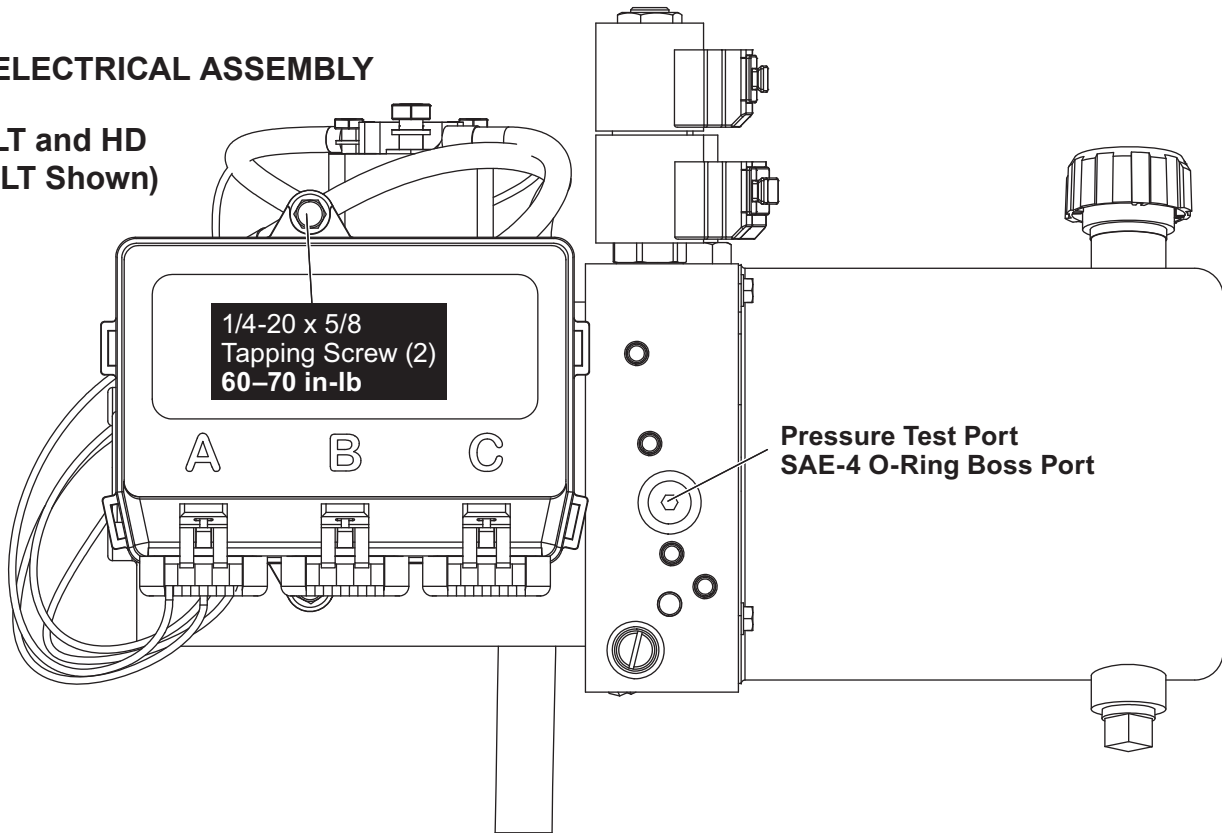
10-24 x 5/16 Washer-Head Screw (4) - 30-35 in-lb
Apply low-strength threadlocker



HD & LT STRAIGHT BLADE HYDRAULIC UNIT SERVICE INSTRUCTIONS

ELECTRICAL ASSEMBLY

LT and HD
(LT Shown)



HD & LT STRAIGHT BLADE HYDRAULIC UNIT SERVICE INSTRUCTIONS

TORQUE CHART

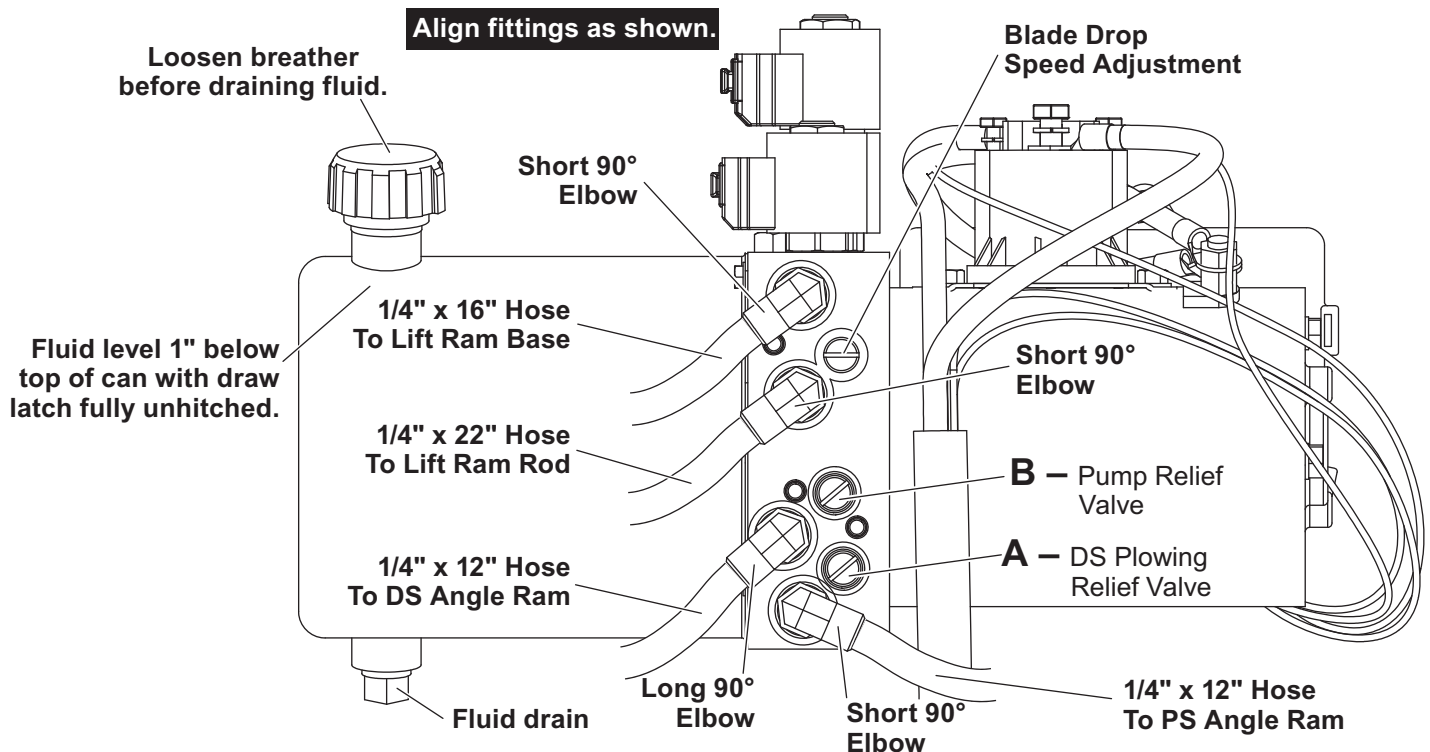
Straight Blade Hydraulic Unit Torque Chart		
Location	Fastener Size	Torque
Pump Cap Screws	5/16-18 x 2-1/4 (LT) or 2-1/2 (HD)	150–160 in-lb
Motor Terminals (+ and –)	5/16-18 Nut	50–60 in-lb
Motor to Manifold Cap Screws	1/4-20 x 6-1/4	55–65 in-lb*
Reservoir Screws	#10-24 x 5/16	30–35 in-lb*
Solenoid Valves	7/8 Hex Head	19–21 ft-lb
Coil Nuts	3/4 Hex Head Jam Nut	48–60 in-lb
SAE O-Ring Plugs	1/8 or 5/32 Internal Hex	55–65 in-lb
Hydraulic Unit Mount Bolts	See diagram	22–25 ft-lb**
Check Valves	7/8 Hex Head	19–21 ft-lb
Motor Relay Small Terminals	10-32 Nut	15 in-lb max
Motor Relay Large Terminals	5/16-24 Nut	35 in-lb max
Motor Relay Mount Screws	1/4-20 x 1/4	75–85 in-lb
Plow Module Mount Screws	1/4-20 x 5/8	60–70 in-lb
Crossover Relief Valve	7/8 Hex Head	19–21 ft-lb

* Torque with low-strength threadlocker

** Torque with medium-strength threadlocker

HYDRAULIC FLUID (DRAIN AND FILL), FITTINGS AND HOSES – LT

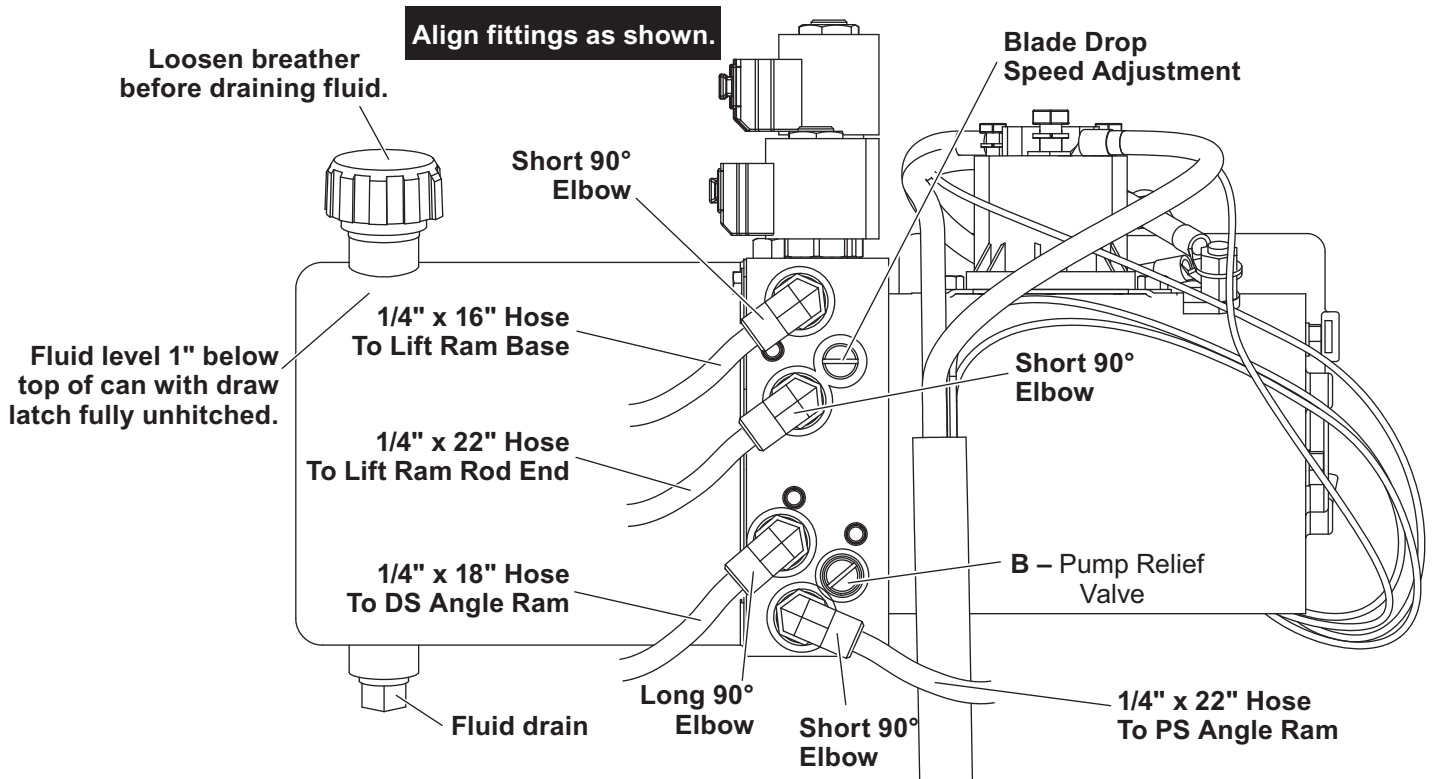
NOTE: Before removing hoses and fittings, carefully note hose routing for proper reassembly. For complete hydraulic fluid level/change or hose/fitting instructions, see the Maintenance Section of your Owner's Manual.



HD & LT STRAIGHT BLADE HYDRAULIC UNIT SERVICE INSTRUCTIONS

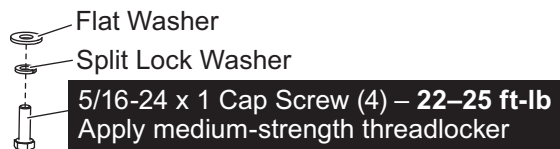
HYDRAULIC FLUID (DRAIN AND FILL), FITTINGS AND HOSES – HD

NOTE: Before removing hoses and fittings, carefully note hose routing for proper reassembly. For complete hydraulic fluid level/change or hose/fitting instructions, see the Maintenance Section of your Owner's Manual.

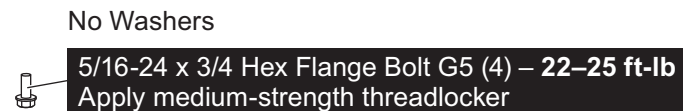


HYDRAULIC UNIT MOUNTING BOLTS

For mounting plate with holes:



For mounting plate with keyhole slots:



The company reserves the right under its product improvement policy to change construction or design details and furnish equipment when so altered without reference to illustrations or specifications used. This equipment manufacturer or the vehicle manufacturer may require or recommend optional equipment for snow removal. Do not exceed vehicle ratings with a snowplow. The company offers a limited warranty for all snowplows and accessories. See separately printed page for this important information.

Printed in U.S.A.