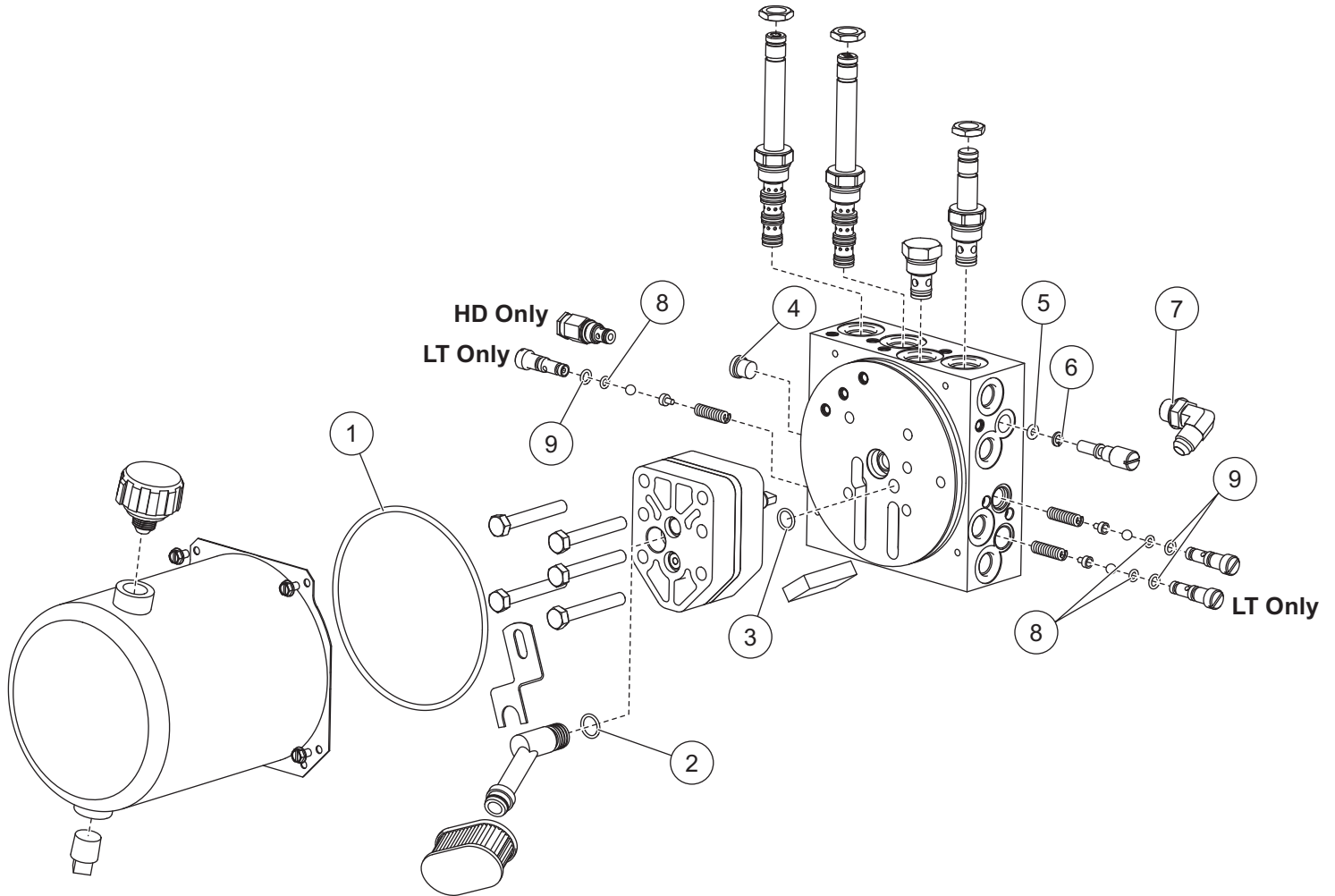


PARTS LIST – LT and HD

Kit may contain more O-rings than needed for a specific application.

Go to www.blizzardplows.com for hydraulic unit service information and specifications.

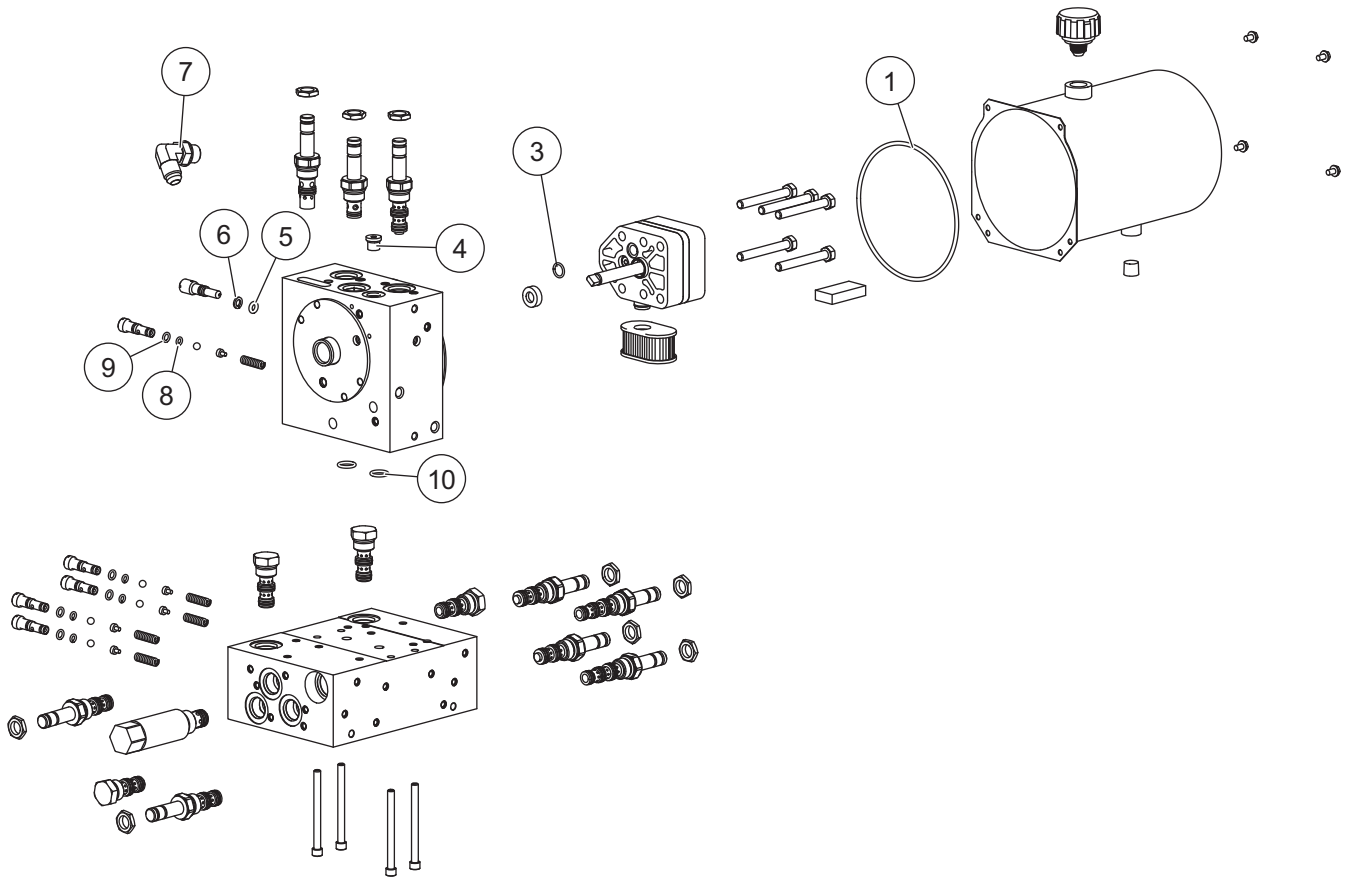


48301 O-Ring Kit			
Item	Part	Qty	Description
1	66519	1	O-Ring – 2-250
2	56416	1	O-Ring – 014
3	56274	1	O-Ring – 013
4	44343	1	O-Ring – 904
5	48239	1	O-Ring – 106
6	48240	1	Backup Ring – 106
7	56569	4	O-Ring – 906
8	55371	3	O-Ring – 008
9	25731	3	O-Ring – 010

PARTS LIST – 8100PP & 86110LP

Kit may contain more O-rings than needed for a specific application.

Go to www.blizzardplows.com for hydraulic unit service information and specifications.

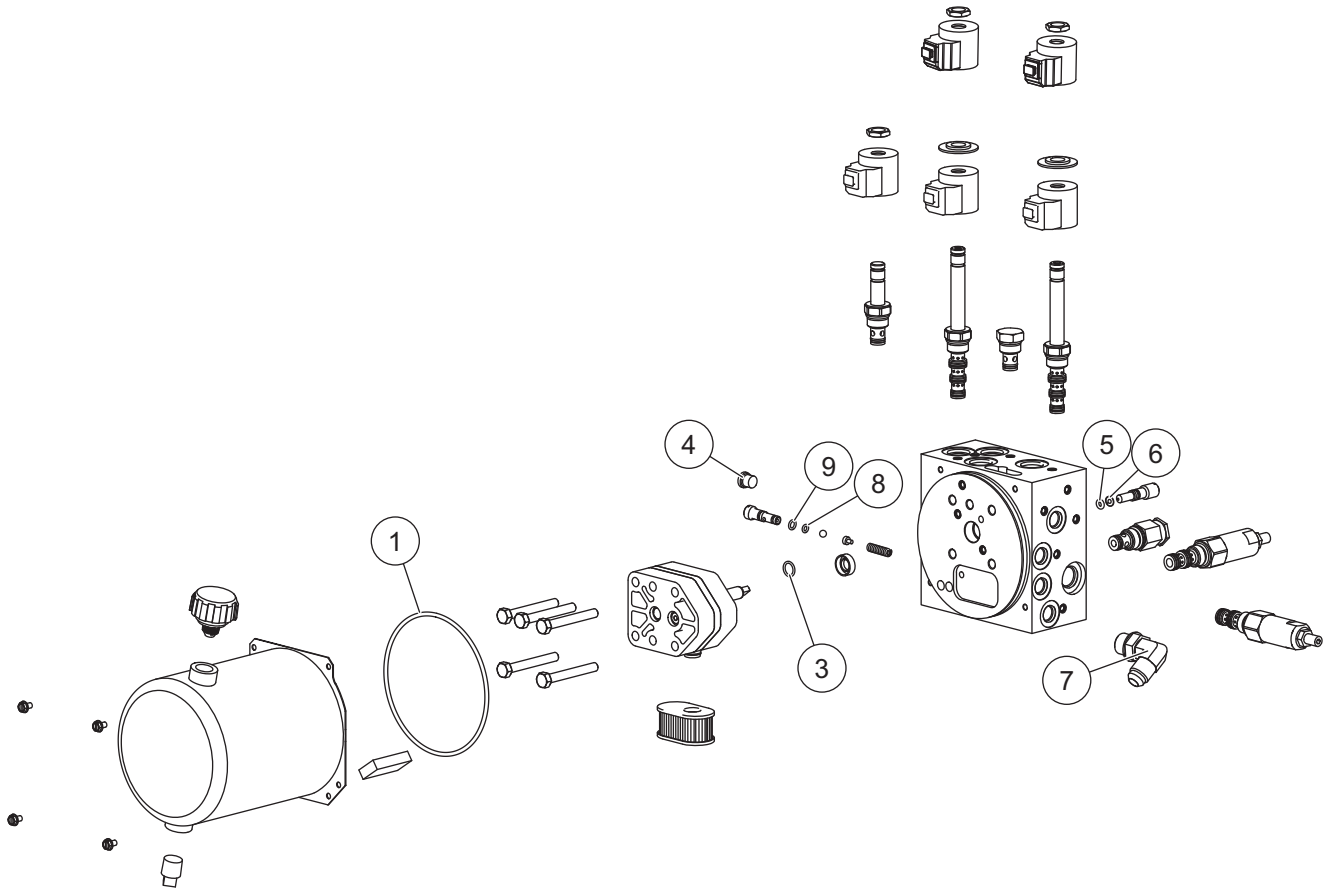


48301 O-Ring Kit			
Item	Part	Qty	Description
1	66519	1	O-Ring – 2-250
3	56274	1	O-Ring – 013
4	44343	1	O-Ring – 904
5	48239	1	O-Ring – 106
6	48240	1	Backup Ring – 106
7	56569	8	O-Ring – 906
8	55371	5	O-Ring – 008
9	25731	5	O-Ring – 010
10	44905	2	O-Ring – 112

PARTS LIST – 8600SW

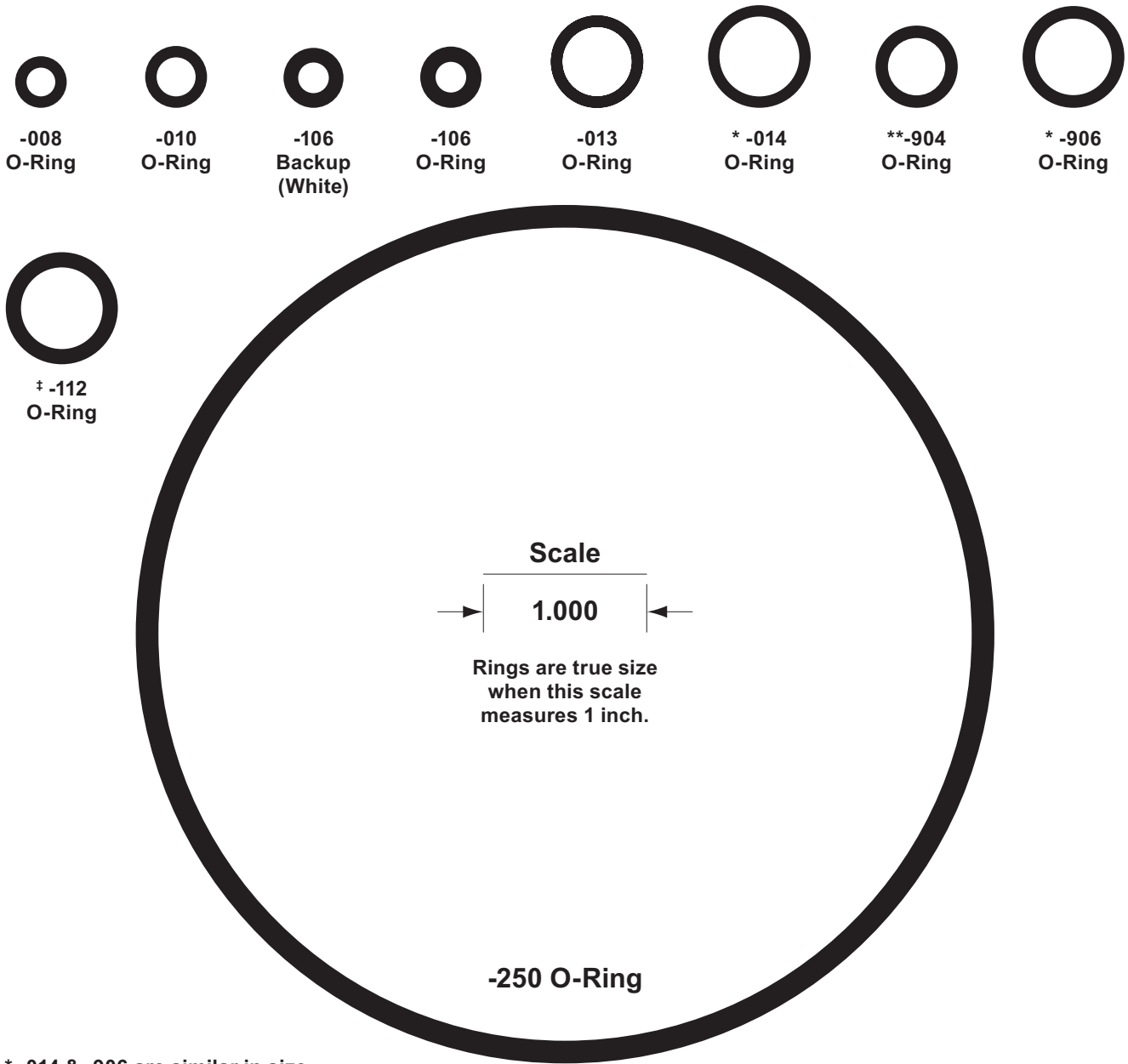
Kit may contain more O-rings than needed for a specific application.

Go to www.blizzardplows.com for hydraulic unit service information and specifications.



48301 O-Ring Kit			
Item	Part	Qty	Description
1	66519	1	O-Ring – 2-250
3	56274	1	O-Ring – 013
4	44343	1	O-Ring – 904
5	48239	1	O-Ring – 106
6	48240	1	Backup Ring – 106
7	56569	4	O-Ring – 906
8	55371	1	O-Ring – 008
9	25731	1	O-Ring – 010

O-RING / BACKUP RING SIZE CHART



- * -014 & -906 are similar in size.
- 014 has .489 ID, .070 dia. cross section & 70 durometer hardness.
- 906 has .468 ID, .078 dia. cross section & 90 durometer hardness.
- ** -904 has .351 ID, .072 dia. cross section & 90 durometer hardness.
- ‡ -112 has .487 ID, .693 OD.

Copyright © 2009 Douglas Dynamics, L.L.C. All rights reserved. This material may not be reproduced or copied, in whole or in part, in any printed, mechanical, electronic, film or other distribution and storage media, without the written consent of the company. Authorization to photocopy items for internal or personal use by the company's outlets or snowplow owner is granted.

The company reserves the right under its product improvement policy to change construction or design details and furnish equipment when so altered without reference to illustrations or specifications used. This equipment manufacturer or the vehicle manufacturer may require or recommend optional equipment for snow removal. Do not exceed vehicle ratings with a snowplow. The company offers a limited warranty for all snowplows and accessories. See separately printed page for this important information.

Printed in U.S.A.