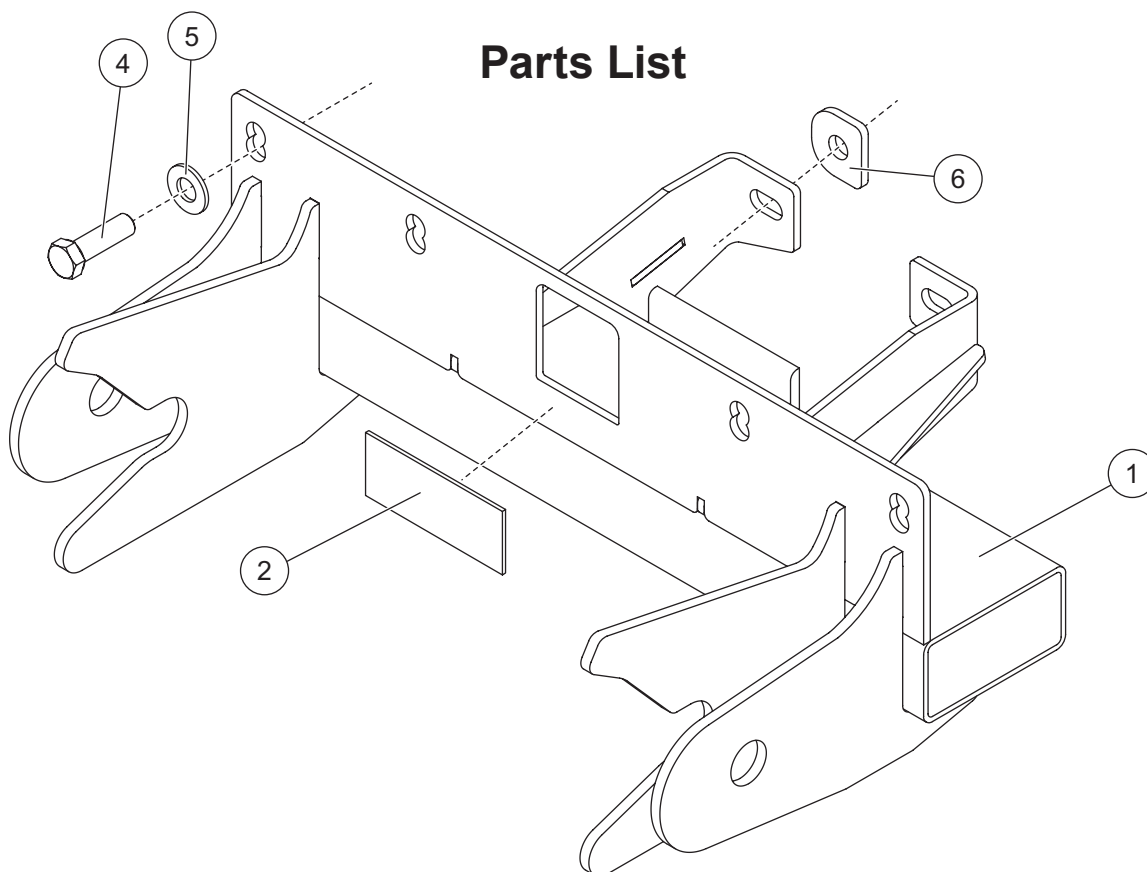


BLIZZARD[®] **SNOWPLOWS**

B35124-1 **Undercarriage Kit**

Kubota RTV, RTV X-Series

2009 - ___



B35124-1

B35124-1 Undercarriage Kit							
Item	Part	Qty	Description	Item	Part	Qty	Description
1		1	Pushbeam	ns	41746	1	Bolt Bag B35124-1
2	B63162	1	Label, Pushbeam	6	26284	2	Spacer
41746 Bolt Bag B35124-1							
4		4	M12X1.25X40 G8.8 Hex cap Screw				
5		4	1/2 Hardened Flat Washer				
ns = not shown				G = Grade			

Copyright © 2014 Douglas Dynamics, LLC. All rights reserved. This material may not be reproduced or copied, in whole or in part, in any printed, mechanical, electronic, film or other distribution and storage media, without the written consent of Blizzard. Authorization to photocopy items for internal or personal use by the Blizzard outlets or snowplow owner is granted.

Blizzard reserves the right under its product improvement policy to change construction or design details and furnish equipment when so altered without reference to illustrations or specifications used. Blizzard or the vehicle manufacturer may require or recommend optional equipment for snow removal. Do not exceed vehicle ratings with a snowplow. Blizzard offers a limited warranty for all snowplows and accessories. See separately printed page for this important information. The following are registered (®) or unregistered (™) trademarks of Douglas Dynamics, LLC: BLIZZARD®.

Printed in U.S.A.