

69859 Adapter Kit

INSTALLATION INSTRUCTIONS

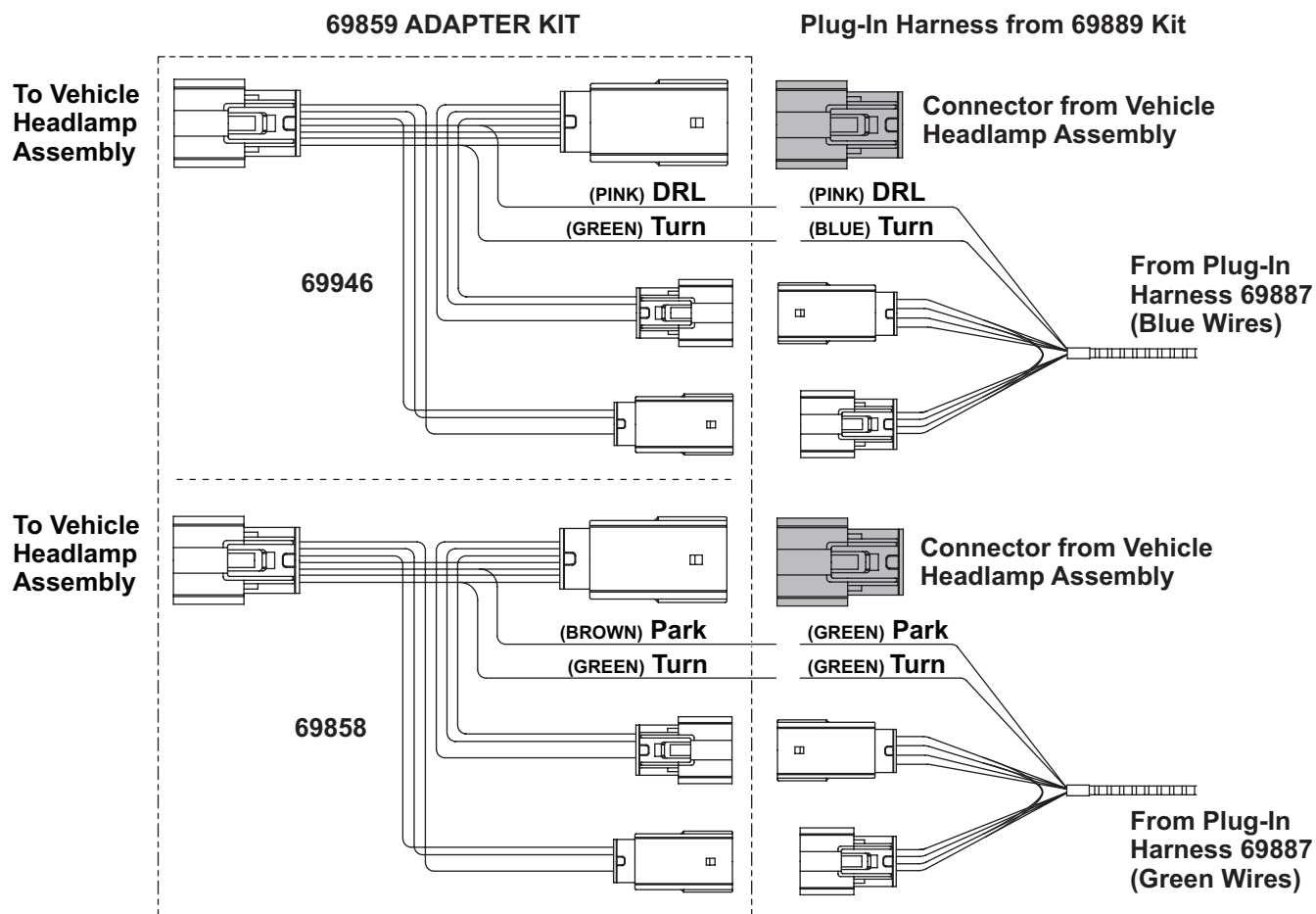
1. Install the plug-in harness according to the instructions supplied with the harness kit.
2. Connect the adapter to the vehicle headlamp assembly and matching connector removed from the vehicle headlamp assembly.
3. **If the isolation module will be installed on the driver's side**, follow the diagram (69858 on driver's side).
If the isolation module will be installed on the passenger's side, reverse the positions of the adapters (69946 on driver's side).
4. Connect the adapter to the plug-in harness assembly, matching connectors.
5. Following the plug-in harness installation instructions, splice wires:

69858 Adapter

- Splice the brown Park wire to the plug-in harness green Park wire.
- Splice the green Turn wire to the plug-in harness green Turn wire.

69946 Adapter

- Splice the pink DRL wire to the plug-in harness pink wire.
- Splice the blue Turn wire to the plug-in harness blue Turn wire.



The company reserves the right under its product improvement policy to change construction or design details and furnish equipment when so altered without reference to illustrations or specifications used. This equipment manufacturer or the vehicle manufacturer may require or recommend optional equipment for snow removal. Do not exceed vehicle ratings with a snowplow. The company offers a limited warranty for all snowplows and accessories. See separately printed page for this important information.

Printed in U.S.A.
