

**NOTE:** Follow the instructions included with your snowplow assembly until instructed to connect the main lighting harness. Prior to installing the main lighting harness, perform the following steps.

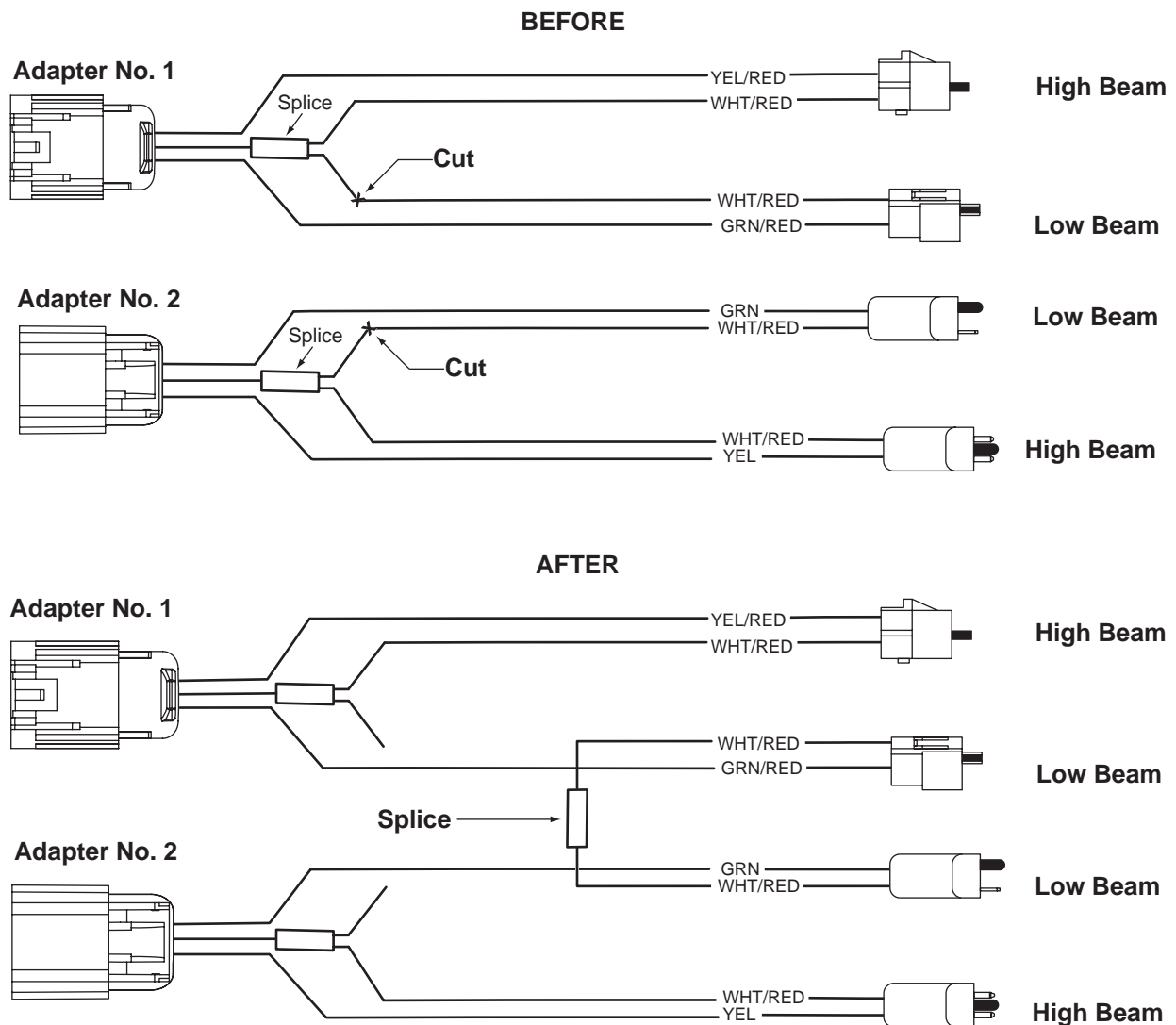
Each kit contains four adapters, two of each type are supplied.

### For Non-DRL Vehicles:

Use the adapters as supplied.

### For DRL Vehicles:

1. Locate and cut the low beam common (white/red stripe) wire approximately 1.0" from the heat shrink covered splice on both adapters.
2. Splice together the common wires (white/red stripe) from the connectors as shown below. Cover with heat shrink tubing or wrap with electrical tape.
3. Cover the short wire from the original splice with heat shrink tubing or electrical tape.
4. Repeat steps 1–3 for the second set of adapters.



Copyright © 2007 Douglas Dynamics, L.L.C. All rights reserved. This material may not be reproduced or copied, in whole or in part, in any printed, mechanical, electronic, film or other distribution and storage media, without the written consent of Blizzard. Authorization to photocopy items for internal or personal use by the Blizzard outlets or snowplow owner is granted.

Blizzard reserves the right under its product improvement policy to change construction or design details and furnish equipment when so altered without reference to illustrations or specifications used. Blizzard or the vehicle manufacturer may require or recommend optional equipment for snow removal. Do not exceed vehicle ratings with a snowplow. Blizzard offers a limited warranty for all snowplows and accessories. See separately printed page for this important information. The following are registered (®) or unregistered (™) trademarks of Douglas Dynamics, L.L.C.: BLIZZARD®.

**Printed in U.S.A.**

---