

**INSTALLATION INSTRUCTIONS**

**⚠ CAUTION**  
Read this document before installing the PRO-GRIP Mount Kit.

**⚠ CAUTION**  
Use standard methods and practices when attaching snowplow and installing accessories including proper personal protective safety equipment.

**⚠ CAUTION**  
See your sales outlet/Web site for specific vehicle application recommendations before installation.

1. Park the vehicle on a smooth, level, hard surface, such as concrete. Lower the blade to the ground, and turn the control to the "OFF" position. Disconnect the snowplow from the vehicle, or turn the vehicle ignition to the "OFF" position and remove the key.
2. The PRO-GRIP Mount Kit will secure your solenoid control to interior vehicle cab surfaces. Possible mounting areas may include, front or side of dash, center console, etc. Location will depend on operator preference and mounting clearance with other vehicle controls.
3. Once the control is properly mounted it can easily be removed and stored.

**INSTALLATION:**

Installation should be done at temperatures above 60°F (15.6°C).

1. Select area of cab where control is to be mounted. Use 4 foot long control extension PN 61845 if additional wire length is needed.
2. Clean installation area and surface of control with isopropyl alcohol or mineral spirits. Allow surfaces to dry for fifteen (15) minutes.

**For Curved Mounting Surfaces:**

Pre-cut the locking strips to 2 inch length and place the strips parallel to curved surface. See Diagram A.

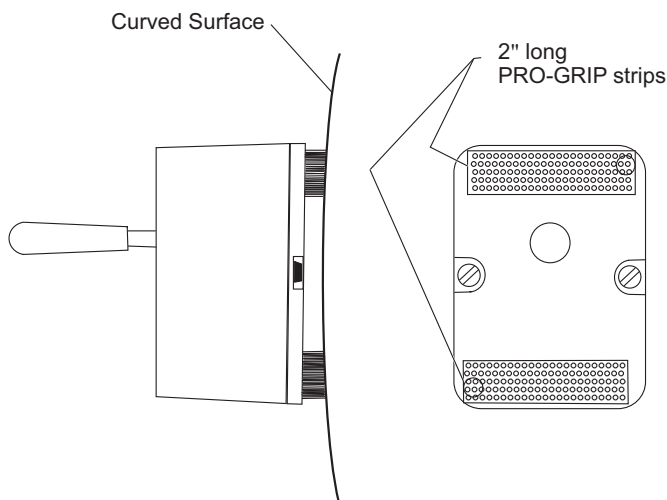


Diagram A

**For Flat Mounting Surfaces:**

Use full length locking strips mounted along the length of control. See Diagram B.

Strips may be placed on the back or the side of the control.

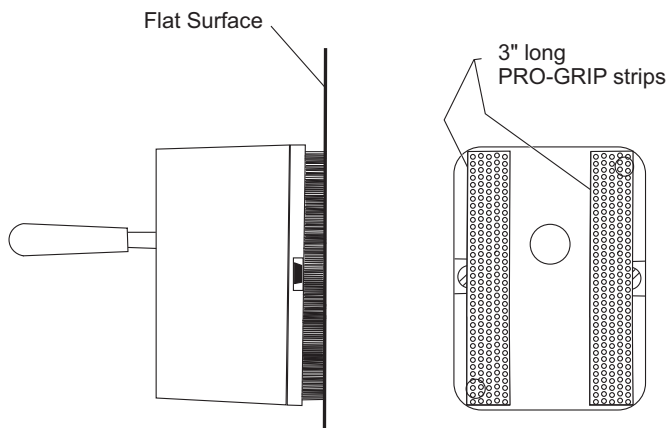


Diagram B

3. Once the selected surfaces are prepared, remove the adhesive back protection strip and press the locking strips into place. Apply pressure across the entire surface to work out any air bubbles which may be trapped.
4. Allow the locking strip adhesive to set for 24 hours before mounting the control to the cab surface.

The solenoid control can be easily removed by applying a sideways lifting motion to the control. Do not apply excessive force to the control. If the control does not release, gently pry up in the opening under the control with a screwdriver or other flat object.

The PRO-GRIP locking strips can be removed from control and mounting location if no longer needed. Adhesive residue can be cleaned up with mineral spirits.

The company reserves the right under its product improvement policy to change construction or design details and furnish equipment when so altered without reference to illustrations or specifications used. This equipment manufacturer or the vehicle manufacturer may require or recommend optional equipment for snow removal. Do not exceed vehicle ratings with a snowplow. The company offers a limited warranty for all snowplows and accessories. See separately printed page for this important information.