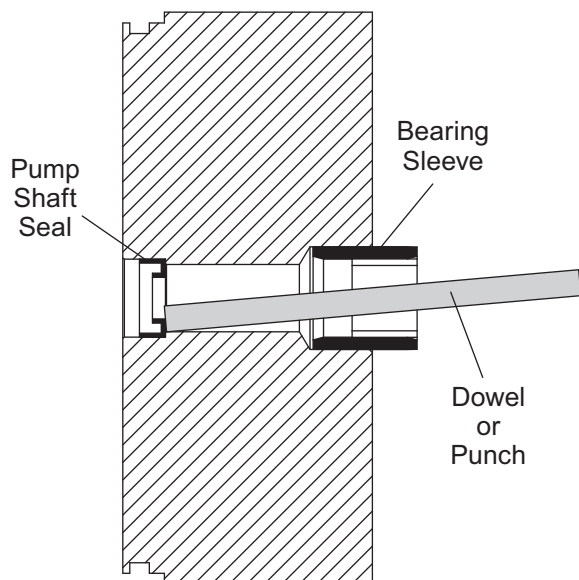


REMOVING DAMAGED PUMP SHAFT SEALS

1. Remove the reservoir, pump, pump alignment ring and motor from the hydraulic manifold. Note the position of the inlet tube retainer.

⚠ CAUTION
 Use care when removing the pump shaft seal. Any damage to the ID of the bearing sleeve or the pump shaft seal bore will degrade the performance and life of your hydraulic system.

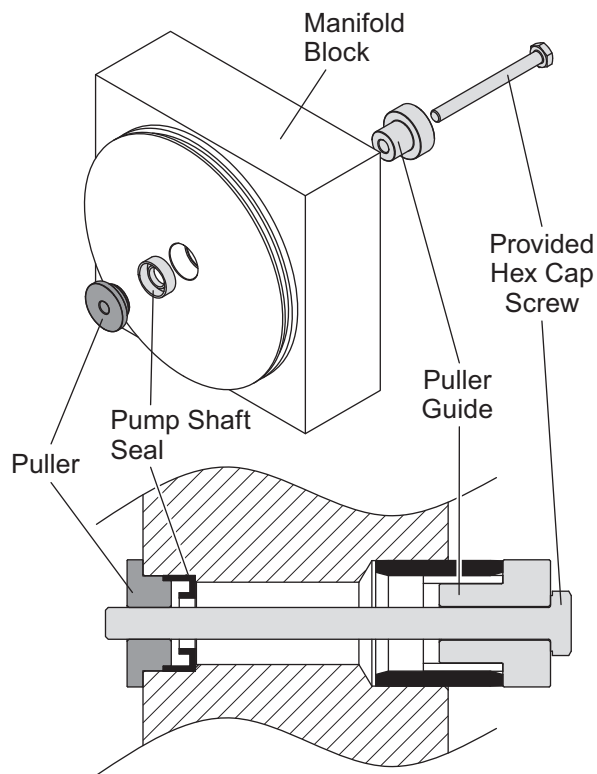
2. From the motor side of the manifold, insert a nonmetal dowel or punch. Use a lightweight hammer to gently drive the seal out of the bore.



INSERTING NEW PUMP SHAFT SEALS

⚠ CAUTION
 Once this procedure has been completed, make sure that the pump shaft seal hasn't been damaged before reassembling the hydraulic unit.

1. After the damaged pump shaft seal has been removed, install the new pump shaft seal onto the puller as shown, and place it into the bore on the reservoir side of the manifold block.

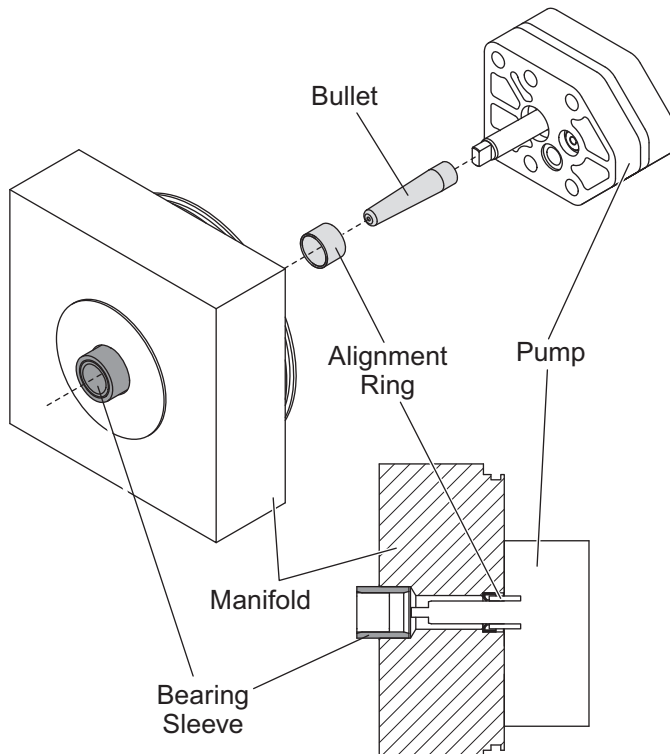


2. Install the puller guide onto the supplied hex cap screw, and hand turn the cap screw into the puller from the motor side of the manifold.
3. Turn the cap screw into the puller until the puller contacts the manifold block.
4. Remove the cap screw, puller and puller guide.

PUMP INSTALLATION AND ALIGNMENT

1. Place the pump alignment ring into the pump shaft seal bore of the manifold.
2. Install the pump shaft seal bullet onto the tang of the pump shaft.
3. Generously coat the bullet and pump shaft with the recommended hydraulic fluid and insert the pump shaft into the manifold block.
4. Remove the pump shaft bullet and install the pump fasteners and retainer. Alternately tighten the pump fasteners to 150–160 in-lb.

NOTE: Refer to enclosed documents for hydraulic assembly information.



The company reserves the right under its product improvement policy to change construction or design details and furnish equipment when so altered without reference to illustrations or specifications used. This equipment manufacturer or the vehicle manufacturer may require or recommend optional equipment for snow removal. Do not exceed vehicle ratings with a snowplow. The company offers a limited warranty for all snowplows and accessories. See separately printed page for this important information.

Printed in U.S.A.