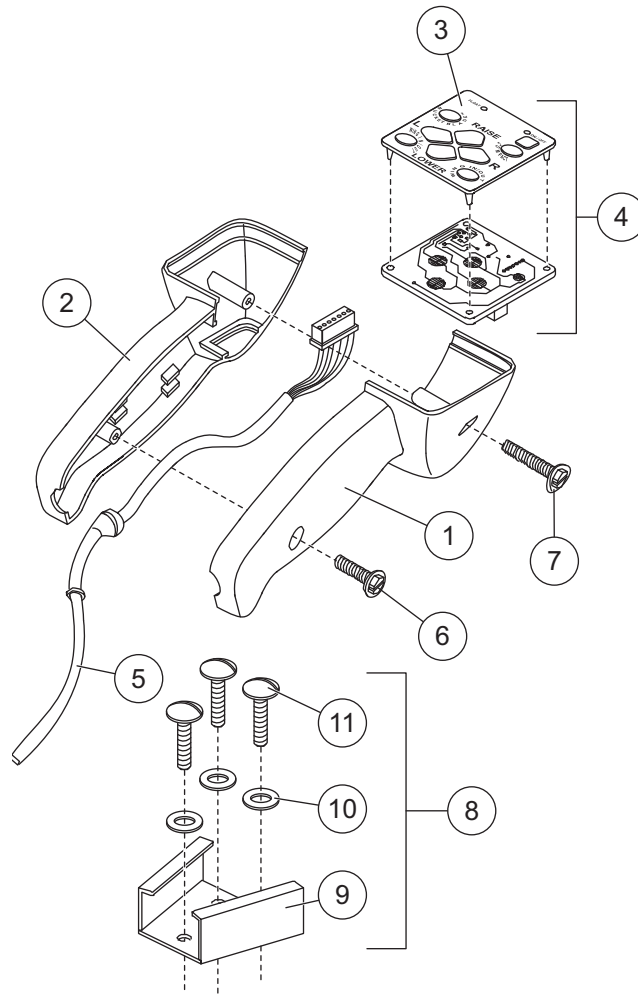




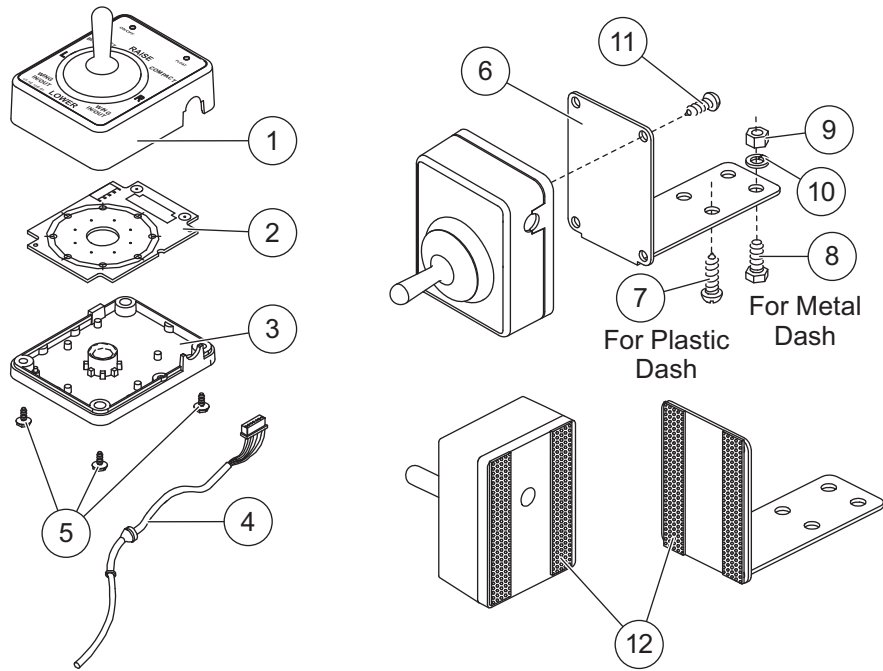
CONTROL KITS

POWER PLOW® POWER GRIP™ Hand-Held and POWER PLOW Joystick Control

PARTS LIST



96990 BLIZZARD® Hand-Held Control							
Item	Part	Qty	Description	Item	Part	Qty	Description
1	96456	1	Control Body – Right	6	93173	1	8-18 x 3/4 Tapping Screw
2	96457	1	Control Body – Left	7	93174	1	8-18 x 1-1/4 Tapping Screw
3	41188	1	Keypad – POWER PLOW (9-Button)	8	64312	1	Parts Bag – Control Bracket
4	41189	1	PC Board & Keypad – 9-Button (4-Pin)	64312 Parts Bag – Control Bracket			
5	96464	1	Harness – 9-button (4-Pin)	9	56436	1	Control Bracket
				10	91230	3	6 Spring Lock Washer
				11	80135	3	6-32 x 1 Tapping Screw



96995 BLIZZARD® Joystick Control							
Item	Part	Qty	Description	Item	Part	Qty	Description
1	41190	1	Cover Assy w/Actuator Spring & Label	4	96352	1	Harness (4-Pin)
2	96353	1	PC Board (4-Pin)	5	96364	3	4 x 3/8 Tapping Screw
3	96366	1	Bottom Housing	ns	96363	1	Dash Bracket Parts Bag
96363 Dash Bracket Parts Bag							
6	7718	1	Control Bracket	10	91201	2	1/4 Spring Lock Washer
7	90659	4	12-14 x 3/4 Tapping Screw	11	93154	2	8-18 x 5/8 Tapping Screw
8	90461	2	1/4-20 x 3/4 Hex Cap Screw G5	12	49305K	1	PRO-GRIP Mounting Kit
9	91411	2	1/4-20 Hex Nut G5				
ns = not shown				G = Grade			

Copyright © 2009 Douglas Dynamics, L.L.C. All rights reserved. This material may not be reproduced or copied, in whole or in part, in any printed, mechanical, electronic, film or other distribution and storage media, without the written consent of Blizzard. Authorization to photocopy items for internal or personal use by the Blizzard outlets or snowplow owner is granted.

Blizzard reserves the right under its product improvement policy to change construction or design details and furnish equipment when so altered without reference to illustrations or specifications used. Blizzard or the vehicle manufacturer may require or recommend optional equipment for snow removal. Do not exceed vehicle ratings with a snowplow. Blizzard offers a limited warranty for all snowplows and accessories. See separately printed page for this important information. The following are registered (®) or unregistered (™) trademarks of Douglas Dynamics, L.L.C.: BLIZZARD®, BUCKET BLADE™, POWER GRIP™, POWER PLOW®.

Printed in U.S.A.