

BLIZZARD[®] **SNOWPLOWS**

Straight Blade Snowplows

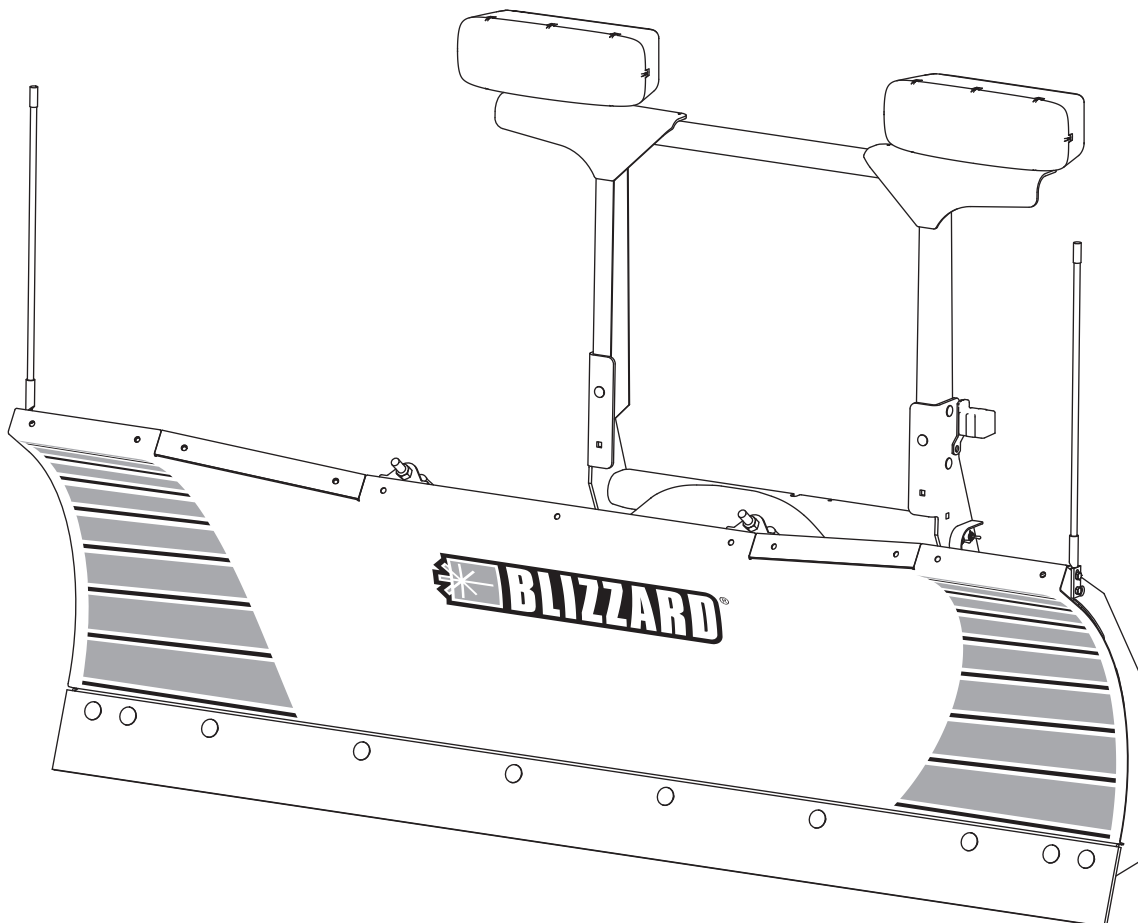
Models 7600LT & 8000LT

7600LT Blade Crate Assembly 57500

8000LT Blade Crate Assembly 57501

Big Box Assembly 57505

Parts List



BLADE COMPONENTS 4

OFF-TRUCK COMPONENTS..... 6

 Pivot Beam, Light Tower and A-Frame 6

 Hydraulic Unit..... 8

 Lift and Angle Rams 10

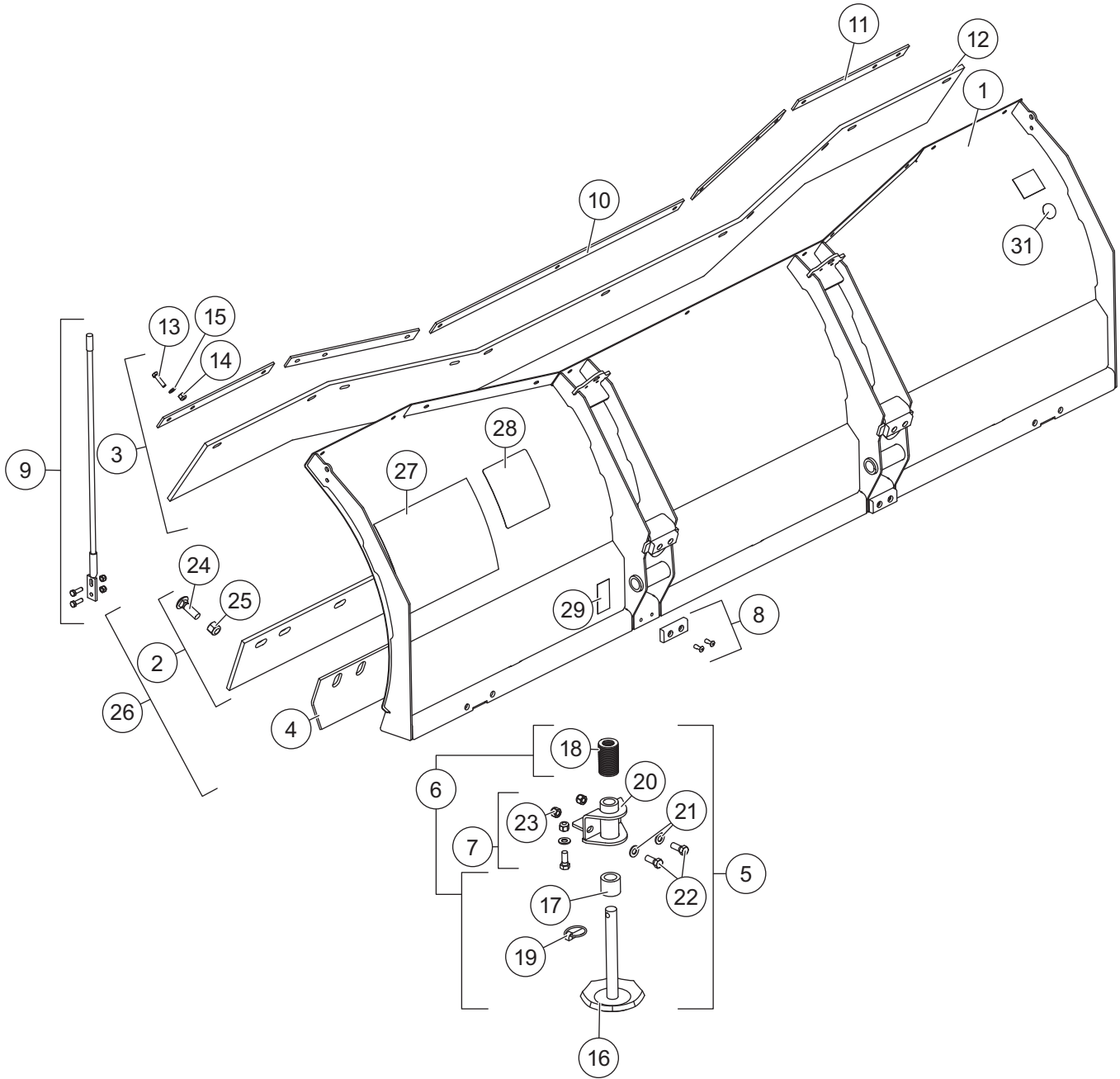
 Hoses and Fittings 10

 Electrical Components..... 11

 Vehicle-Side Wiring Diagram – 3-Port, 2-Plug Systems 12

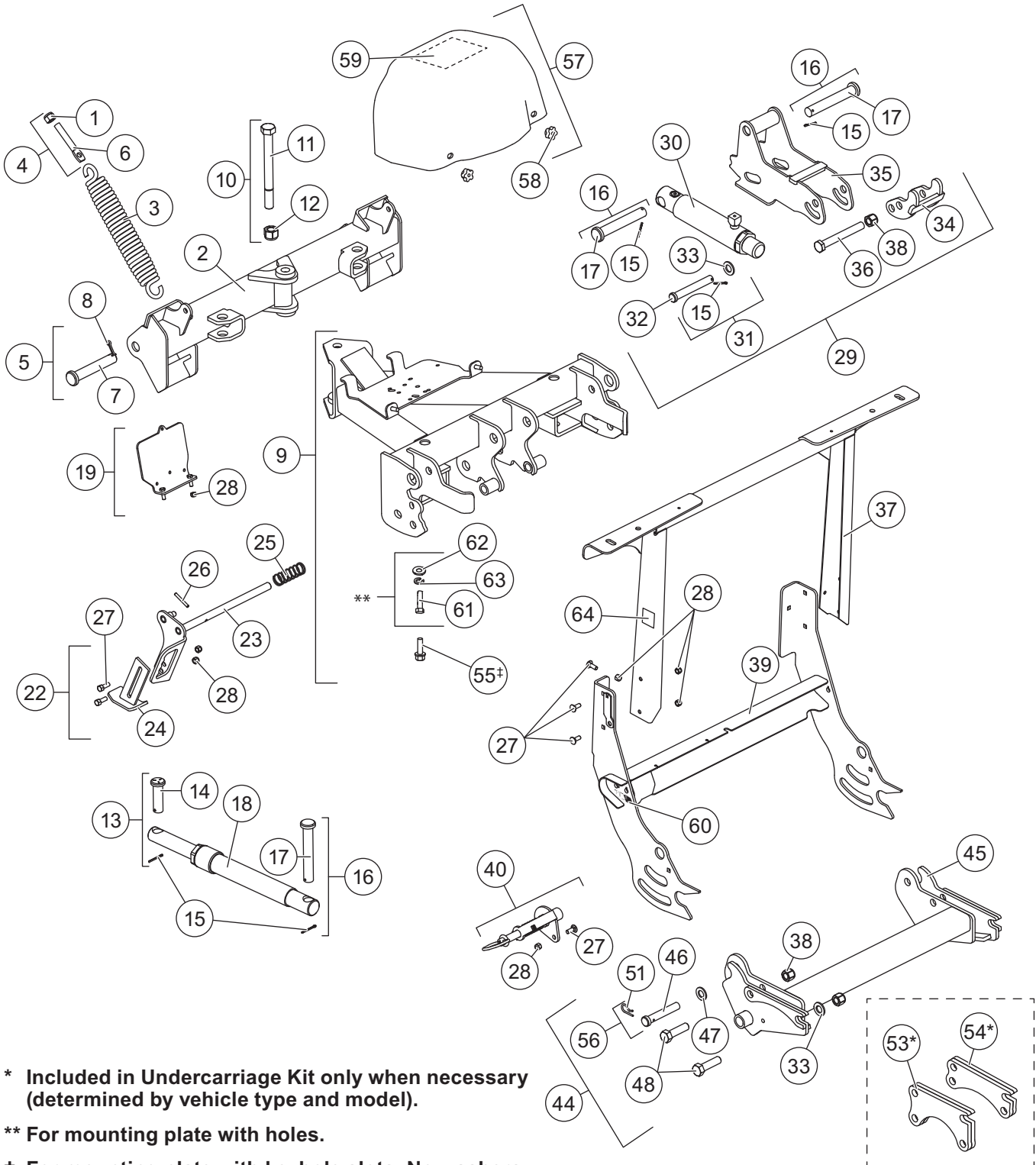
 Headlamp Kit 13

Blade Components



Blade Components					
Item	Part	Description	Item	Part	Description
1	40553	7600LT Blade	16	60217	HD Disc Shoe
	40554	8000LT Blade	17	60045	Spacer
2	28594	7-1/2' Cutting Edge Kit (3/8")	18	91192	1-3/4 Flat Washer Special
	40552	8' Cutting Edge Kit (3/8")	19	93010	7/16 x 1-3/4 Linchpin
	40597†	8' Cutting Edge Kit (1/2")	20	40477	Shoe Holder
3	40506†	Deflector Kit	21	29243	1/2 Flat Washer Narrow
4	64758†	7-1/2' Back Drag Edge Kit	22	90575	1/2-13 x 1-1/4 Hex Cap Screw G5
	66892†	8' Back Drag Edge Kit	23	91335	1/2-13 Hex Locknut GB
5	40501†	Shoe Assembly Kit	24	5572	5/8-11 x 2 Carriage Bolt G5
6	49071†	HD Disc Shoe Assembly	25	91337	5/8-11 Hex Locknut GB
7	40508	Shoe Mounting Kit	26	40411	7600LT Blade Assembly
8	63976	Push Stop Kit		40412	8000LT Blade Assembly
9	B61049	Plow Guide Assembly	27	48208	Label, POWER HITCH™ Attach/Detach
10	40502	Hold Down, Center	28	59900	Label, Warning/Caution – Snowplows
11	40503	Hold Down, Outer	29	29256	Label, Foot Crush Hazard
12	40505	Rubber Deflector	31	56581	Label, CE Marking (1.5 kW)
13	90048	5/16-18 x 1-1/4 Hex Cap Screw G5	ns	40536	Label, Moldboard – PS
14	91332	5/16-18 Hex Locknut GB	ns	40535	Label, Moldboard – DS
15	B61412	5/16 Flat Washer Hardened	ns	B63163	Label, Straight Blade Center
ns = not shown		† = Accessory Only		G = Grade	

Pivot Beam, Light Tower and A-Frame Components



* Included in Undercarriage Kit only when necessary (determined by vehicle type and model).

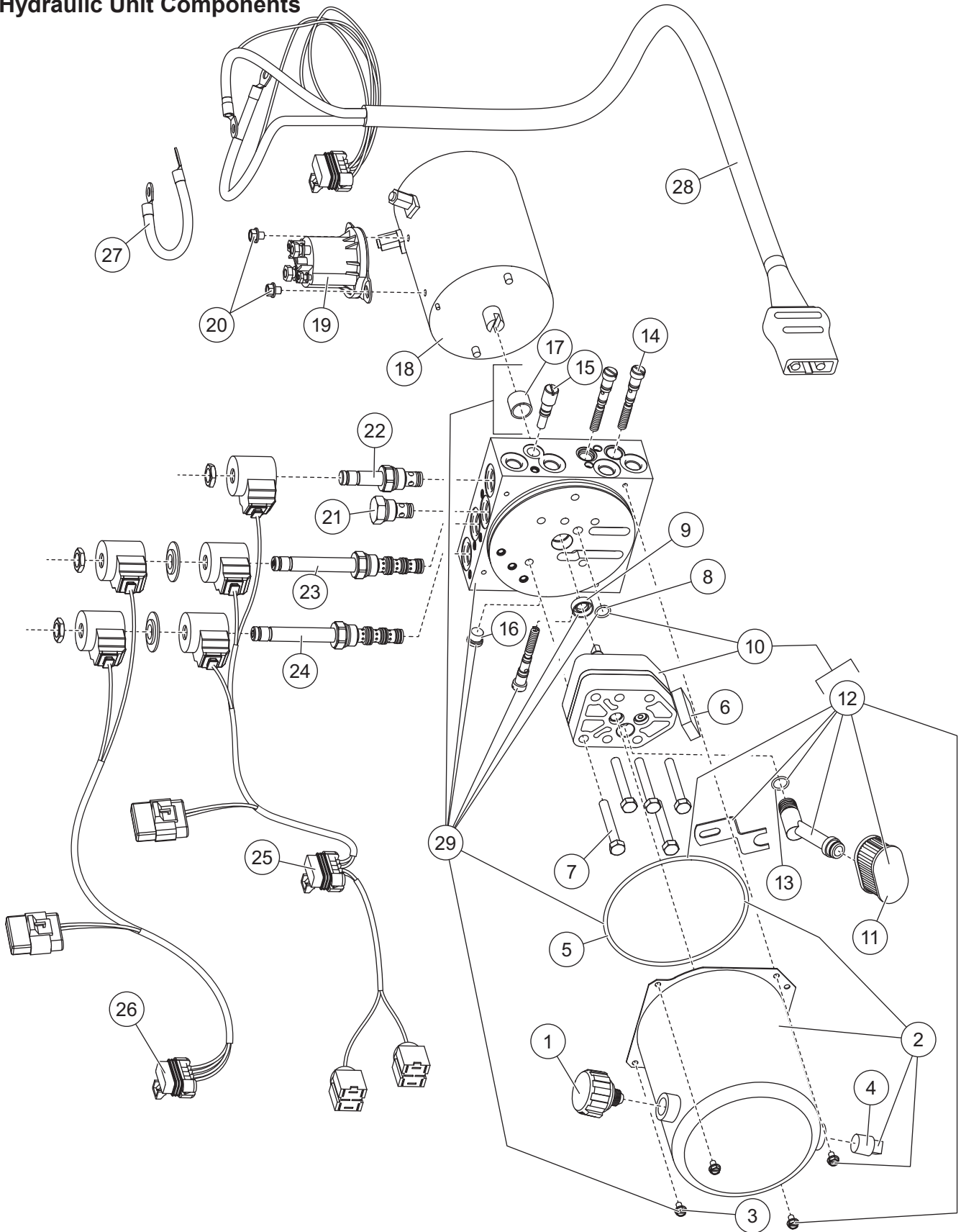
** For mounting plate with holes.

‡ For mounting plate with keyhole slots. No washers.

Pivot Beam, Light Tower and A-Frame Components							
Item	Part	Qty	Description	Item	Part	Qty	Description
1	91337	2	5/8-11 Hex Locknut GB	26	67635	3	1/4 x 2 Roll Pin BP
2	40518	1	Pivot Beam	27	90201	8	3/8-16 x 1 Carriage Bolt G5
3	23039	2	Trip Spring	28	91333	11	3/8-16 Hex Locknut GB
4	50655	2	Eyebolt Kit	29	40519	1	Draw Latch Assembly
5	7905K	2	Packet, Pivot Pin w/Cotter	37	41124-1	1	Light Tower, Upper
6	90490	2	5/8-11 x 4 Eyebolt G2	38	91338	5	3/4-10 Hex Locknut GB
7	6817	2	1 x 6 Pivot Pin	39	41125-1	1	Light Tower, Lower
8	90013	2	1/4 x 2 Cotter Pin	40	41129-1	2	Hitch Pin Kit
9	40544	1	A-Frame	44	40512	1	Mount Adapter Assembly
10	40545	1	Pivot Bolt Kit	53*	40514	2	Height Adjustment Plate – Tall
11	64362	1	7/8-9 x 9 Hex Cap Screw	54*	40515	2	Height Adjustment Plate – Short
12	64363	1	7/8-9 Hex Locknut GB	55	48659	4	5/16-24 x 3/4 Hex Flange Bolt G5
13	40546	2	Ram Pin Kit	56	40517-1	2	Receiver Hardware Kit
14	93074	2	1 x 3-3/4 Clevis Pin G5	57	40549	1	Cover Assembly
15	91911	7	5/32 x 1-1/2 Cotter Pin	60	48207	1	Label, POWER HITCH™ Switch ID
16	40547	4	Ram Pin Kit	61	66437	4	5/16-24 x 1 Hex Cap Screw G5
17	40458	4	1 x 6-1/2 Clevis Pin	62	90313	4	5/16 Flat Washer
18	40555	2	Ram Assembly	63	91202	4	5/16 Lock Washer
19	40548	1	Module Mounting Plate Kit	64	69689	1	Label, SECURITY GUARD™
22	40509	1	Stand Assembly				
Item 22				40509 Stand Assembly			
23	40510	1	Stand Upper	26	67635	1	1/4 x 2 Roll Pin BP
24	40511	1	Stand Lower	27	90201	2	3/8-16 x 1 Carriage Bolt G5
25	821	1	1 x 3-1/2 Compression Spring	28	91333	2	3/8-16 Hex Locknut GB
Item 29				40519 Draw Latch Assembly			
15	91911	3	5/32 x 1-1/2 Cotter Pin	34	40525	1	Draw Latch Hook
17	40458	2	1 x 6-1/2 Clevis Pin	35	40526	1	Draw Latch
30	40520	1	2 x 5-1/2 Ram Assembly	36	66451	1	3/4-10 x 6 Hex Cap Screw G5
32	64390	1	3/4 x 5-3/8 Clevis Pin G5	38	91338	1	3/4-10 Hex Locknut GB
33	91147	1	3/4 Flat Washer Narrow				
Item 44				40512-1 Mount Adapter Assembly			
33	91147	2	3/4 Flat Washer Narrow	47	43133	2	3/4 Narrow Washer
38	91338	4	3/4-10 Hex Locknut GB	48	66449	4	3/4-10 x 2-3/4 Hex Cap Screw G5
45	40513-1	1	Mount Adapter	51	42142	2	1/8 x 1-9/16 R-Pin Cotter
46	40496	2	3/4 x 4-3/8 Clevis Pin				
Item 57				40549 Cover Assembly			
		1	Cover	58	B61628	2	3/8-16 Clamping Knob
59	48268	1	Label – Information, BD Straight				
ns = not shown				G = Grade			

* The height adjustment plates are not included in the Crate Assembly Box, and are not required for all applications. When required, the correct plates are packaged and sold with the Undercarriage Kits.

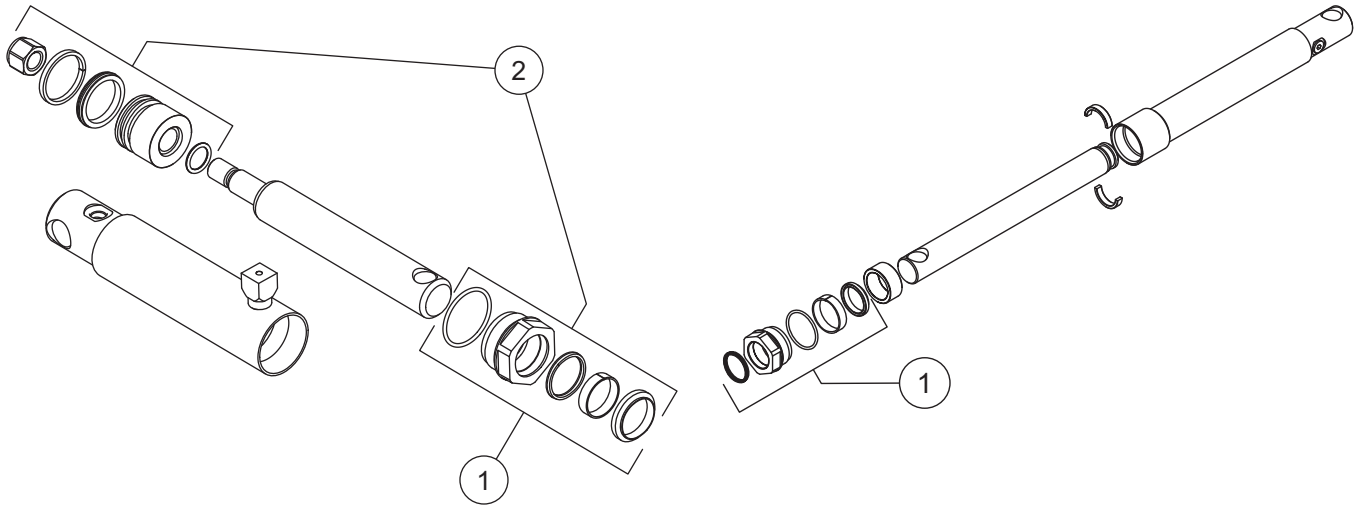
Hydraulic Unit Components



48296 Hydraulic Unit							
Item	Part	Qty	Description	Item	Part	Qty	Description
1	48278	1	Breather	ns	48284	1	Bearing Repair Tool Kit w/Bearing
2	48279	1	Reservoir Kit	18	48285	1	Motor
3	66607	4	10-24 x 5/16 Machine Screw	19	42903	1	Motor Relay Kit, FLEET FLEX
4	92079	1	3/8 Plug NPTF Square	20	29099	2	1/4-20 x 1/4 Hex Washer-Head Thread-Rolling Screw
5	66519	1	O-Ring 2-250	21	48287	1	Check Valve
6	73897	1	Magnet	22	48288	1	Valve, 2-Way NC w/Rev Flow
7	90073	5	5/16-18 x 2-1/4 Hex Cap Screw G5	23	48289	1	Valve, 4-Way, 3-Position
8	56274	1	O-Ring – 013	24	48291	1	Valve, 4-Way, 3-Position Closed Center
9	66515	1	Pump Shaft Seal	25	29849	1	Plow Control Harness, 3-Coil
ns	48302	1	Seal Repair Tool Kit w/Seal	26	29851	1	Plow Control Harness, 2-Coil
10	48280	1	Hydraulic Pump Kit	27	29071	1	Cable Assembly 8"
11	48281	1	Filter	28	48295	1	Snowplow Battery Cable
12	48316	1	Inlet Fitting/Filter Kit	29	48300	1	Manifold Assembly w/o Valves
13	56416	1	O-Ring – 014	ns		3	Fuse – 5-amp Mini Automotive Blade-Style (for items 25 and 26)
14	48283	3	Relief Valve (1 set)				
15	48241	1	Stem Assembly Needle Valve				
16	44344	1	Plug, Hex Socket –4 M ORB				
17*	56364	1	Bearing Sleeve				
O-Ring Service Kits							
–	48301	–	O-Ring Kit	–	48310	–	Seal Kit – 2-Way Valves
–	48309	–	Seal Kit – 3-Way & 4-Way Valves				
ns = not shown				G = Grade			

* Use 48284 tool to install.

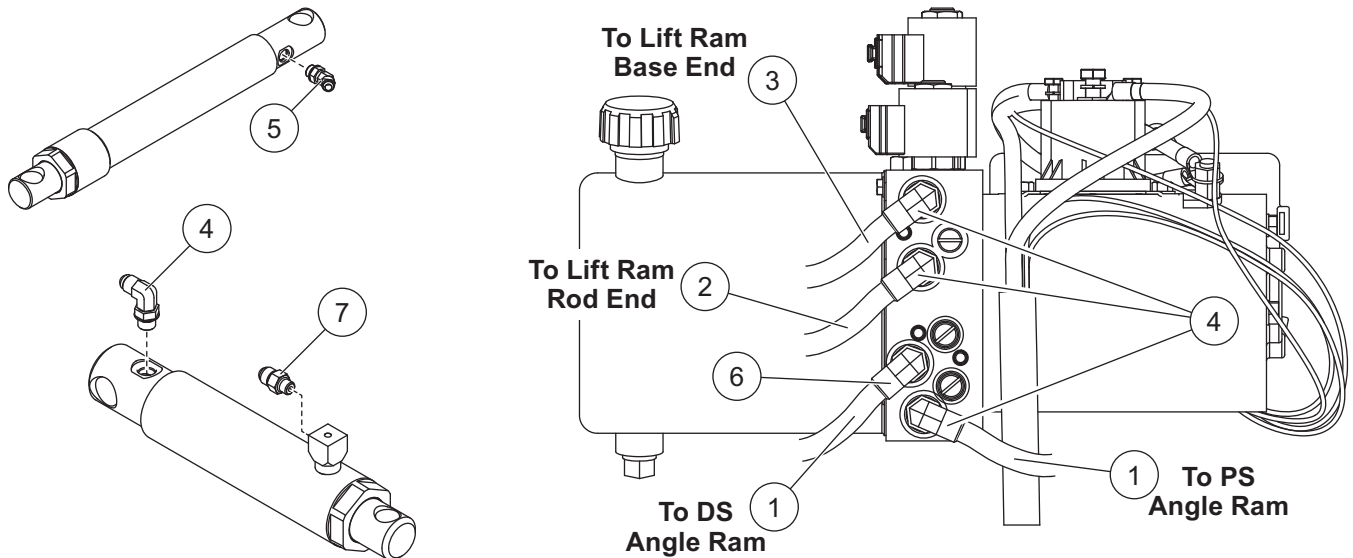
Lift and Angle Ram Components



40520 Lift Ram Assembly 2 x 5-1/2			
Item	Part	Qty	Description
1	48985	1	Gland Nut Assembly 1-1/2"
2	49498	1	Piston and Gland Nut 2" DA Ram

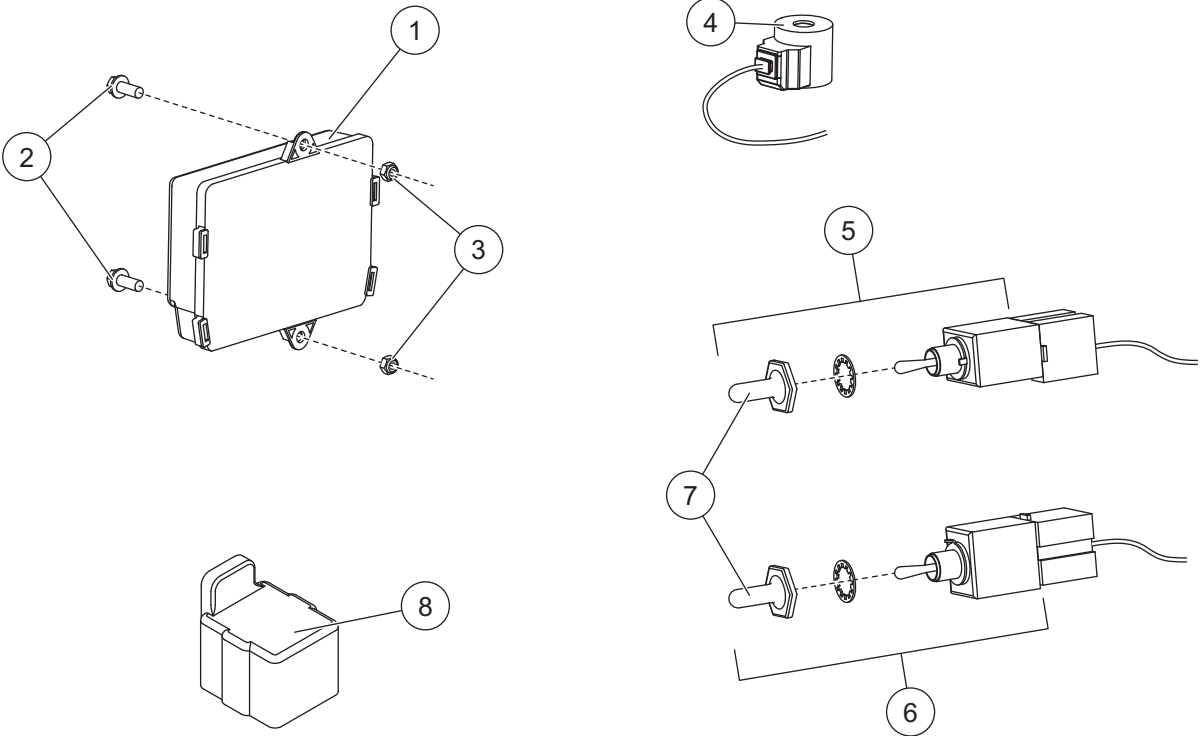
40555 Angle Ram Assembly 1-1/2 x 10			
Item	Part	Qty	Description
1	48985	1	Gland Nut Assembly 1-1/2"

Hoses and Fittings



Hoses and Fittings							
Item	Part	Qty	Description	Item	Part	Qty	Description
1	40568	2	Hose, 1/4 x 12 w/F JIC Ends	6	40572	1	Elbow, Extra Long 90° -6 M JIC/-6 M ORB
2	40570	1	Hose, 1/4 x 22 w/F JIC Ends	7	48332	1	Connector, Short -6 M JIC/-4 M ORB
3	40569	1	Hose, 1/4 x 16 w/F JIC Ends				
4	40571	4	Elbow, 90° -6 M JIC/-6 M ORB				
5	48333	2	Elbow, 45° -6 M JIC/-6 M ORB				
F = Female				M = Male or Metric			

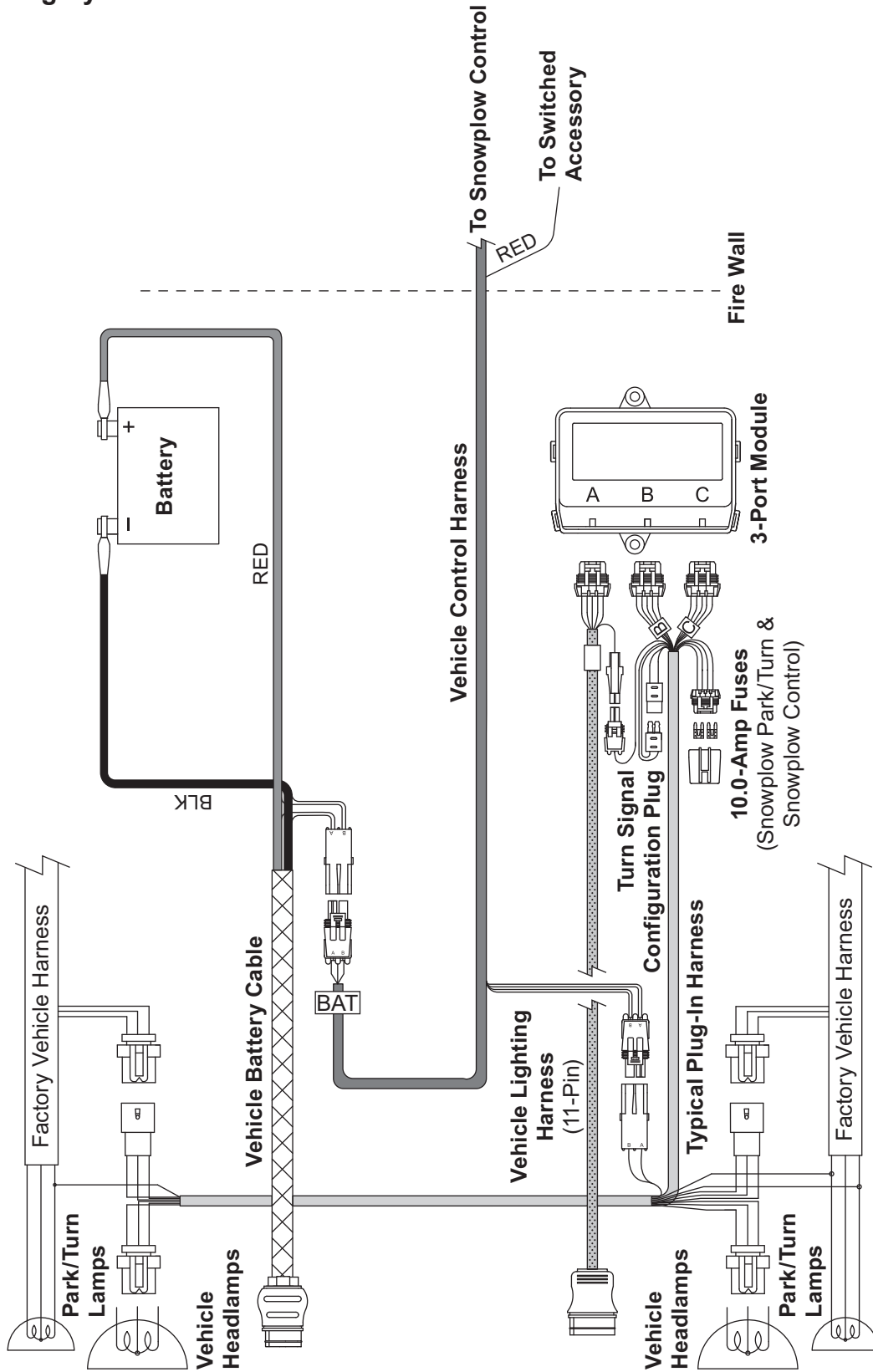
Electrical Components



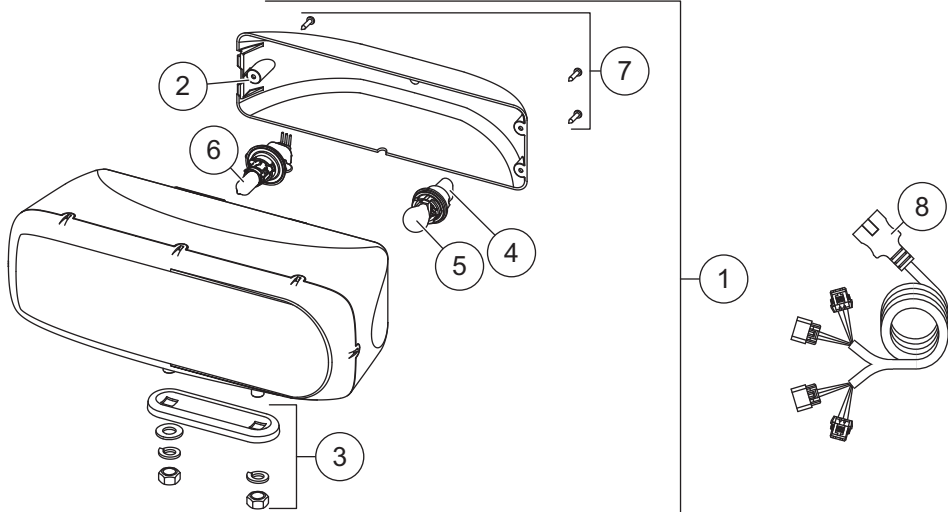
Plow-Side Electrical Components							
Item	Part	Qty	Description	Item	Part	Qty	Description
1	44354-3	1	Plow Module	6	40576	1	Toggle Switch (MOM-ON, OFF, MOM-ON)
2	44355	2	1/4-20 x 5/8 Hex Washer-Head Thread-Rolling Screw	7	48259	2	Switch Boot
3	91331	2	1/4-20 Hex Locknut GB	8	61246	1	Cable Boot
4	48294	5	Coil w/Wire Leads				
5	40575	1	Toggle Switch (MOM-ON, OFF, ON)				
Vehicle-Side Electrical Components							
*	42014	1	Vehicle Battery Cable	ns	48325	2	Plug Cover
*	28587	1	Vehicle Control Harness				
ns = not shown				G = Grade			

* For diagram see Vehicle-Side Harness Diagram

Vehicle-Side Harness Diagram
3-Port, 2-Plug System

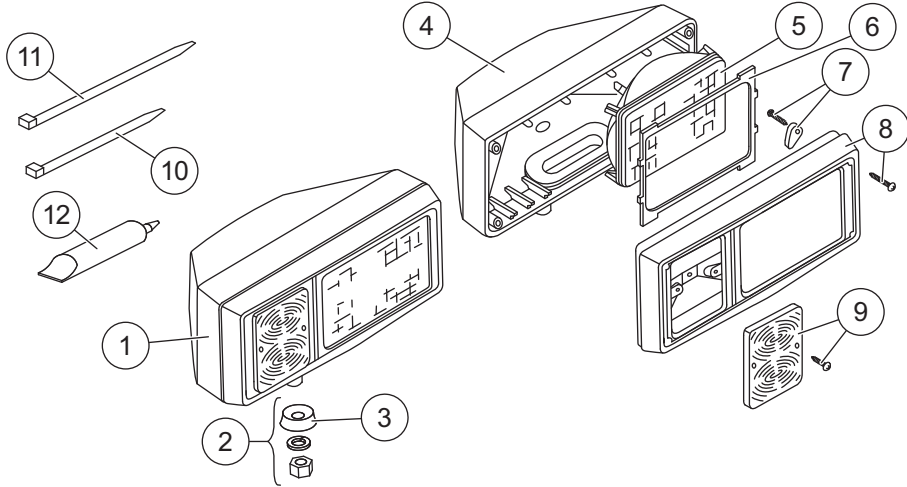


Headlamp Kit



28800-1 Headlamp Kit (Pair)							
Item	Part	Qty	Description	Item	Part	Qty	Description
1	28801-1	1	Headlamp Service Kit – DS	5	2	2	Park/Turn Bulb (trade no. 4157NAK)
ns	28802-1	1	Headlamp Service Kit – PS	6	28806	2	H13 Headlamp Bulb Service Kit
2	28803-1	2	Rear Cover Kit (fits 2- or 3-screw)	7	28808-1	2	Cover Screws Service Kit (pkg of 3)
3	28804	2	Mounting Hardware Kit	8	28213K	1	Harness Service Kit
4	28805	2	Park/Turn Socket Service Kit				

ns = not shown



Headlamp Kit (Pair)							
Item	Part	Qty	Description	Item	Part	Qty	Description
ns	40556	1	Headlamp – Pair (w/o plow harness)	7	40564	2	Retaining Finger & Fastener (4 each)
ns	40557	1	Headlamp – DS	8	40565	2	Bezels with Fasteners (DS or PS)
1	40558	1	Headlamp – PS	9	40566	2	Park/Turn Lens with Fasteners
2	40559	2	Swivel and Hardware Assembly	10	59223	4	Cable Tie
3	40560	2	Headlamp Swivel	11	61536	7	Cable Tie, Long
4	49298	2	Headlamp Housing Assembly (fits DS or PS)	12	56099	1	.25 oz Dielectric Grease Tube
5	40562	2	Replacement Sealed Beam 2E1	ns	40567	2	Park/Turn Socket Kit
6	40563	1	Headlamp Gaskets (1 pair)	ns		4	Park/Signal Bulb (trade no. 1157)
				ns	B44930	1	Plow Lighting Harness, 11-pin

ns = not shown



Blizzard
PO Box 245038
Milwaukee, WI 53224-9538
www.blizzardplows.com

 A DIVISION OF DOUGLAS DYNAMICS, L.L.C.

Copyright © 2013 Douglas Dynamics, L.L.C. All rights reserved. This material may not be reproduced or copied, in whole or in part, in any printed, mechanical, electronic, film or other distribution and storage media, without the written consent of Blizzard. Authorization to photocopy items for internal or personal use by Blizzard outlets or snowplow owner is granted.

Blizzard reserves the right under its product improvement policy to change construction or design details and furnish equipment when so altered without reference to illustrations or specifications used. Blizzard or the vehicle manufacturer may require or recommend optional equipment for snow removal. Do not exceed vehicle ratings with a snowplow. Blizzard offers a limited warranty for all snowplows and accessories. See separately printed page for this important information. The following are registered (®) or unregistered (™) trademarks of Douglas Dynamics, L.L.C.: BLIZZARD®, POWER HITCH™, POWER HITCH™ 2, SECURITY GUARD™.

Printed in U.S.A.