

BLIZZARD[®]

SNOWPLOWS

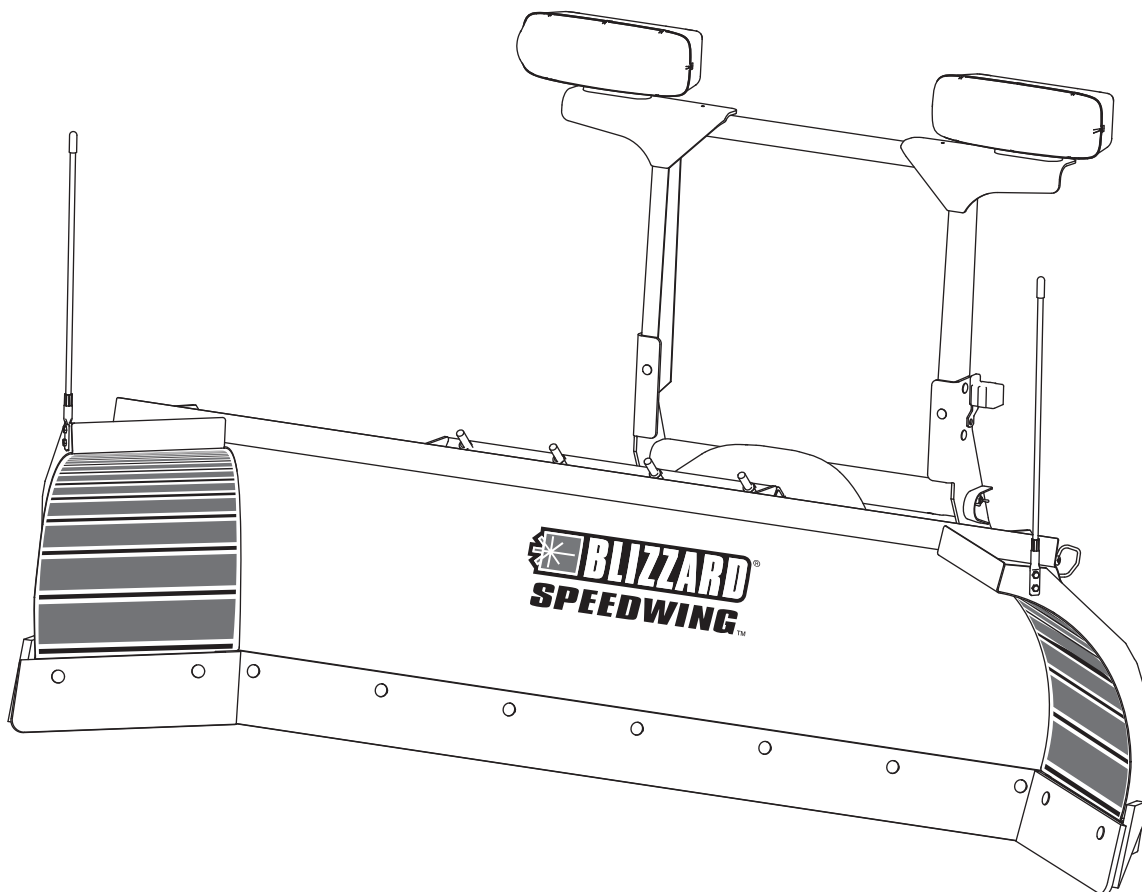
SPEEDWING[™] Snowplow

Model 8600SW

Blade Crate Assembly 57520-1

Big Box Assembly 57525

Parts List



This Parts List is for BLIZZARD[®] SPEEDWING snowplows with serial numbers beginning with 081007–120101.

BLADE COMPONENTS 4

OFF-TRUCK COMPONENTS..... 8

 Pivot Beam, Light Tower and A-Frame 8

 Hydraulic Unit..... 12

 Lift and Angle Rams 14

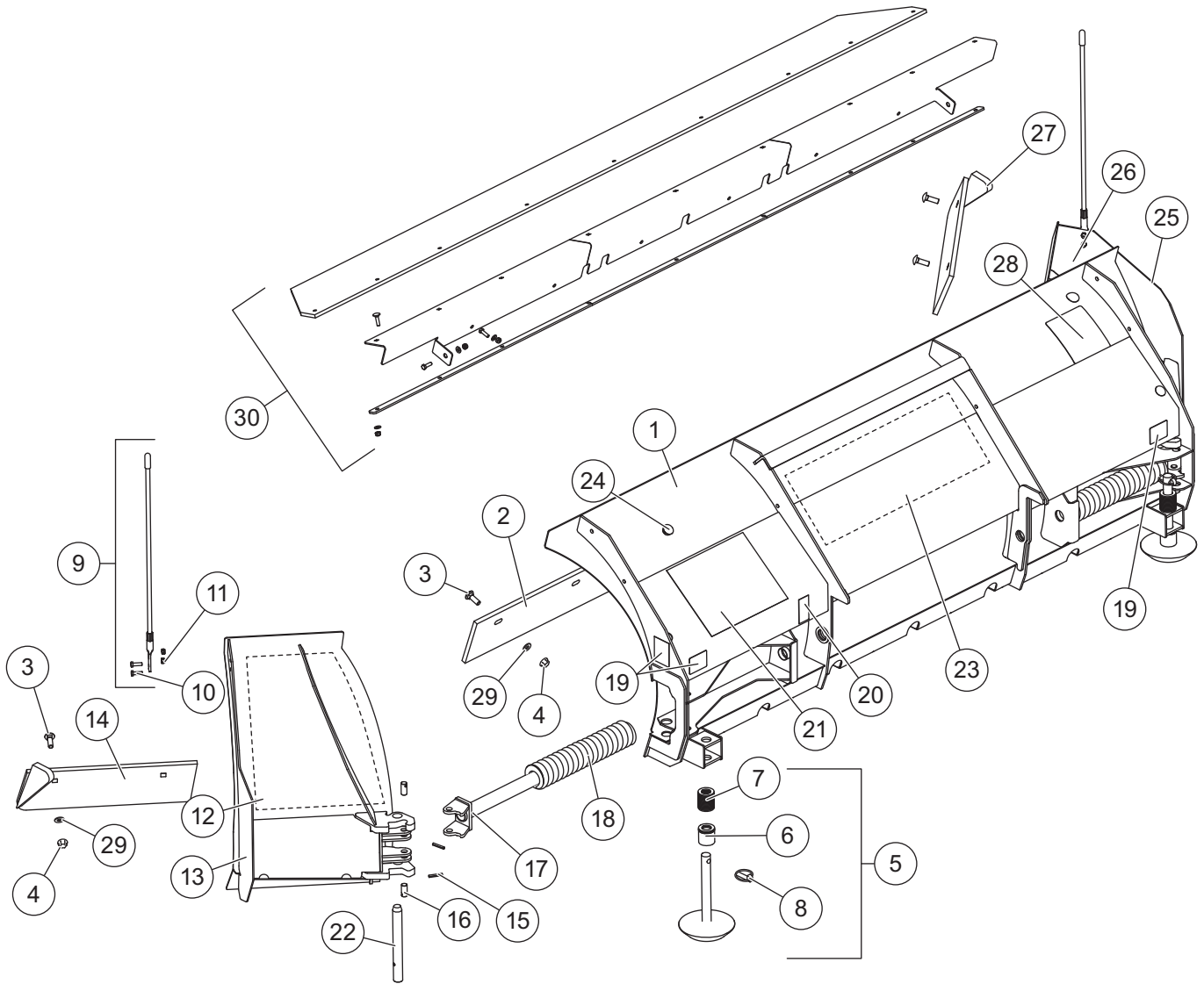
 Hoses and Fittings 14

 Electrical Components..... 15

 Vehicle-Side Wiring Diagram – 3-Port, 2-Plug Systems 16

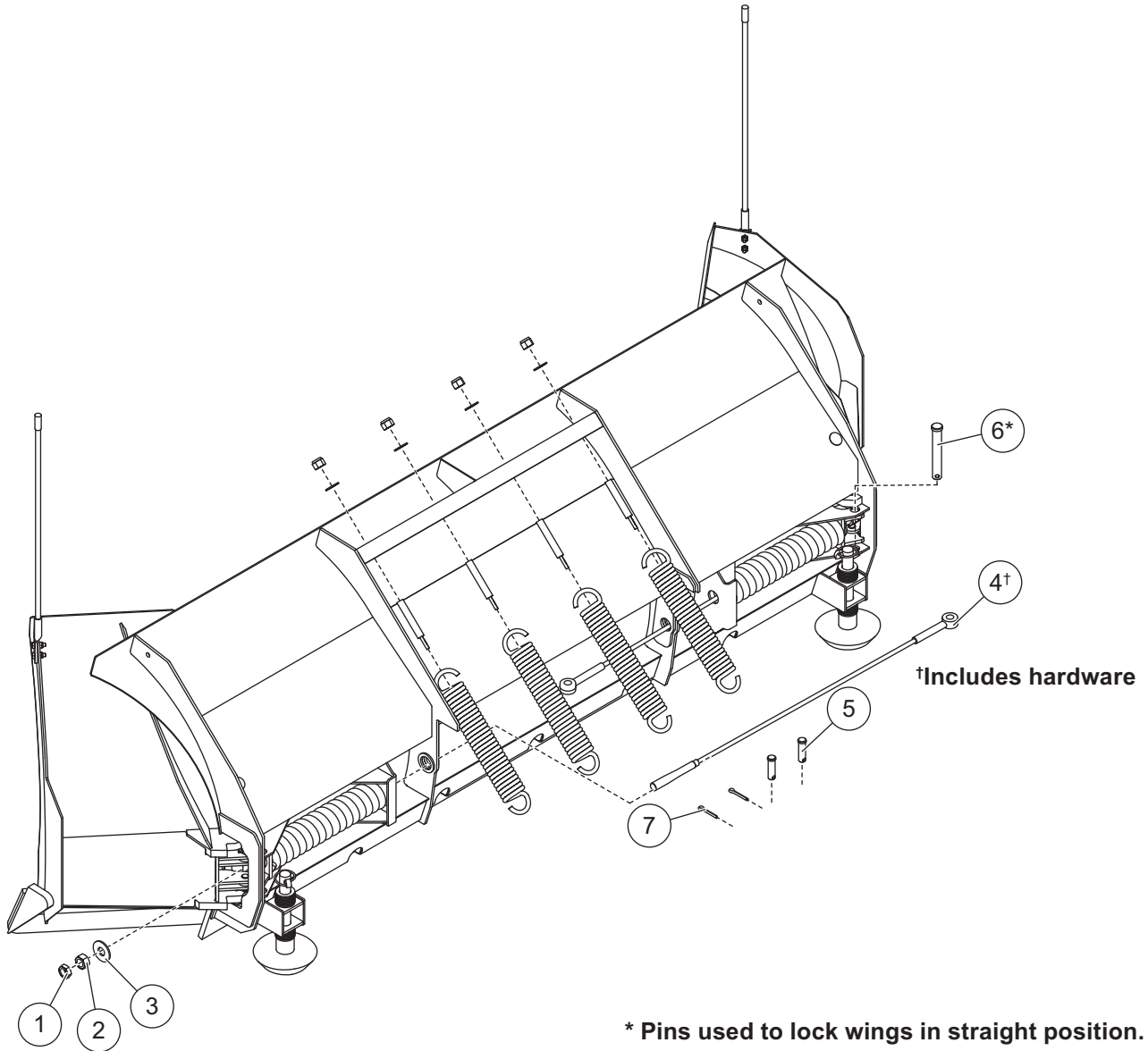
 Headlamp Kit 17

Blade Components



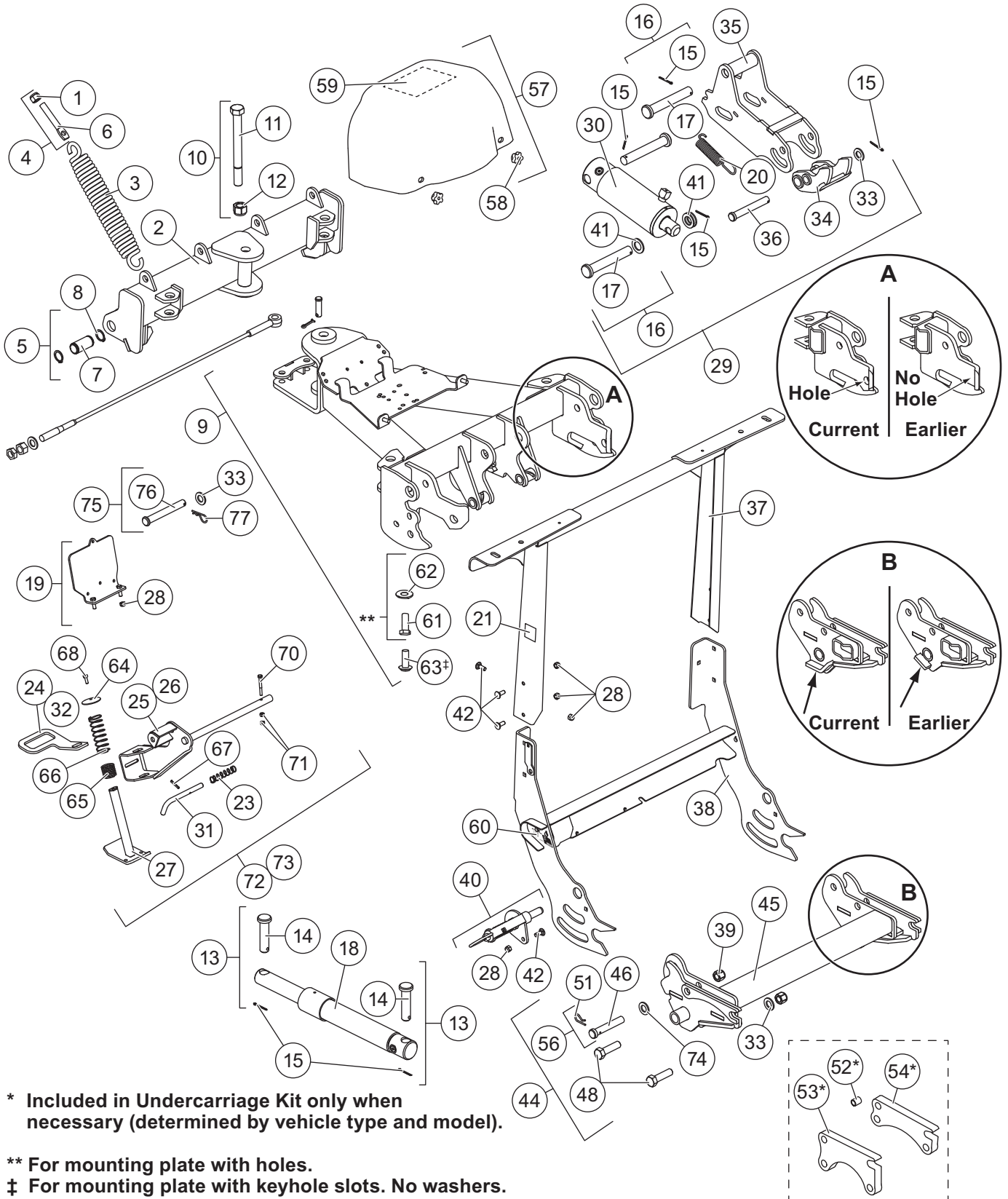
48488-1 Moldboard Assembly			
Item	Part	Qty	Description
1	48487-1	1	Moldboard
2	B61570	1	Cutting Edge, Moldboard
3	90238	11	1/2-13 x 1-3/4 Carriage Bolt G8
4	91335	11	1/2-13 Hex Locknut Topring GB
5	49071	2	HD Plow Shoe Assembly
6	60045	2	1-1/8 ID, 1-5/8 OD x 1-1/2 Spacer
7	91192	52	Flat Washer, Special
8	93010	2	7/16 x 1-3/4 Linchpin
9	B61049	1	Blade Guide Assembly
10	68494	4	5/16-18 x 1 Hex Cap Screw G5
11	91332	4	5/16-18 Hex Locknut GB
12	96327	1	Wing Label – DS
13	B53062-1	1	Wing – DS
14	B61610	1	Cutting Edge, Wing – DS
15	B61341	6	Spring Pin Ø.25 x 1.5
16	B61577	4	Pin, Wing Spring Mount
17	B53076	2	Guide, Wing Spring
18	69695	4	Compression Spring
19	29593	4	Label – Multiple Pinch Points
20	29256	1	Label – Crush Hazard
21	49443	1	Label – POWER HITCH™ 2 Attach/Detach
22	B61572	2	Wing Mounting Pin
23	B63175	1	Label, Center Moldboard (BLZ 1085)
24	B61614	2	Plug, Ø1.00 Finishing
25	B53075-1	1	Wing – PS
26	96328	1	Wing Label – PS
27	B61611	1	Cutting Edge, Wing – PS
28	59900	1	Label – Warning/Caution, Snowplows
29	90572	11	1/2 Hardened Flat Washer
30 [‡]	78219	1	Deflector Kit
ns [‡]	B52093	1	Snowplow Airfoil
ns = not shown		‡ = Accessory Only	G = Grade

Blade Components



Blade Components			
Item	Part	Qty	Description
1	B61615	2	3/4-10 Hex Jam Nut
2	B61343	2	3/4-10 Hex Nut
3	B61576	2	3/4 USS Hardened Washer
4	40988	2	Cable Assembly w/Hardware 860SW (incl. items 1, 2, 3, 5 and 7)
5	B61563	2	Ø .625 x 2.33 Clevis Pin
6	95739	2	3/4 x 5.0 Clevis Pin
7	90601	2	1/4 x 1-1/2 Cotter Pin
8	B61105	2	9/64 x 2-11/16 Hairpin Cotter
SS = Stainless Steel			

Pivot Beam, Light Tower and A-Frame Components



* Included in Undercarriage Kit only when necessary (determined by vehicle type and model).

** For mounting plate with holes.

‡ For mounting plate with keyhole slots. No washers.

Pivot Beam, Light Tower and A-Frame Components							
Item	Part	Qty	Description	Item	Part	Qty	Description
1	91337	4	5/8-11 Hex Locknut GB	21	69689	1	Label – SECURITY GUARD™
2	41138	1	Pivot Beam	28	91333	9	3/8-16 Hex Locknut GB
3	23039	4	Trip Spring	29	41117	1	Draw Latch Assembly
4	50655	4	Eyebolt Kit	37	41124-1	1	Light Tower, Upper
5	41147	2	Pivot Bushing Kit	38	41125-1	1	Light Tower, Lower
6	90490	4	5/8-11 x 4 Eyebolt G2	39	91338	5	3/4-10 Hex Locknut GB
7	B16536	2	Bushing – Plow Pivot SW	40	41129-1	2	Hitch Pin Kit
8	B61616	4	Retaining Ring HD	42	90201	8	3/16-16 x 1 Carriage Bolt G5
9†	41236	1	A-Frame	44	41237	1	Mount Adapter Assembly
10	41146	1	Pivot Bolt Kit	52*	63212	2	Spacer
11	66949	1	1-8 x 9 Hex Cap Screw G5 Special	53*	40514	2	Height Adjustment Plate – Tall
12	91340	1	1-8 Hex Locknut GB	54*	40515	2	Height Adjustment Plate – Short
13	41122	4	Pin Kit	56	40517-1	2	Receiver Hardware Kit
14	6816	4	1 x 4 Clevis Pin G5	57	48478	1	Cover Assembly
15	91911	7	5/32 x 1-1/2 Cotter Pin	60	48207	1	Label, POWER HITCH™ Switch ID
16	40547	3	Ram Pin Kit	61	90039	3	3/8-16 x 1 Hex Cap Screw G5
17	40458	3	1 x 6-1/2 Clevis Pin	62	91203	3	3/8 Split Lock Washer
18	41096	2	Ram Assembly 1-3/4 x 11-3/8	63	98043	3	3/8-16 x 1 Button Flange Cap Screw
19	40548	1	Module Mounting Plate Kit				
Item 29				41117 Draw Latch Assembly			
15	91911	4	5/32 x 1-1/2 Cotter Pin	34	41104	1	Draw Latch Hook
17	40458	3	1 x 6-1/2 Clevis Pin	35	41105	1	Draw Latch
20	40660	2	Spring	36	48986	1	3/4 x 5-3/8 Clevis Pin HT
30	41095	1	3-1/2 x 5-1/2 Ram Assembly	41	91192	3	Flat Washer Special
33	91147	1	3/4 Flat Washer Narrow				
Item 44				41237 Mount Adapter Assembly			
33	91147	2	3/4 Flat Washer Narrow	48	66449	4	3/4-10 x 2-3/4 Hex Cap Screw G5
39	91338	4	3/4-10 Hex Locknut GB	51	42142	2	1/8 x 1-9/16 R-Pin Cotter
45		1	Mount Adapter	74	43133	2	3/4 Narrow Washer
46	40496	2	3/4 x 4-3/8 Clevis Pin				
Item 57				48478 Cover Assembly			
		1	Cover	59	48421	1	Label – Information, BD SW
58	B61628	2	3/8-16 Clamping Knob				
Item 72				48731 Stand Assembly – DS			
23	27461	1	Compression Spring	65	67636	1	Stand Lock Spring
24	48733	1	Handle – DS	66	48715	1	Stand Return Spring
25	48730	1	Stand – DS	67	67700	1	3/16 x 1-1/4 Roll Pin
27	48728	1	Stand Shoe	68	90461	1	1/4-20 x 3/4 Hex Cap Screw G5
31	40662	1	Stand Pin	70	41101	1	1/4-20 x 2-1/4 Hex Cap Screw G8
64	69685	1	Stand Plunger Cap	71	91331	2	1/4-20 Hex Locknut GB
G = Grade				HT = Heat Treated			

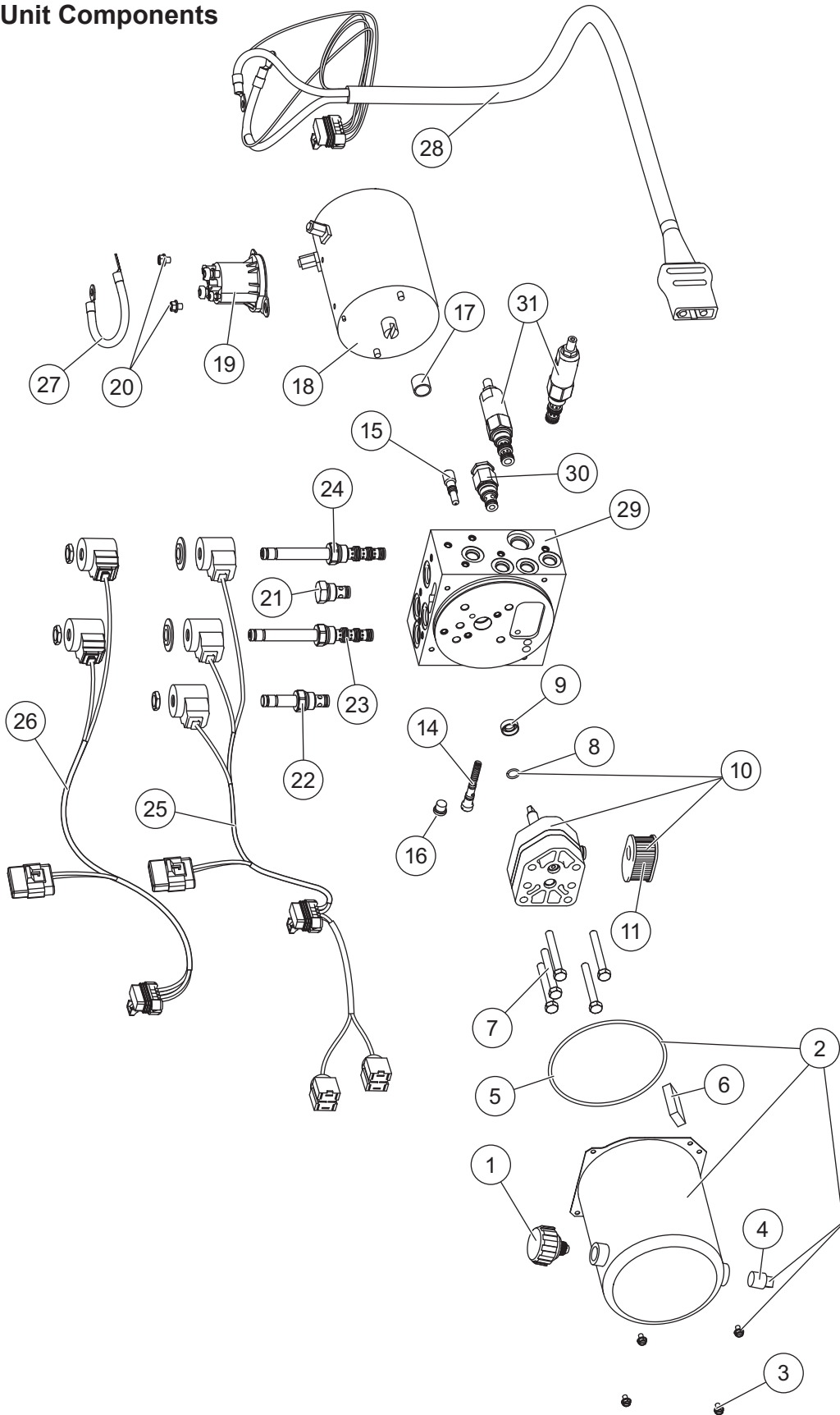
* The height adjustment plates are not included in the Crate Assembly Box, and are not required for all applications. When required, the correct plates are packaged and sold with the Undercarriage Kits.

‡ Earlier A-frames (without hole) must also replace Item 44 – Mount Adapter Assembly.

Pivot Beam, Light Tower and A-Frame Components							
Item	Part	Qty	Description	Item	Part	Qty	Description
Item 73				48732 Stand Assembly – PS			
23	27461	1	Compression Spring	65	67636	1	Stand Lock Spring
26	48729	1	Stand – PS	66	48715	1	Stand Return Spring
27	48728	1	Stand Shoe	67	67700	1	3/16 x 1-1/4 Roll Pin
31	40662	1	Stand Pin	68	90461	1	1/4-20 x 3/4 Hex Cap Screw G5
32	48734	1	Handle – PS	70	41101	1	1 /4-20 x 2-1/4 Hex Cap Screw G8
64	69685	1	Stand Plunger Cap	71	91331	2	1/4-20 Hex Locknut GB
Item 75				48556 Transport Pin Kit			
76	63354	1	3/4 x 6 Clevis Pin	77	91962	1	1/8 Hairpin Cotter
33	91147	1	3/4 Flat Washer Narrow				
G = Grade				HT = Heat Treated			

This page intentionally left blank.

Hydraulic Unit Components

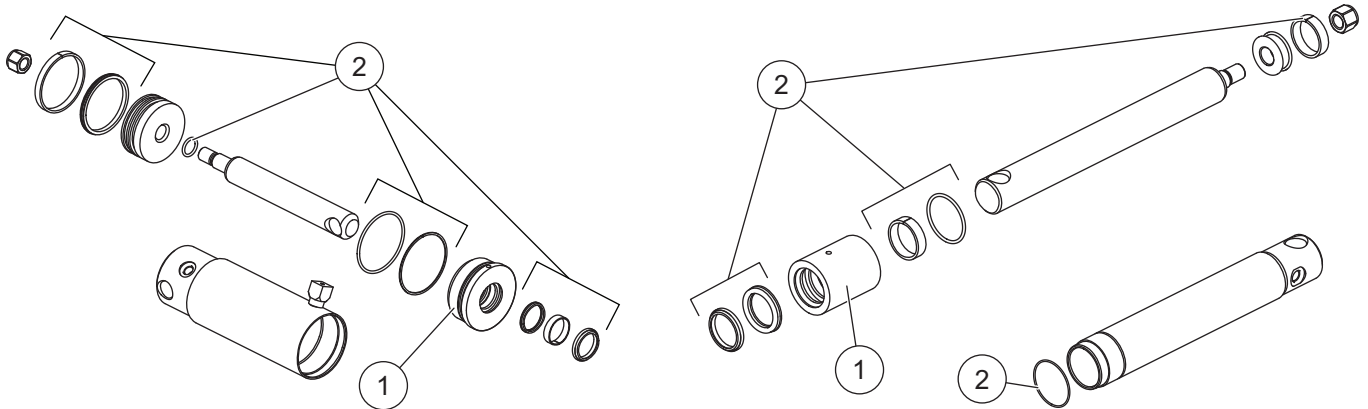


41140 Hydraulic Unit						
Item	Part	Qty	Description	Item	Part	Description
1	48278	1	Breather	19	42903	1 Motor Relay Kit, FLEET FLEX
2	48279	1	Reservoir Kit	20	29099	2 1/4-20 x 1/4 Hex Washer-Head Thread-Rolling Screw
3	66607	4	10-24 x 5/16 Machine Screw	21	48287	1 Check Valve
4	92079	1	3/8 Plug NPTF Square	22	48288	1 Valve, 2-Way NC w/Rev Flow
5	66519	1	O-Ring 2-250	23	48289	1 Valve, 4-Way, 3-Position
6	73897	1	Magnet	24	48291	1 Valve, 4-Way, 3-Position Closed Center
7	90080	5	5/16-18 x 2-1/2 Hex Cap Screw G5	25	29849	1 Plow Control Harness, 3-Coil
8	56274	1	O-Ring – 013	26	29851	1 Plow Control Harness, 2-Coil
9	66515	1	Pump Shaft Seal	27	29071	1 Vehicle Battery Cable 8"
ns	48302	1	Seal Repair Tool Kit w/Seal	28	48295	1 Snowplow Battery Cable
10	49487	1	Hydraulic Pump Kit	29	41139	1 Manifold Assembly w/o Valves
11	48281	1	Filter	30	41091	1 Relief Valve Kit
14	48283	1	Relief Valve (1 set)	31	B60430	2 Counterbalance Valve Kit
15	48241	1	Stem Assembly Needle Valve	ns		3 Fuse, 5-Amp Mini Automotive Blade-Style (for Items 25 and 26)
16	44344	1	7/16-20 Socket O-Ring Boss Plug			
17*	56364	1	Bearing Sleeve			
ns	48284	1	Bearing Repair Tool Kit w/Bearing			
18	48285	1	Motor			
O-Ring Service Kits						
–	48301	–	O-Ring Kit	–	48310	– Seal Kit, 2-Way Valves
–	48309	–	Seal Kit , 3-Way & 4-Way Valves			
Item 29	41139 Manifold Assembly w/o Valves					
3	66607	4	10-24 x 5/16 Machine Screw	14	48283	1 Relief Valve (1 set)
5	66519	1	O-Ring 2-250	15	48241	1 Stem Assembly Needle Valve
8	56274	1	O-Ring 013	16	44344	1 7/16-20 Socket O-Ring Boss Plug
9	66515	1	Pump Shaft Seal	17*	56364	1 Bearing Sleeve
			ns = not shown	G = Grade		

* Use 48284 tool to install.

Go to www.blizzardplows.com for hydraulic unit service information and specifications.

Lift and Angle Ram Components

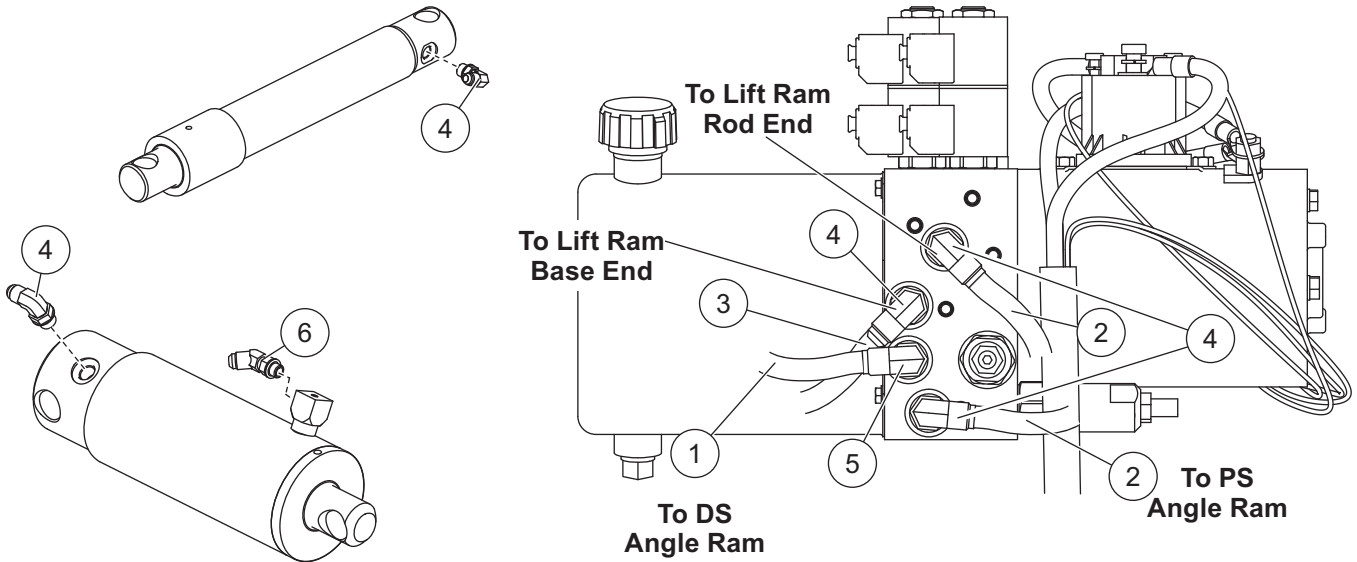


41095 Lift Ram Assembly 3-1/2 x 5-1/2			
Item	Part	Qty	Description
1	48358	1	1-1/2 Gland
2	41098	1	Seal Kit 3-1/2" DA Ram

41096 Angle Ram Assembly 1-3/4 x 11			
Item	Part	Qty	Description
1	50403	1	1-3/4 Gland
2	41097	1	1-3/4 Seal Kit

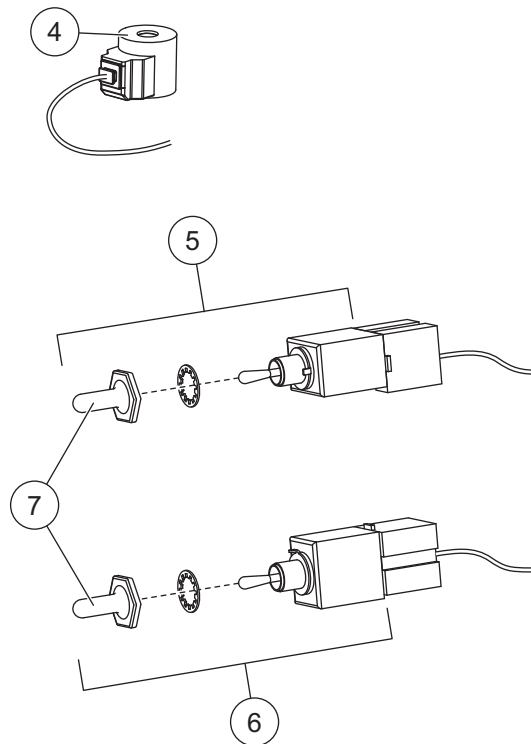
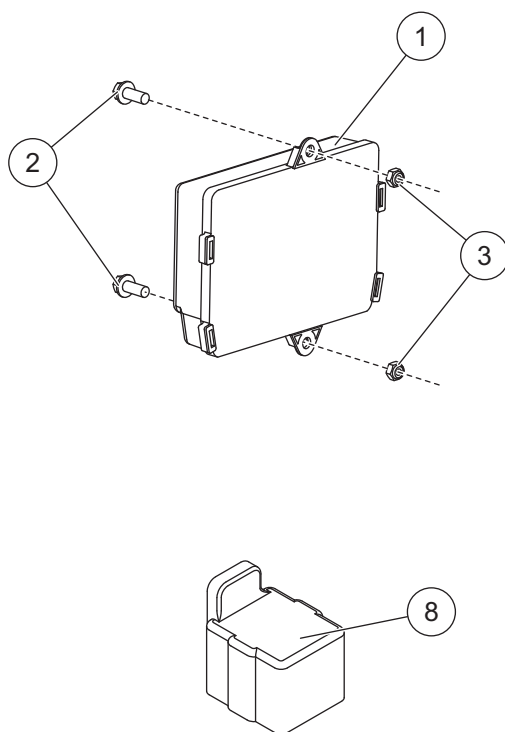
Go to www.blizzardplows.com for hydraulic unit service information and specifications.

Hoses and Fittings



Hoses and Fittings							
Item	Part	Qty	Description	Item	Part	Qty	Description
1	41094	1	1/4 x 18 Hose w/FJIC Ends	5	40572	1	Elbow 90° Extra Long - 6M O-Ring/MJIC
2	40570	2	1/4 x 22 Hose w/FJIC Ends	6	41093	1	Elbow 45° 9/16-18 x 7/16-20 ORB
3	40569	1	1/4 x 16 Hose w/FJIC Ends				
4	40571	6	Elbow 90° - 6M O-Ring/MJIC				
F = Female				M = Male or Metric			

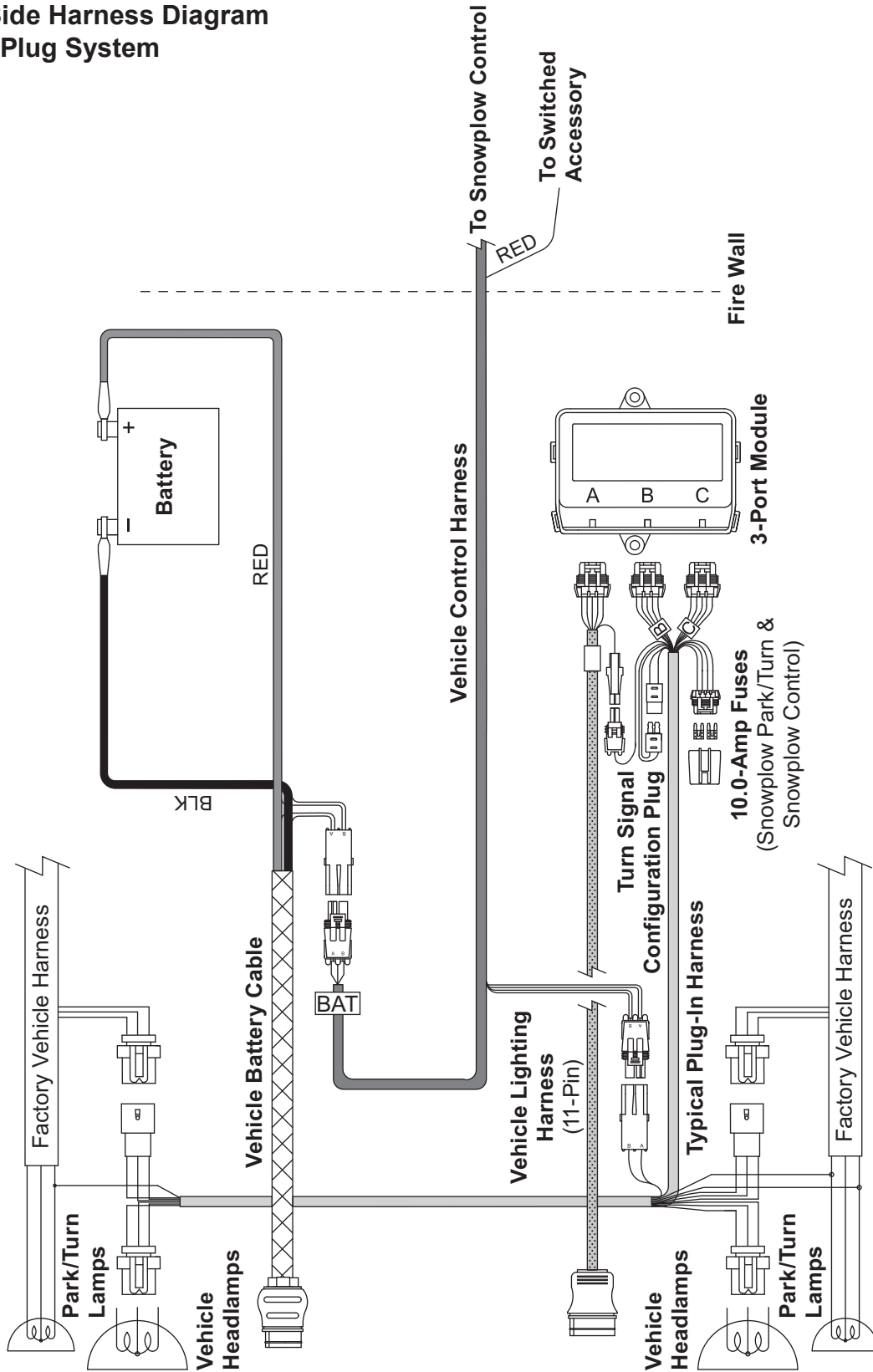
Electrical Components



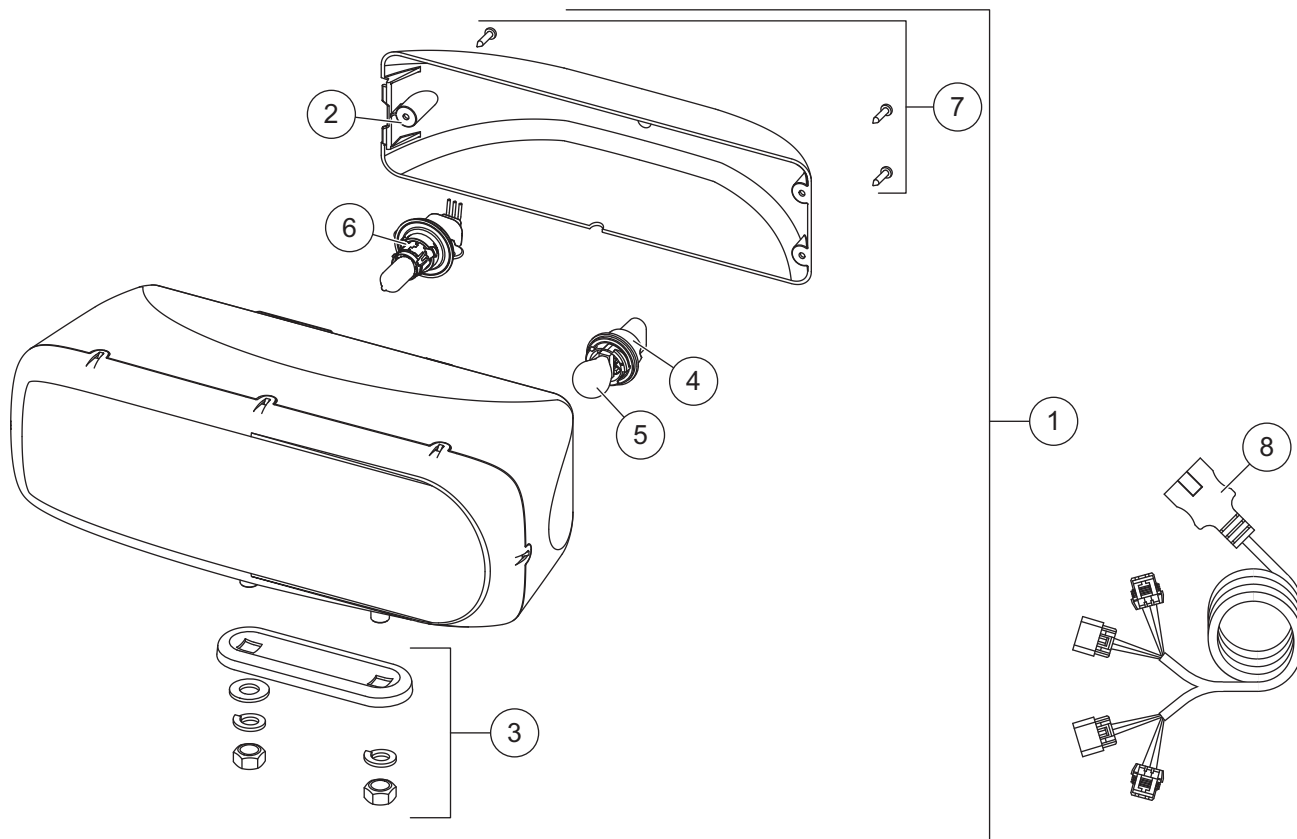
Plow-Side Electrical Components							
Item	Part	Qty	Description	Item	Part	Qty	Description
1	44354-3	1	Plow Module	6	40576	1	Toggle Switch, (MOM-ON, OFF, MOM-ON)
2	44355	2	1/4-20 x 5/8 Hex Washer-Head Thread-Rolling Screw	7	48259	2	Switch Boot
3	91331	2	1/4-20 Hex Locknut GB	8	61246	1	Cable Boot
4	48294	5	Coil w/Wire Leads				
5	40575	1	Toggle Switch (MOM-ON, OFF, ON)				
Vehicle-Side Electrical Components							
*	42014	1	Vehicle Battery Cable	ns	48325	2	Plug Cover
*	28587	1	Vehicle Control Harness				
ns = not shown				G = Grade			

* For diagram see Vehicle-Side Harness Diagram

Vehicle-Side Harness Diagram
3-Port, 2-Plug System



Headlamp Kit



28800-1 Headlamp Kit (Pair)							
Item	Part	Qty	Description	Item	Part	Qty	Description
1	28801-1	1	Headlamp Service Kit, DS	5		2	Park/Turn Bulb (trade no. 4157NAK)
ns	28802-1	1	Headlamp Service Kit, PS	6	28806	2	H13 Headlamp Bulb Service Kit
2	28803-1	2	Rear Cover Kit (fits 2- or 3-screw)	7	28808-1	2	Cover Screws Service Kit (pkg of 3)
3	28804	2	Mounting Hardware Kit	8	28213K	1	Harness Service Kit
4	28805	2	Park/Turn Socket Service Kit				

ns = not shown



Blizzard
PO Box 245038
Milwaukee, WI 53224-9538
www.blizzardplows.com

 A DIVISION OF DOUGLAS DYNAMICS, L.L.C.

Copyright © 2012 Douglas Dynamics, L.L.C. All rights reserved. This material may not be reproduced or copied, in whole or in part, in any printed, mechanical, electronic, film or other distribution and storage media, without the written consent of Blizzard. Authorization to photocopy items for internal or personal use by Blizzard outlets or snowplow owner is granted.

Blizzard reserves the right under its product improvement policy to change construction or design details and furnish equipment when so altered without reference to illustrations or specifications used. Blizzard or the vehicle manufacturer may require or recommend optional equipment for snow removal. Do not exceed vehicle ratings with a snowplow. Blizzard offers a limited warranty for all snowplows and accessories. See separately printed page for this important information. The following are registered (®) or unregistered (™) trademarks of Douglas Dynamics, L.L.C.: BLIZZARD®, POWER HITCH™, POWER HITCH™ 2, SECURITY GUARD™, SPEEDWING™.

Printed in U.S.A.