

BLIZZARD[®] **SNOWPLOWS**

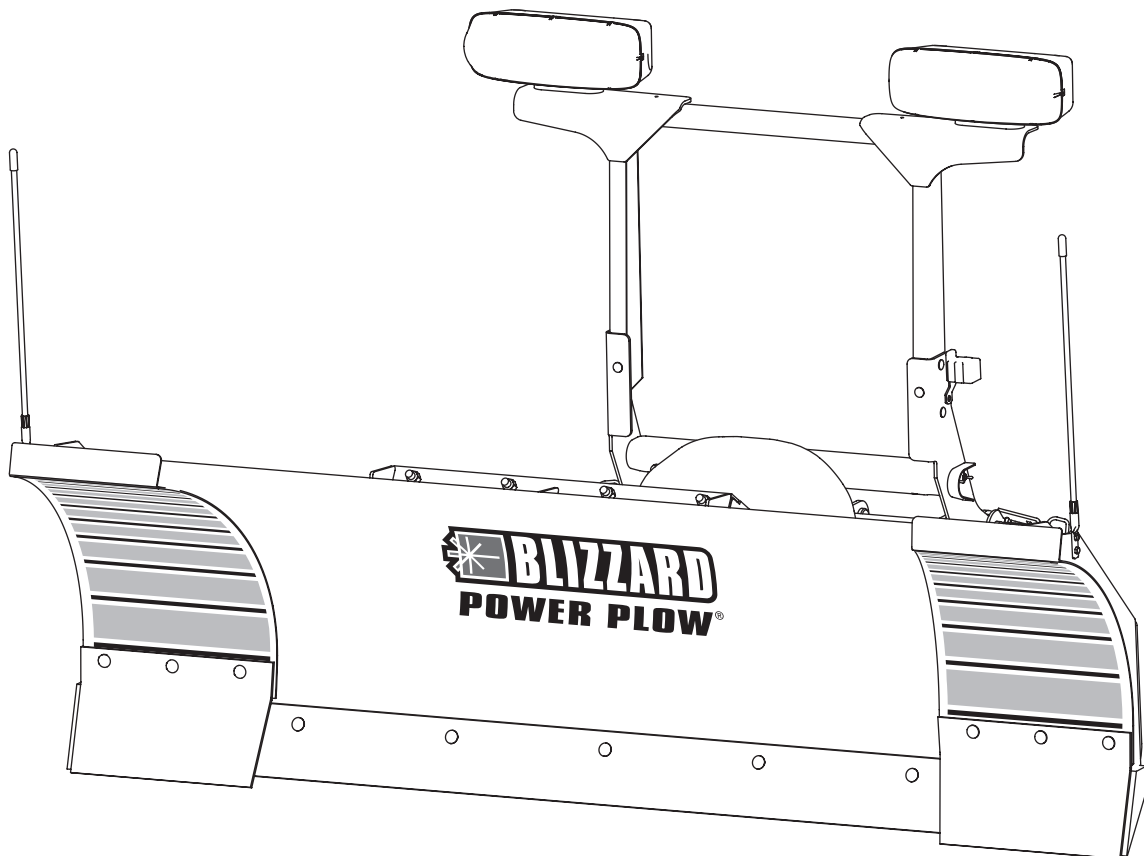
POWER PLOW[™] Snowplows

Model 8100PP & 86110LP

Blade Crate Assembly 57530 & 57540

Big Box Assembly 57535

Parts List



BLADE COMPONENTS 4

OFF-TRUCK COMPONENTS 8

 Pivot Beam, Light Tower and A-Frame 8

 Hydraulic Unit..... 12

 Hoses and Fittings 14

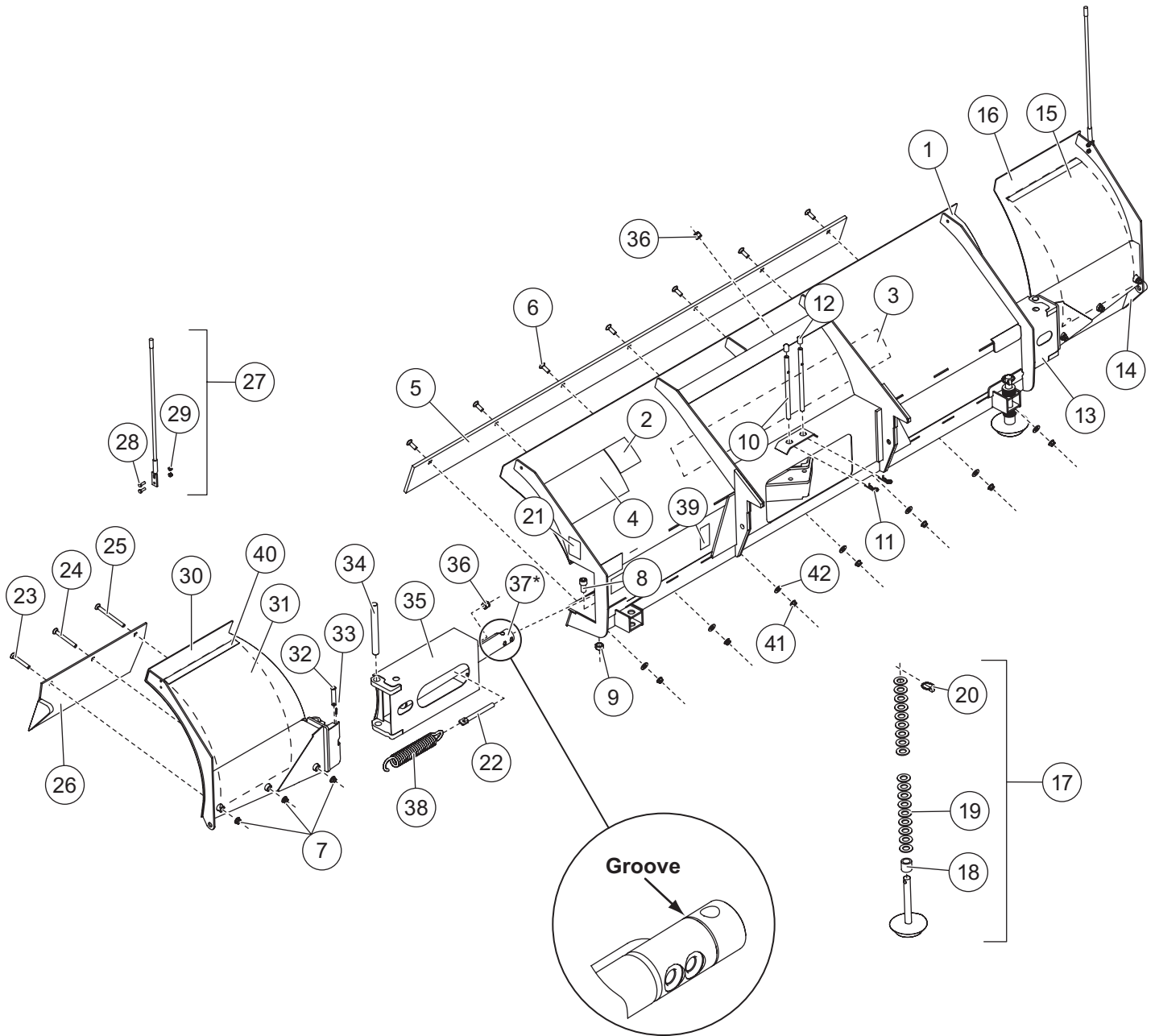
 Lift and Angle Rams 15

 Electrical Components..... 16

 Vehicle-Side Wiring Diagram – 3-Port, 2-Plug Systems 17

 Headlamp Kit 18

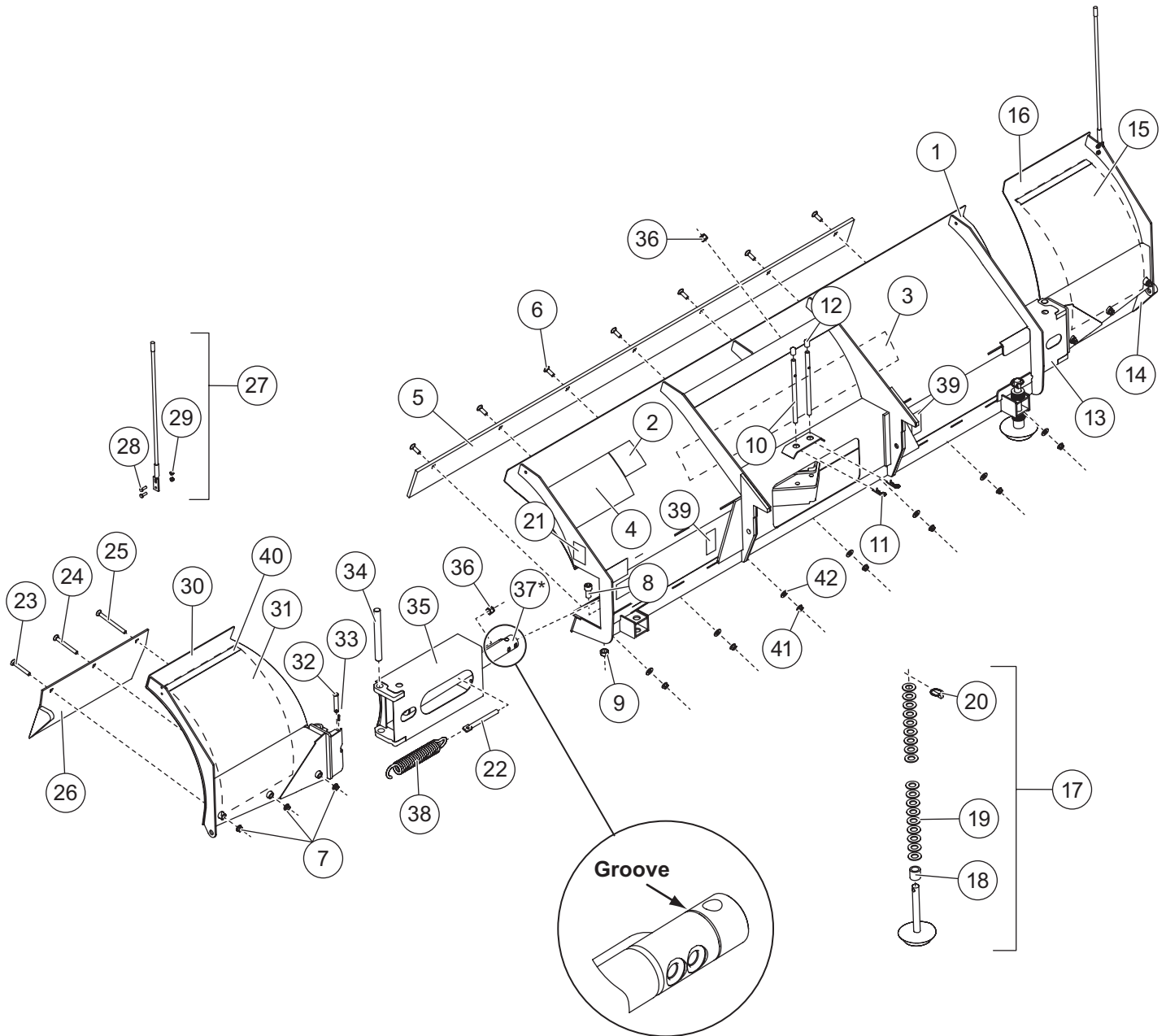
Blade Components



* Current ram has a groove around the base near the pin hole. Early ram does not have a groove.

Blade Components			
Item	Part	Qty	Description
1	41174	1	Moldboard
2	59900	1	Label – Warning/Caution, Snowplows
3	B63160	1	Label – POWER PLOW™ Center
4	49443	1	Label – POWER HITCH™ 2 Attach/Detach
5	B11962	1	1/2" Moldboard Cutting Edge (1080)
6	90238	7	1/2-13 x 1-3/4 Carriage Bolt G8
7	B61365	6	1/2-13 Flanged Locknut
8	B61618	2	3/4-10 x 1-1/2 Screw
9	B61593	2	3/4-10 Hex Locknut G8
10	B11989	2	Slide Box Extend/Retract Pin
11	B61030	2	1/8 x 2-5/8 Hair Cotter Pin
12	B61198	2	5/8 ID, 3/4 OD x 1 Black Vinyl Cap
13	B55066	1	Slide Box – PS
14	B55007	1	Wing Cutting Edge – PS (T1)
15	96332	1	Wing Label – PS
16	B55068	1	Wing – PS
17	49071	2	HD Disc Shoe Assembly
18	60045	2	1-1/8 ID, 1-5/8 OD x 1-1/2 Spacer
19	91192	52	Flat Washer, Special
20	93010	2	7/16 x 1-3/4 Linchpin
21	29593	4	Label – Multiple Pinch Points
22	B61201	2	5/8-11 x 4-3/8 Spade Bolt
23	B61418	2	1/2-13 x 3-1/2 Carriage Bolt G8
24	B61419	2	1/2-13 x 4-1/2 Carriage Bolt G8
25	B61622	2	1/2-13 x 5-3/4 Carriage Bolt G8
26	B55006	1	Wing Cutting Edge – DS (T1)
27	B61049	1	Plow Guide Assembly (set of 2)
28	68494	4	5/16-18 x 1 Hex Cap Screw G5
29	91332	4	5/16-18 Hex Locknut GB
30	B55067	1	Wing – DS
31	96331	1	Wing Label – DS
32	B61385	2	5/8 x 3 Clevis Pin
33	90601	2	1/4 x 1-1/2 Cotter Pin
34	B55042	2	Wing Pivot Pin
35	B55065	1	Slide Box – DS
36	91337	4	5/8-11 Hex Locknut GB
37*	B60207	2	Slide Box Extend/Retract Hydraulic Cylinder (Early ram – see callout on diagram.)
	43802	2	Ram Assembly 1-3/4 x 18-7/16 DA (Current ram – see callout on diagram.)
ns	B60365	2	Combo Seal Kit, Cylinder B60207
ns	43793	2	Seal Kit, Ram Assembly 43802
38	B61167	2	3/8 x 2-5/8 x 12-1/2 Extension Spring
39	29256	1	Label – Foot Crush Hazard
40	50639	2	Wear Strip – Wing Top
41	91335	7	1/2-13 Hex Locknut Topring GB
42	90572	7	1/2 Hardened Flat Washer
ns‡	B52092	1	Snowplow Airfoil
ns‡	B52087	1	Rubber Snow Deflector w/Hardware
ns = not shown		G = Grade	
		‡ = Accessory Only	

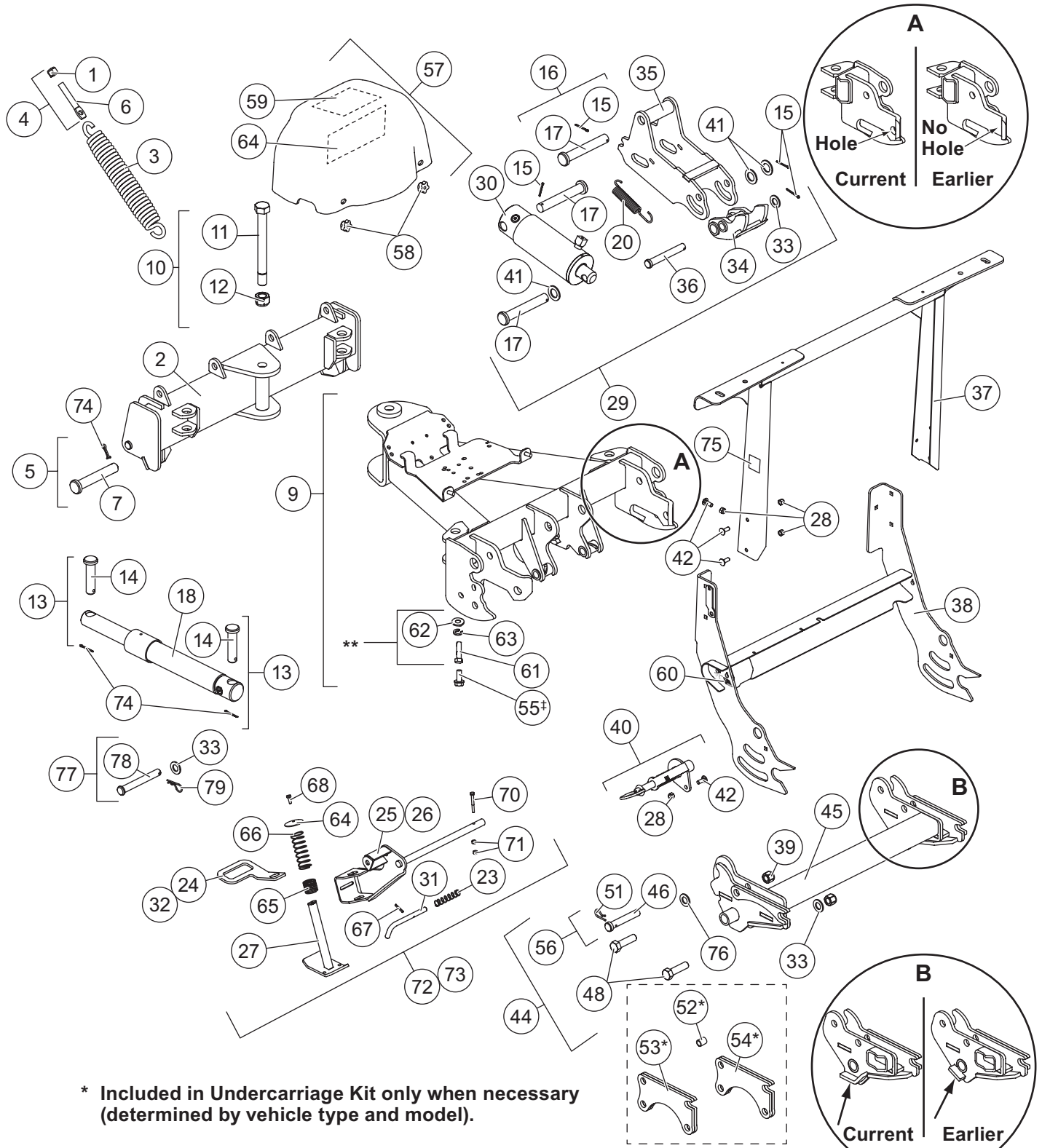
Blade Components



* Current ram has a groove around the base near the pin hole. Early ram does not have a groove.

Blade Components			
Item	Part	Qty	Description
1	41173	1	Moldboard
ns	41171	1	Service Moldboard Assembly (incl. items 1–39)
2	59900	1	Label – Warning/Caution, Snowplows
3	B63160	1	Label – POWER PLOW™ Center
4	49443	1	Label – POWER HITCH™ 2 Attach/Detach
5	B61292	1	1/2" Moldboard Cutting Edge
6	90238	7	1/2-13 x 1-3/4 Carriage Bolt G8
7	B61365	6	1/2-13 Flanged Locknut
8	B61618	2	3/4-10 x 1-1/2 Screw
9	B61593	2	3/4-10 Hex Locknut G8
10	B11989	2	Slide Box Extend/Retract Pin
11	B61030	2	1/8 x 2-5/8 Hair Cotter Pin
12	B61198	2	5/8 ID x 3/4 OD x 1 Black Vinyl Cap
13	B55066	1	Slide Box – PS
14	B51047	1	Wing Cutting Edge – PS
15	96326	1	Wing Label – PS
16	40740	1	Wing – PS
17	49071	2	HD Disc Shoe Assembly
18	60045	2	1-1/8 ID, 1-5/8 OD x 1-1/2 Spacer
19	91192	44	Flat Washer Special
20	93010	2	7/16 x 1-3/4 Linchpin
21	29593	4	Label – Multiple Pinch Points
22	B61201	2	5/8-11 x 4-3/8 Spade Bolt
23	B61418	2	1/2-13 x 3-1/2 Carriage Bolt G8
24	B61419	2	1/2-13 x 4-1/2 Carriage Bolt G8
25	B61622	2	1/2-13 x 5-3/4 Carriage Bolt G8
26	B51048	1	Wing Cutting Edge – DS
27	B61049	1	Plow Guide Assembly (set of 2)
28	68494	4	5/16-18 x 1 Hex Cap Screw G5
29	91332	4	5/16-18 Hex Locknut GB
30	40739	1	Wing – DS
31	96325	1	Wing Label – DS
32	B61385	2	5/8 x 3 Clevis Pin
33	90601	2	1/4 x 1-1/2 Cotter Pin
34	B55042	2	Wing Pivot Pin
35	B55065	1	Slide Box – DS
36	91337	6	5/8-11 Hex Locknut GB
37	B60347	2	Slide Box Extend/Retract Hydraulic Cylinder (early ram – see callout on diagram)
	43803	2	Ram Assembly 1-1/2 x 13-15/16 DA (current ram – see callout on diagram)
ns	B60373	2	Combo Seal Kit, Cylinder B60347
ns	43794	2	Seal Kit, Ram Assembly 43803
38	B61167	2	3/8 x 2-5/8 x 12-1/2 Extension Spring
39	29256	2	Label – Foot Crush Hazard
40	50639	2	Wear Strip – Wing Top
41	91335	7	1/2-13 Hex Locknut Topring GB
42	90572	7	1/2 Hardened Flat Washer
ns‡	B52093	1	Snowplow Airfoil
ns‡	B61241	1	Rubber Snow Deflector w/Hardware
ns = not shown		G = Grade	
		‡ = Accessory Only	

Pivot Beam, Light Tower and A-Frame Components



* Included in Undercarriage Kit only when necessary (determined by vehicle type and model).

** For mounting plate with holes.

† For mounting plate with keyhole slots. No washers.

Pivot Beam, Light Tower and A-Frame Components									
Item	Part	Qty		Description	Item	Part	Qty		Description
		8100 PP	86110 LP				8100 PP	86110 LP	
1	91337	4	6	5/8-11 Hex Locknut GB	37	41124-1	1	1	Light Tower, Upper
2	41118	1	–	Pivot Beam	38	41125-1	1	1	Light Tower, Lower
	41127	–	1	Pivot Beam	39	91338	4	4	3/4-10 Hex Locknut GB
3	23039	4	6	Trip Spring	40	41129-1	2	2	Hitch Pin Kit
4	41132	4	6	Eyebolt Kit	42	90201	8	8	3/8-16 x 1 Carriage Bolt G5
5	41123	2	2	Pivot Pin w/Cotter	44	41237-1	1	1	Mount Adapter Assembly
6	B61416	4	6	5/8-11 x 7-3/8 Eyebolt G2	52*	63212	2	2	Spacer
7	B50069	2	2	3/4 x 3 Clevis Pin	53*	40514	2	2	Height Adjustment Plate – Tall
9‡	41235	1	1	A-Frame	54*	40515	2	2	Height Adjustment Plate – Short
10	41119	1	1	Pivot Bolt Kit	55	48659	4	4	5/16-24 x 3/4 Hex Flange Bolt G5
11	50605	1	1	1-8 x 9-1/2 Hex Cap Screw G5 SPL	56	40517-1	2	2	Receiver Hardware Kit
12	91340	1	1	1-8 Hex Locknut GB	57	41128	1	1	Cover Assembly
13	41122	4	4	Pin Kit	60	48207	1	1	Label, POWER HITCH™ Switch ID
14	6816	4	4	1 x 4 Clevis Pin G5	61	66437	4	4	5/16-24 x 1 Hex Cap Screw G5
15	91911	4	4	5/32 x 1-1/2 Cotter Pin	62	90313	4	4	5/16 Flat Washer
16	40547	3	3	Ram Pin Kit	63	91202	4	4	5/16 Lock Washer
17	40458	3	3	1 x 6-1/2 Clevis Pin	74	90601	6	6	1/4 x 1-1/2 Cotter Pin
18	41096	2	2	1-3/4 x 11-3/8 Ram Assembly	75	69689	1	1	Label, SECURITY GUARD™
28	91333	8	8	3/8-16 Hex Locknut GB	77	48556	1	1	Transport Pin Kit
29	41117	1	1	Draw Latch Assembly					
Item 29 41117 Draw Latch Assembly									
15	91911	4	4	5/32 x 1-1/2 Cotter Pin	34	41104	1	1	Draw Latch Hook
17	40458	3	3	1 x 6-1/2 Clevis Pin	35	41105	1	1	Draw Latch
20	40660	2	2	Spring	36	48986	1	1	3/4 x 5-3/8 Clevis Pin HT
30	41095	1	1	3-1/2 x 5-1/2 Ram Assembly	41	91192	3	3	Flat Washer Special
33	91147	1	1	3/4 Flat Washer Narrow					
Item 44 41237-1 Mount Adapter Assembly									
33	91147	2	2	3/4 Flat Washer Narrow	48	66449	4	4	3/4-10 x 2-3/4 Hex Cap Screw G5
39	91338	4	4	3/4-10 Hex Locknut GB	51	42142	2	2	1/8 x 1-9/16 R-Pin Cotter
45		1	1	Mount Adapter	76	43133	2	2	3/4 Washer Narrow
46	40496	2	2	3/4 x 4-3/8 Clevis Pin					
Item 57 41128 Cover Assembly									
		1	1	Cover	59	48420	1	1	Label – Information, Electric
58	B61628	2	2	3/8-16 Clamping Knob	64	48470	1	1	Label – Information, Hydraulic
Item 72 48731 Stand Assembly – DS									
23	27461	1	1	Compression Spring	65	67636	1	1	Stand Lock Spring
24	48733	1	1	Handle – DS	66	48715	1	1	Stand Return Spring
25	48730	1	1	Stand – DS	67	67700	1	1	3/16 x 1-1/4 Roll Pin
27	48728	1	1	Stand Shoe	68	90461	1	1	1/4-20 x 3/4 Hex Cap Screw G5
31	40662	1	1	Stand Pin	70	41101	1	1	1/4-20 x 2-1/4 Hex Cap Screw G8
64	69685	1	1	Stand Plunger Cap	71	91331	2	2	1/4-20 Hex Locknut GB
G = Grade					HT = Heat Treated				

* The height adjustment plates are not included in the Crate Assembly Box, and are not required for all applications. When required, the correct plates are packaged and sold with the Undercarriage Kits.

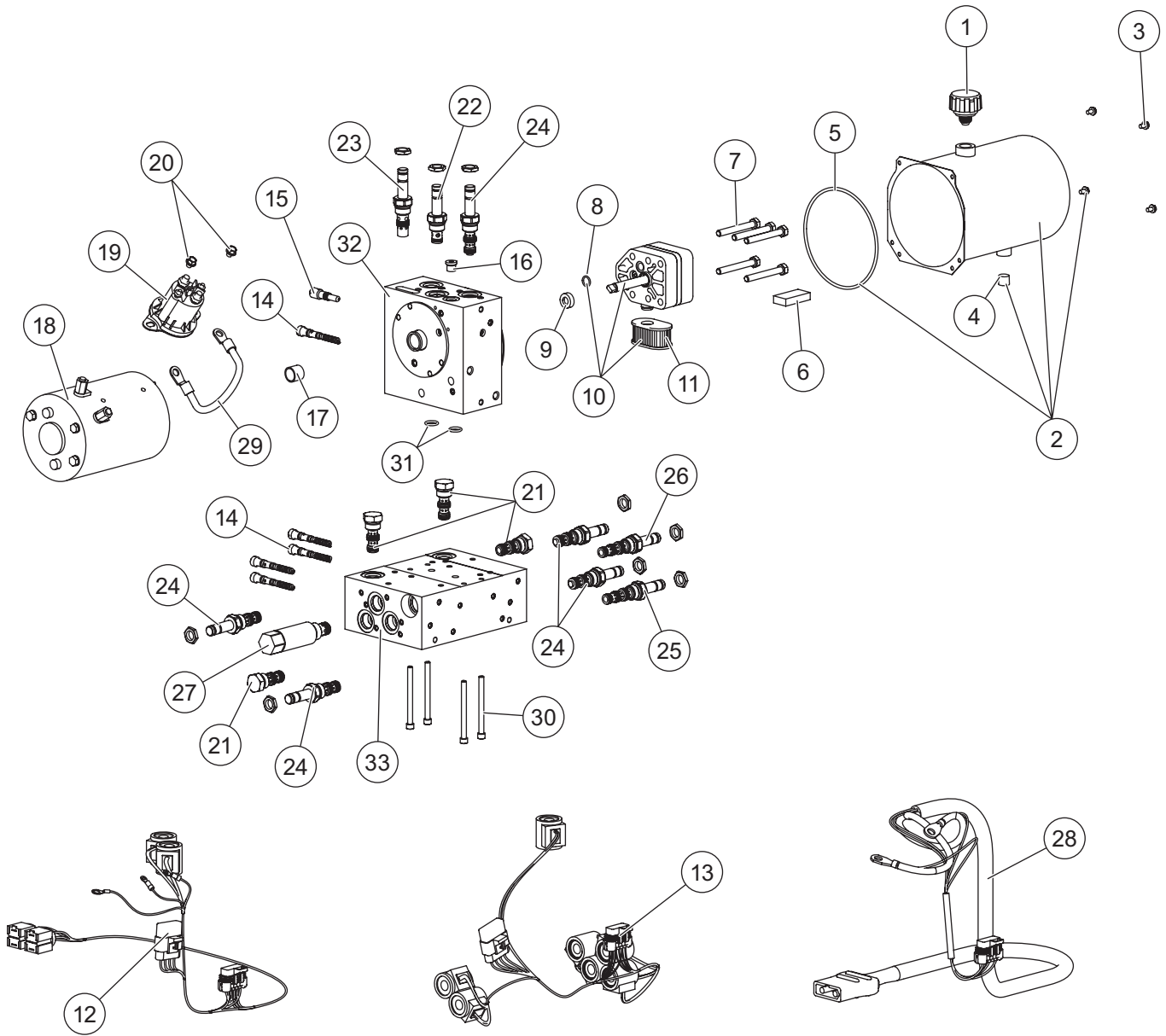
‡ Earlier A-frames (without hole) must also replace Item 44, Mount Adapter Assembly.

8100PP, 86110LP

Pivot Beam, Light Tower and A-Frame Components									
Item	Part	Qty		Description	Item	Part	Qty		Description
		8100 PP	86110 LP				8100 PP	86110 LP	
Item 73				48732 Stand Assembly – PS					
23	27461	1	1	Compression Spring	65	67636	1	1	Stand Lock Spring
26	48729	1	1	Stand – PS	66	48715	1	1	Stand Return Spring
27	48728	1	1	Stand Shoe	67	67700	1	1	3/16 x 1-1/4 Roll Pin
31	40662	1	1	Stand Pin	68	90461	1	1	1/4-20 x 3/4 Hex Cap Screw G5
32	48734	1	1	Handle - PS	70	41101	1	1	1/4-20 x 2-1/4 Hex Cap Screw G8
64	69685	1	1	Stand Plunger Cap	71	91331	2	2	1/4-20 Hex Locknut GB
Item 77				48556 Transport Pin Kit					
78	63354	1	1	3/4 x 6 Clevis Pin	79	91962	1	1	1/8 Hairpin Cotter
33	91147	1	1	3/4 Flat Washer Narrow					
				G = Grade		HT = Heat Treated			

This page intentionally left blank.

Hydraulic Unit Components

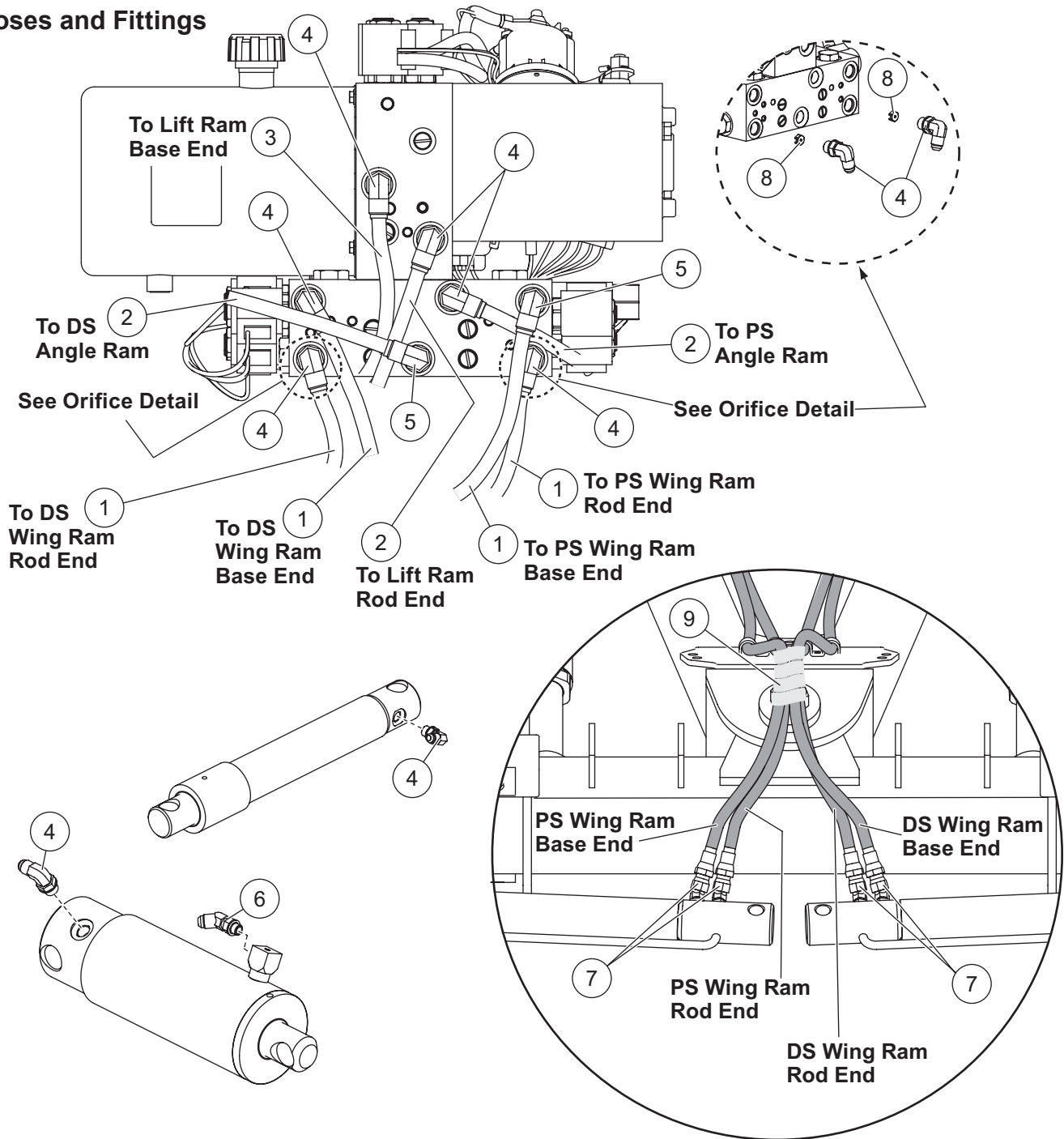


49485 Hydraulic Unit						
Item	Part	Qty	Description	Item	Part	Qty Description
1	48278	1	Breather	20	29099	2 1/4-20 x 1/4 Hex Washer-Head Thread-Rolling Screw
2	49486	1	Reservoir Kit	21	49488	4 Valve, 3-Way, PO Check
3	66607	4	10-24 x 5-16 Machine Screw	22	48288	1 Valve, 2-Way, NC w/Rev Flow
4	92095	1	1/4 Plug NPTF Hex Socket	23	49489	1 Valve, 2-Way w/Check
5	66519	1	O-Ring – 2-250	24	49492	5 Valve, 3-Way, 2-Position
6	73897	1	Magnet	25	49490	1 Valve, 4-Way, 2-Position SV08-45
7	90080	5	5/16-18 x 2-1/2 Hex Cap Screw G5	26	49491	1 Valve, 4-Way, 2-Position SV08-41
8	56274	1	O-Ring – 013	27	B60168	1 Relief Valve 3000 psi
9	66515	1	Pump Shaft Seal	28	48295	1 Snowplow Battery Cable
ns	48302	1	Seal Repair Tool Kit w/Seal	29	29071	1 Cable Assembly 8"
10	49487	1	Hydraulic Pump Kit	30	29081	4 1/4-20 x 3 Socket Cap Screw
11	48281	1	Filter	31	55587	2 O-Ring – 112
12	29483	1	Plow Control Harness, 2-Coil	32	49494	1 Manifold Assembly, Primary, w/o Valves
13	29493	1	Plow Control Harness, 7-Coil	33	49495	1 Manifold Assembly, Secondary, w/o Valves
14	48283	5	Relief Valve (1 set)	ns		2 Fuse, 5-amp Mini Automotive Blade-Style (for item 12)
15	48241	1	Stem Assembly Needle Valve	ns		2 Fuse, 4-amp Mini Automotive Blade-Style (for item 13)
16	44344	1	7/16-20 Socket O-Ring Boss Plug			
17*	56364	1	Bearing Sleeve			
ns	48284	1	Bearing Repair Tool Kit w/Bearing			
18	48285	1	Motor			
19	42903	1	Motor Relay Kit, FLEET FLEX			
O-Ring Service Kits						
–	48301	–	O-Ring Kit	–	48310	– Seal Kit, 2-Way Valves
–	48309	–	Seal Kit, 3-Way & 4-Way Valves	–	49464	– Crossover Relief Seal Kit
Item 32	49494 Manifold Assembly, Primary, w/o Valves					
		1	Manifold	15	48241	1 Stem Assembly Needle Valve
5	66519	1	O-Ring – 2-250	16	44344	1 7/16-20 Socket O-Ring Boss Plug
8	56274	1	O-Ring – 013	17	56364	1 Bearing Sleeve
9	66515	1	Pump Shaft Seal	31	55587	2 O-Ring – 112
14	48283	1	Relief Valve (1 set)			
Item 33	49495 Manifold Assembly, Secondary, w/o Valves					
		1	Manifold	31	55587	2 O-Ring – 112
14	48283	4	Relief Valve (1 set)			
			ns = not shown	G = Grade		

*Use 48284 tool to install.

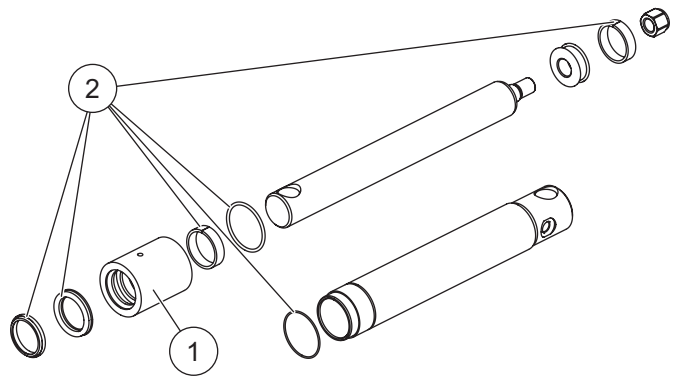
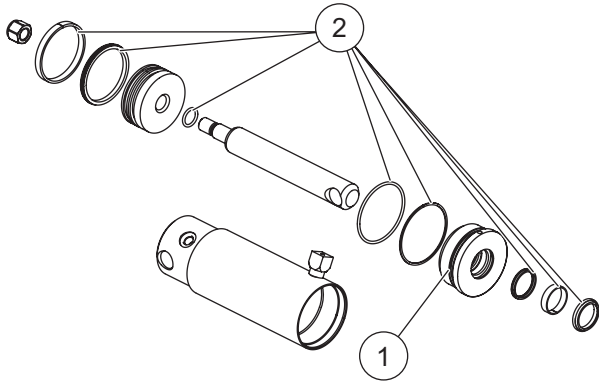
Go to www.blizzardplows.com for hydraulic unit service information and specifications.

Hoses and Fittings



Hoses and Fittings							
Item	Part	Qty	Description	Item	Part	Qty	Description
1	49496	4	3/8 x 42 Hose w/FJIC Ends	6	41093	1	Elbow 45° 9/16-18 x 7/16-20 ORB
2	40570	3	1/4 x 22 Hose w/FJIC Ends	7	48333	4	Elbow 45° -6M O-Ring/MJIC
3	40569	1	1/4 x 16 Hose w/FJIC Ends	8	49493	2	Orifice Kit
4	40571	9	Elbow 90° -6M O-Ring/MJIC	9	56823	1	Hose Wrap
5	40572	2	Elbow 90° Extra Long -6M O-Ring/MJIC				
F = Female		G = Grade		M = Male or Metric		ns = not shown	

Lift and Angle Ram Components

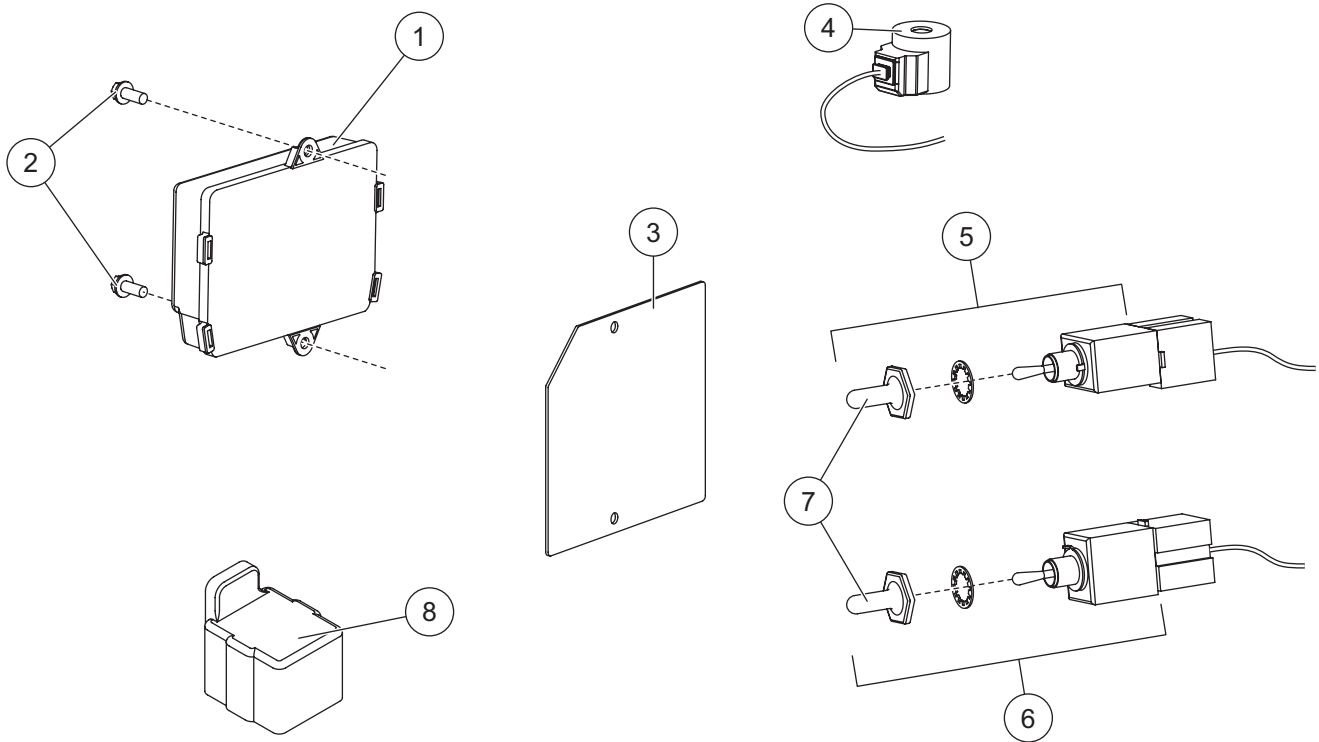


41095 Lift Ram Assembly 3-1/2 x 5-1/2			
Item	Part	Qty	Description
1	48358	1	1-1/2 Gland
2	41098	1	Seal Kit 3-1/2" DA Ram
ns = not shown			

41096 Angle Ram Assembly 1-3/4 x 11			
Item	Part	Qty	Description
1	50403	1	1-3/4 Gland
2	41097	1	1-3/4 Seal Kit
ns = not shown			

Go to www.blizzardplows.com for hydraulic unit service information and specifications.

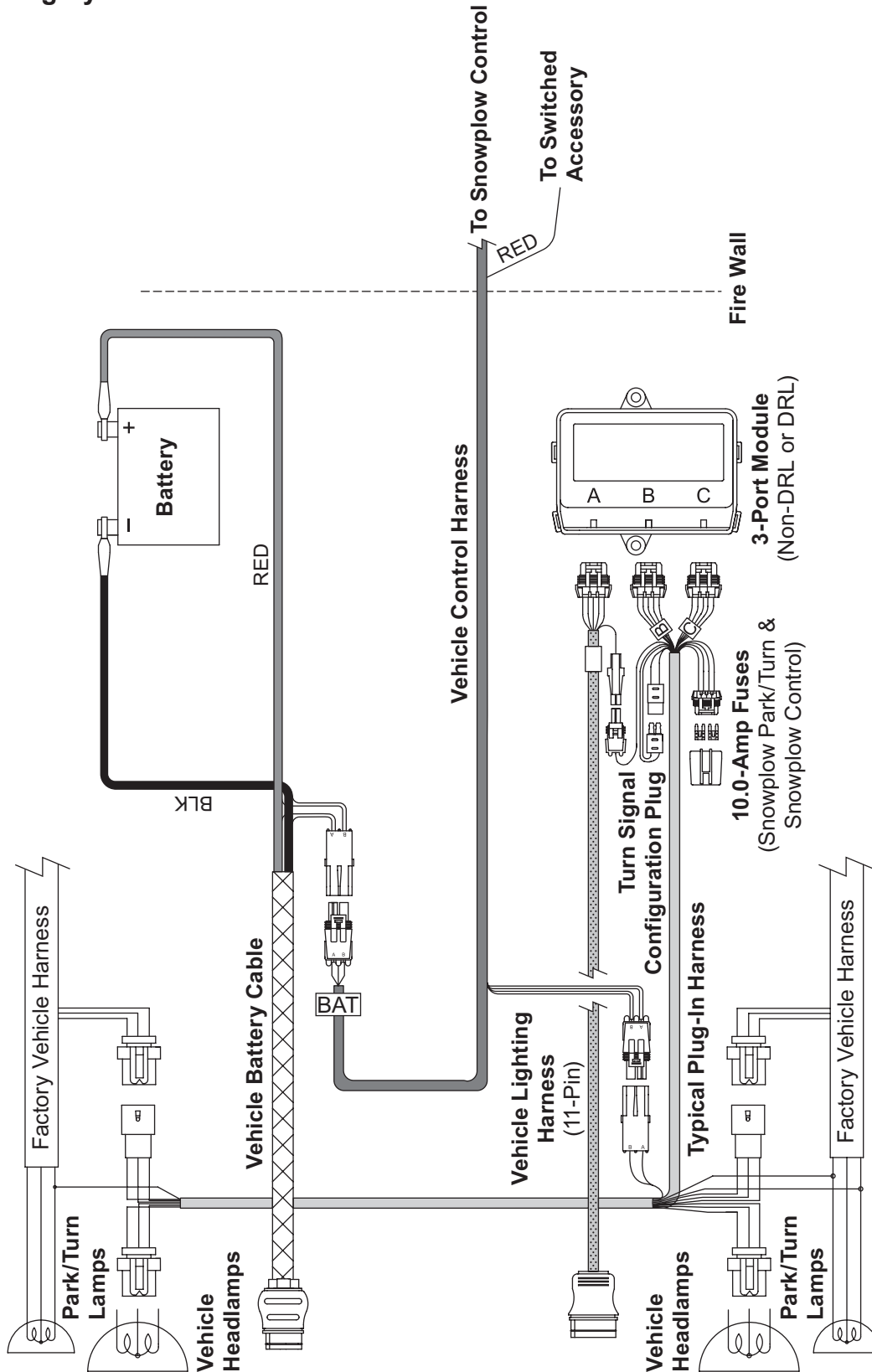
Electrical Components



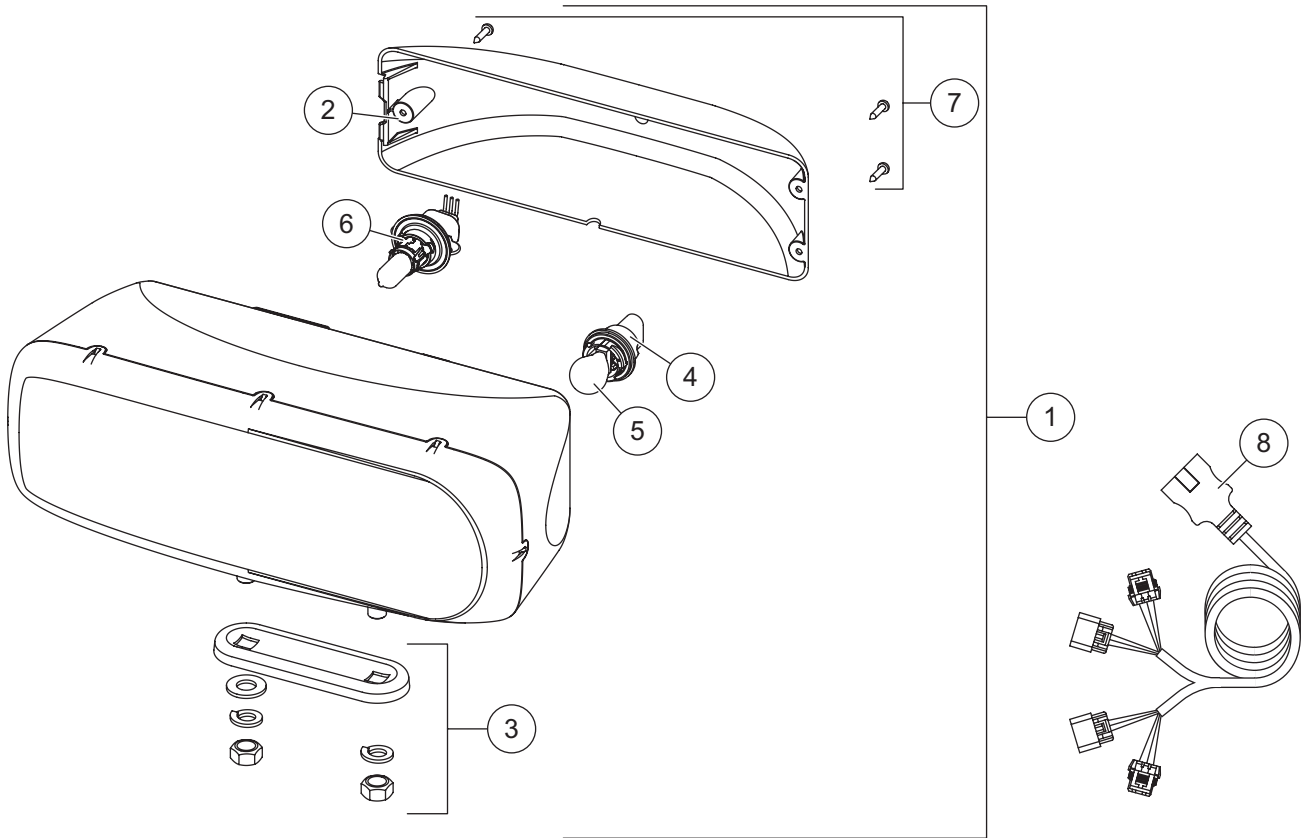
Plow-Side Electrical Components						
Item	Part	Qty	Description	Item	Part	Qty Description
1	44354-3	1	Plow Module	6	40576	1 Toggle Switch (MOM-ON, OFF, MOM-ON)
2	44355	2	1/4-20 x 5/8 Hex Washer-Head Thread-Rolling Screw	7	48259	2 Switch Boot
3	48392	1	Module Plate	8	61246	1 Cable Boot
4	41088	9	Coil w/Wire Leads			
5	40575	1	Toggle Switch (MOM-ON, OFF, ON)			
Vehicle-Side Electrical Components						
*	42014	1	Vehicle Battery Cable	ns	48325	2 Plug Cover
*	28587	1	Vehicle Control Harness			
ns = not shown						

* For diagram see Vehicle-Side Harness Diagram

**Vehicle-Side Harness Diagram
3-Port, 2-Plug System**



Headlamp Kit



28800-1 Headlamp Kit (Pair)							
Item	Part	Qty	Description	Item	Part	Qty	Description
1	28801-1	1	Headlamp Service Kit, DS	5		2	Park/Turn Bulb (trade no. 4157NAK)
ns	28802-1	1	Headlamp Service Kit, PS	6	28806	2	H13 Headlamp Bulb Service Kit
2	28803-1	2	Rear Cover Kit (fits 2- or 3-screw)	7	28808-1	2	Cover Screws Service Kit (pkg of 3)
3	28804	2	Mounting Hardware Kit	8	28213K	1	Harness Service Kit
4	28805	2	Park/Turn Socket Service Kit				

ns = not shown



Blizzard
PO Box 245038
Milwaukee, WI 53224-9538
www.blizzardplows.com

 A DIVISION OF DOUGLAS DYNAMICS, LLC

Copyright © 2014 Douglas Dynamics, LLC. All rights reserved. This material may not be reproduced or copied, in whole or in part, in any printed, mechanical, electronic, film or other distribution and storage media, without the written consent of Blizzard. Authorization to photocopy items for internal or personal use by Blizzard outlets or snowplow owner is granted.

Blizzard reserves the right under its product improvement policy to change construction or design details and furnish equipment when so altered without reference to illustrations or specifications used. Blizzard or the vehicle manufacturer may require or recommend optional equipment for snow removal. Do not exceed vehicle ratings with a snowplow. Blizzard offers a limited warranty for all snowplows and accessories. See separately printed page for this important information. The following are registered (®) or unregistered (™) trademarks of Douglas Dynamics, LLC: BLIZZARD®, BLIZZARD POWER PLOW®, POWER HITCH™, POWER HITCH™ 2, POWER PLOW™, SECURITY GUARD™.

Printed in U.S.A.