



SPEEDWING™ & Straight Blade Skid Steer Snowplows

**8600SW, 7600HD, 8000HD, 8600HD, 9000HD
HD A-Frame/Attachment Plate & Hydraulics 69770
SPEEDWING A-Frame/Attachment Plate
& Hydraulics 69880**

Parts List



TABLE OF CONTENTS

SKID STEER – SPEEDWING™ BLADE..... 4
 Blade Components 4
 Pivot Beam Components 7
 A-Frame Components 8

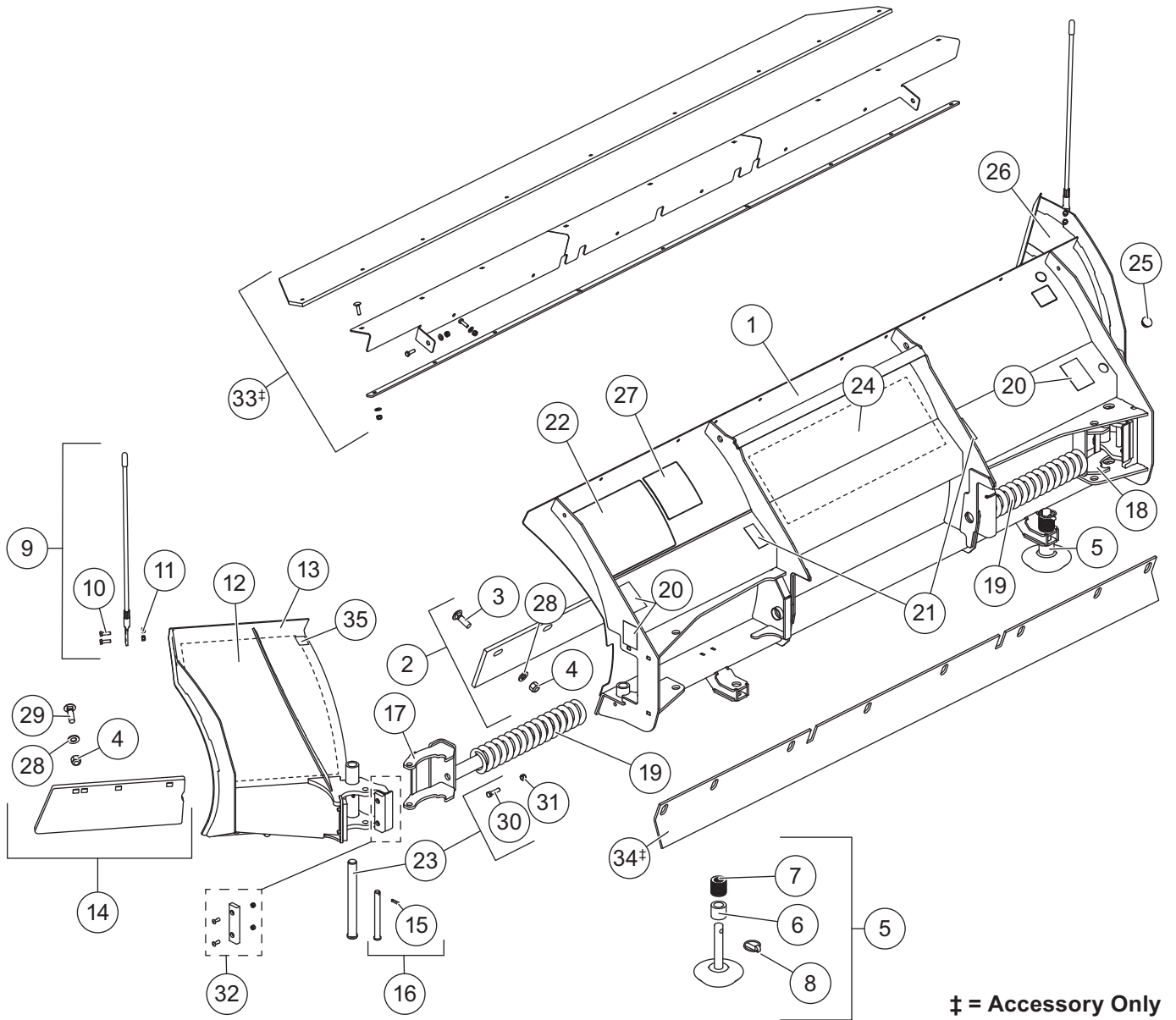
SKID STEER – STRAIGHT BLADES 10
 Blade Components 10
 Pivot Beam Components 13
 A-Frame Components 14

ANGLE RAM COMPONENTS 16

HYDRAULIC COMPONENTS 17

SKID STEER SPEEDWING™ BLADES – 69880

Blade Components

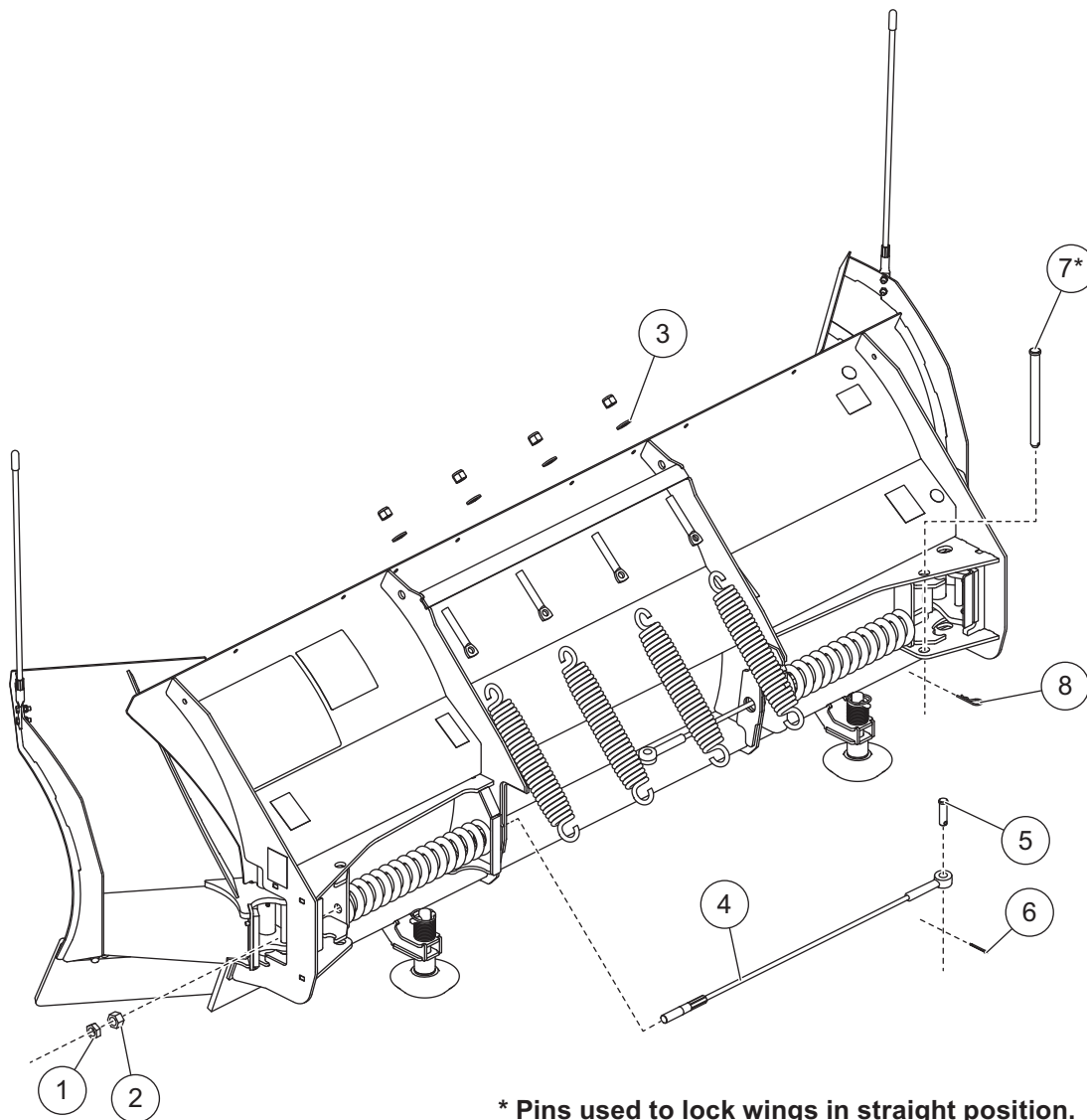


SKID STEER SPEEDWING™ BLADES – 69880

42391 Moldboard Assembly – SPEEDWING							
Item	Part	Qty	Description	Item	Part	Qty	Description
1	42387	1	Moldboard (w/labels)	19	42725	2	Compression Spring
2	49799	1	Moldboard Cutting Edge Kit	20	29593	4	Label – Multiple Pinch Points
3	63986	8	5/8-11 x 2-1/2 Carriage Bolt G5	21	29256	2	Label – Crush Hazard
4	91337	14	5/8-11 Hex Locknut GB	22	57988	1	Label – Skid Steer Attach/Detach
5	53595	2	HD Plow Shoe Assembly	23	42396	2	Hinge Pin Kit
6	60045	2	1-1/8 ID, 1-5/8 OD x 1-1/2 Spacer	24	B63175	1	Label, Center Moldboard (BLZ 1085)
7	91192	34	Flat Washer, Special	25	B61614	2	Plug, Ø1.00 Finishing
8	93010	2	7/16 x 1-3/4 Linchpin	26	42386	1	Wing – PS
9	B61049	1	Blade Guide Assembly	27	59900	1	Label – Warning/Caution, Snowplow
10	68494	4	5/16-18 x 1 Hex Cap Screw G5	28	90576	14	5/8 Hardened Flat Washer
11	91332	4	5/16-18 Hex Locknut GB	29	5572	6	5/8-11 x 2 Carriage Bolt G5
12	42941	1	Label – Moldboard Wing DS	30	66439	2	3/8-16 x 1-1/2 Hex Cap Screw G5
ns	42942	1	Label – Moldboard Wing PS	31	91333	2	3/8 -16 Hex Locknut GB
13	42385	1	Wing – DS	32	42395	4	Bumper Kit
14	42383	1	Wing Cutting Edge Kit (DS & PS)	33 [‡]	42384	1	Deflector Kit
15	42943	2	1/4 x 1 Coiled Spring Pin	34 [‡]	42382	1	Back Drag Edge
16	42397	2	Spring Guide Pin Kit	35	43528	2	Wear Strip – Wing Top
17	42392	1	Spring Guide DS	ns [‡]	B52093	1	Snowplow Airfoil
18	42393	1	Spring Guide PS				
			ns = not shown			‡ = Accessory Only	G = Grade

SKID STEER SPEEDWING™ BLADES – 69880

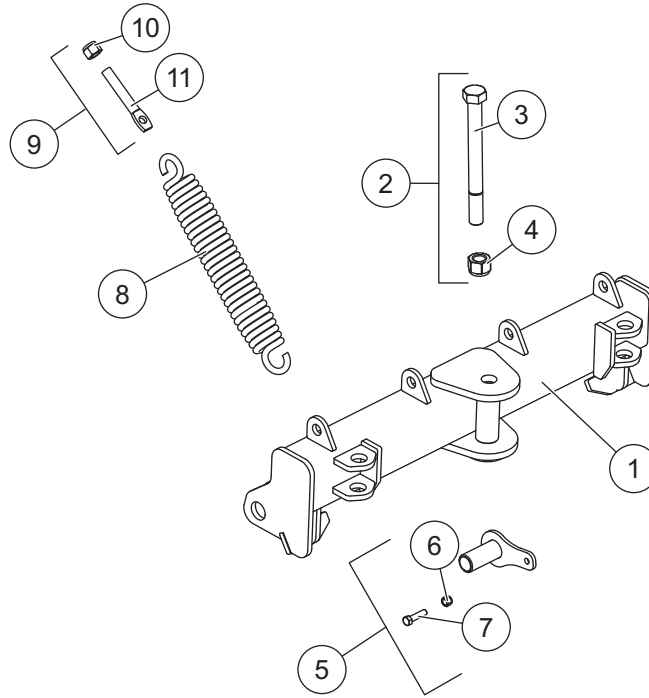
Blade Components



* Pins used to lock wings in straight position.

Blade Components – SPEEDWING							
Item	Part	Qty	Description	Item	Part	Qty	Description
1	B61615	2	3/4-10 Hex Jam Nut	5	B61563	2	0.625 x 2.33 Clevis Pin
2	B61343	2	3/4-10 Hex Nut	6	90601	2	1/4 x 1-1/2 Cotter Pin
3	90576	4	5/8 Hardened Flat Washer	7	42738	2	3/4 x 9 Clevis Pin
4	42389	2	Cable Assembly w/Hardware (incl. items 1, 2, 5 and 7)	8	91962	2	1/8 Hairpin Cotter

Pivot Beam Components

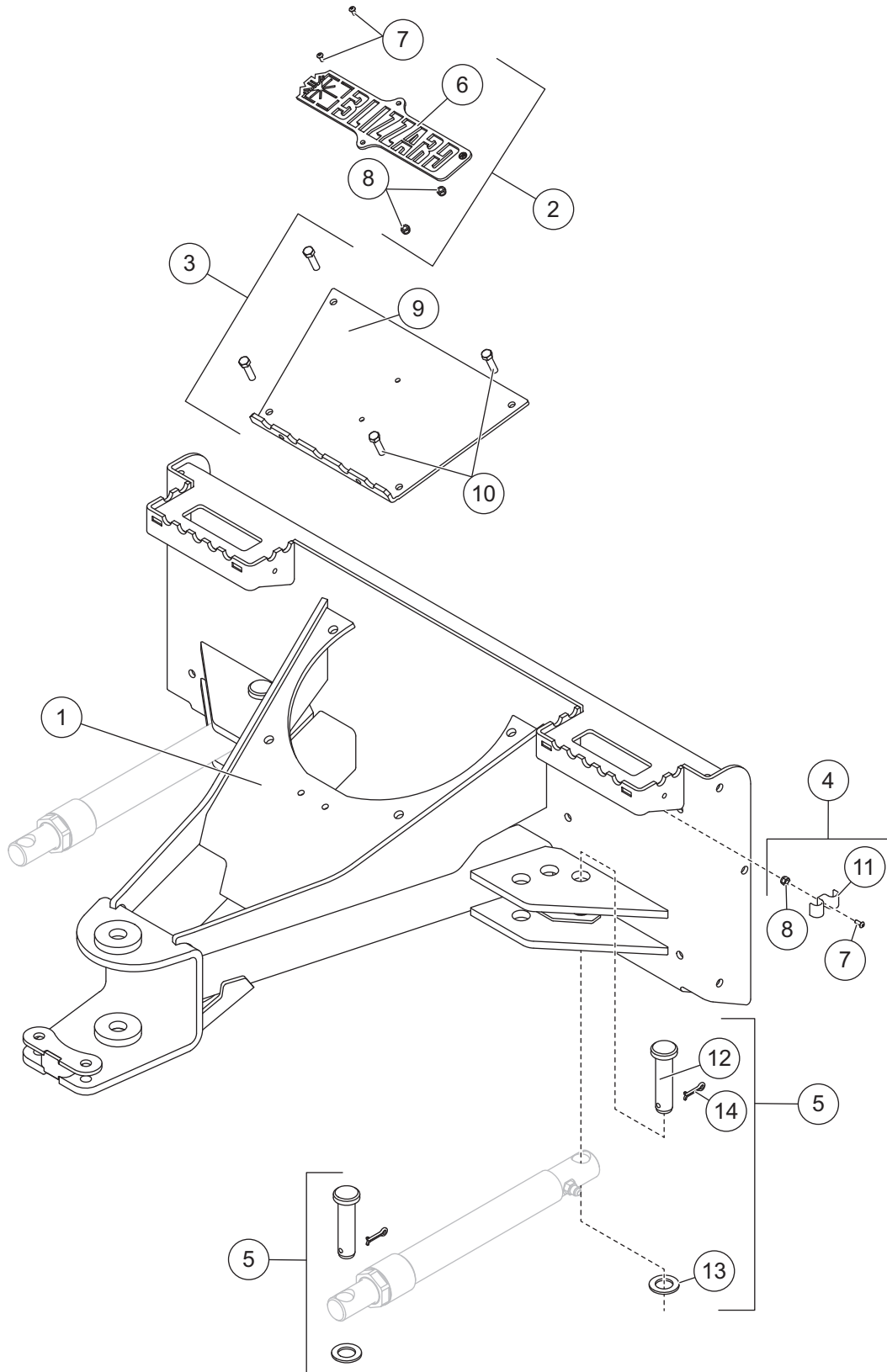


Pivot Beam Components – SPEEDWING							
Item	Part	Qty	Description	Item	Part	Qty	Description
1	41138	1	Pivot Beam	7	66439	2	3/8-16 x 1-1/2 Hex Cap Screw G5
2	41146	1	Pivot Bolt Kit	8	23039	4	Trip Spring
3	66949	1	1-8 x 9 Hex Cap Screw G5 Special	9	50655	4	Eyebolt Kit
4	91340	1	1-8 Hex Locknut GB	10	91337	4	5/8-11 Hex Locknut GB
5	42388	2	Pivot Bushing Kit	11	90490	4	5/8-11 x 4 Eyebolt G2
6	91333	11	3/8-16 Hex Locknut GB				

G = Grade

SKID STEER SPEEDWING™ BLADES – 69880

A-Frame Components



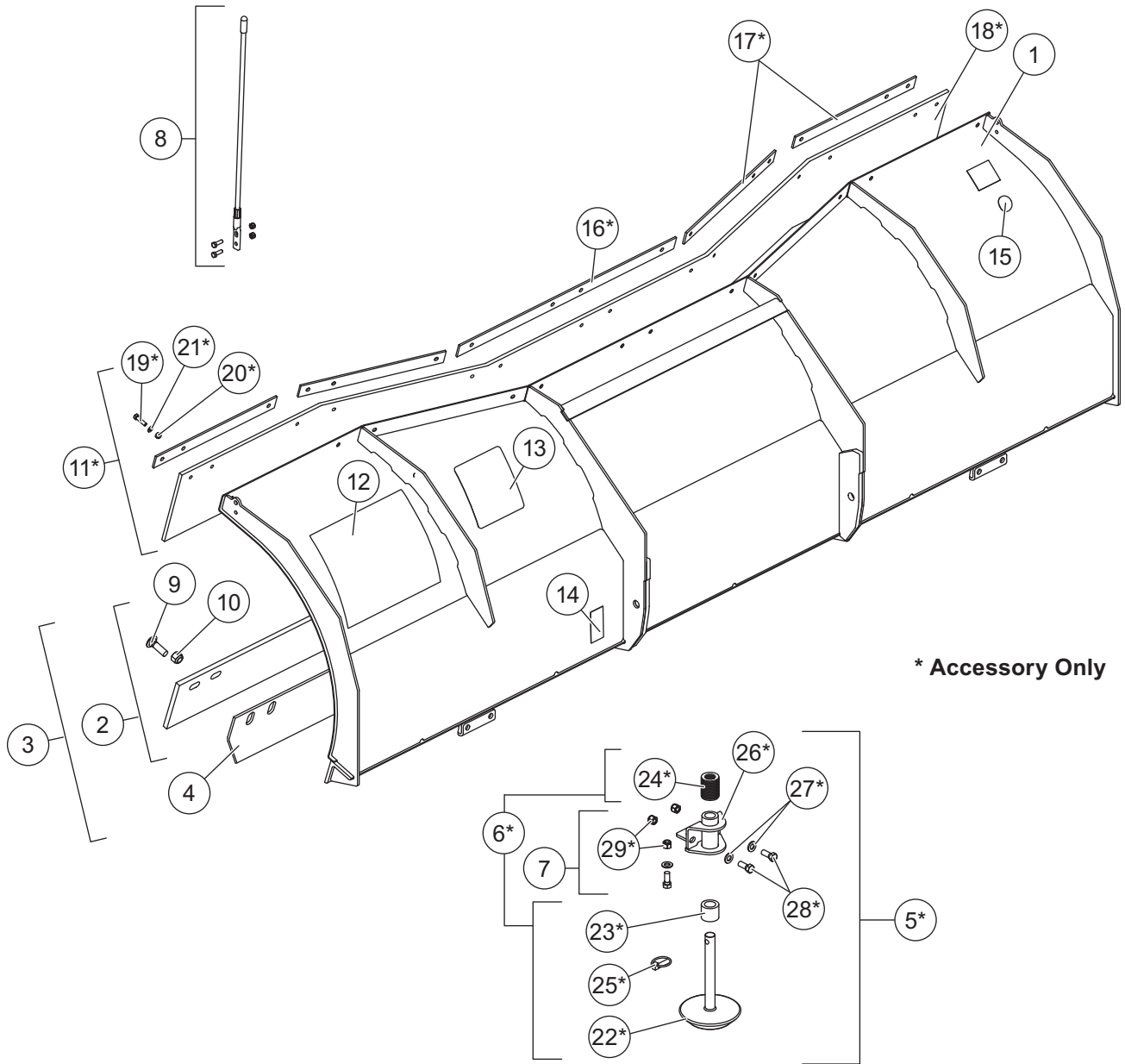
SKID STEER SPEEDWING™ BLADES – 69880

A-Frame Components – SPEEDWING							
Item	Part	Qty	Description	Item	Part	Qty	Description
1	57973	1	A-Frame	4	57890	1	Hose Clamp Kit
2	57977	1	Logo Plate Kit	5	57968	4	Ram Pin Kit
3	57978	1	Step Plate Kit				
Item 2				57977 Logo Plate Kit			
6		1	Logo Plate – BLIZZARD®	8		2	1/4-20 Hex Locknut
7		2	1/4-20 x 1-1/2 Button-Head Screw				
Item 3				57978 Step Plate Kit			
9		1	Step Plate	10		4	3/8-16 x 1-1/2 Button-Head Screw
Item 4				57890 Hose Clamp Kit			
7		1	1/4-20 x 1-1/2 Button-Head Screw	11		1	Double Hose Clamp
8		1	1/4-20 Hex Locknut				
Item 5				57968 Ram Pin Kit			
12		1	1 x 4 Clevis Pin	14		1	1/4 x 1-1/2 Cotter Pin
13		1	1.03 ID x 1.75 OD Flat Washer				

For hydraulic relief manifold and fittings, see p. 17.

SKID STEER STRAIGHT BLADES – 69770

Blade Components

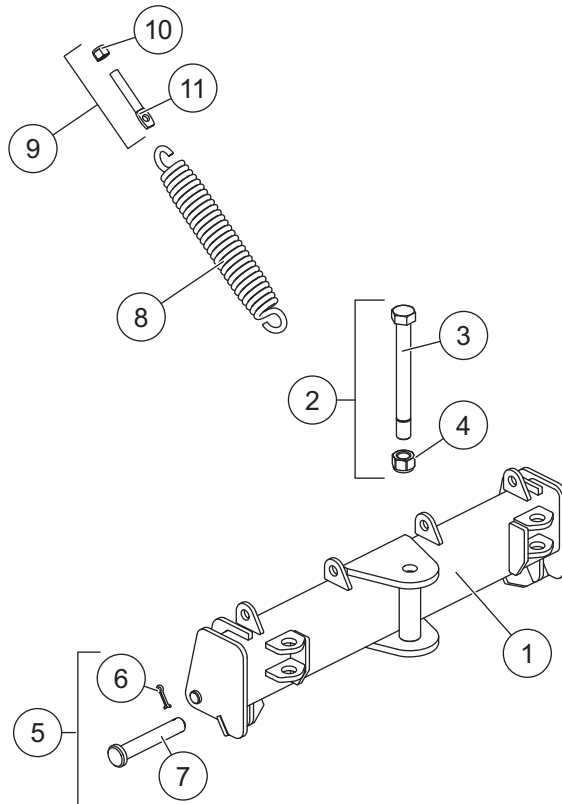


SKID STEER STRAIGHT BLADES – 69770

Blade Components – HD							
Item	Part	Qty	Description	Item	Part	Qty	Description
1	40675	1	7600HD Blade	7	40508	2	Shoe Mounting Kit
	40676	1	8000HD Blade	8	B61049	1	Plow Guide Assembly
	40677	1	8600HD Blade	9	5572	10	5/8-11 x 2 Carriage Bolt G5
	40678	1	9000HD Blade	10	91337	10	5/8-11 Hex Locknut GB
2	40695	1	7-1/2' Cutting Edge Kit (1/2")	11*	40700	1	Deflector Kit
	40696	1	8' Cutting Edge Kit (1/2")	12	57988	1	Label – Skid Steer Attach/Detach
	40697	1	8-1/2' Cutting Edge Kit (1/2")	13	59900	1	Label – Warning/Caution, Snowplow
	40698	1	9' Cutting Edge Kit (1/2")	14	29256	4	Label – Foot Crush Hazard
3	40679	1	7600HD Blade Assembly	15	56581	1	Label – CE Marking (1.5 kW)
	40680	1	8000HD Blade Assembly	ns	96321	1	Label – Moldboard PS
	40681	1	8600HD Blade Assembly	ns	96320	1	Label – Moldboard DS
	40682	1	9000HD Blade Assembly	ns	B63163	1	Label – Straight Blade Center
4*	42384	1	Back Drag Edge Kit	ns*	40699	1	Curb Guard Kit – Single
5*	40501	1	HD Disc Shoe Assembly	ns*	B52093	1	Air Foil
6*	49071	2	Shoe Assembly Kit				
Item 4*				42384 Back Drag Edge Kit			
4	64758	1	7-1/2' Back Drag Edge	ns	66991	1	9' Back Drag Edge
	66892	1	8' Back Drag Edge	ns	29351	1	Bolt Bag, Back Drag Edge
	66999	1	8-1/2' Back Drag Edge				
Item 5*				40501 HD Disc Shoe Assembly			
22	60217	2	HD Disc Shoe	26	40477	2	Shoe Holder
23	60045	2	Spacer	27	29243	4	1/2" Flat Washer Narrow
24	91192	48	Flat Washer Special	28	90575	6	1/2-13 x 1-1/4 Hex Cap Screw G5
25	93010	2	7/16 x 1-3/4 Linchpin	29	91335	6	1/2-13 Hex Locknut GB
Item 11*				40700 Deflector Kit			
16	40683	1	Hold Down, Center	19	90048	11	5/16-18 x 1-1/4 Hex Cap Screw G5
17	40684	4	Hold Down, Outer	20	91332	11	5/16-18 Hex Locknut GB
18	40685	1	Rubber Deflector	21	B61412	11	5/16 Flat Washer Hardened
ns = not shown				* = Accessory Only		G = Grade	

This page intentionally left blank.

Pivot Beam Components

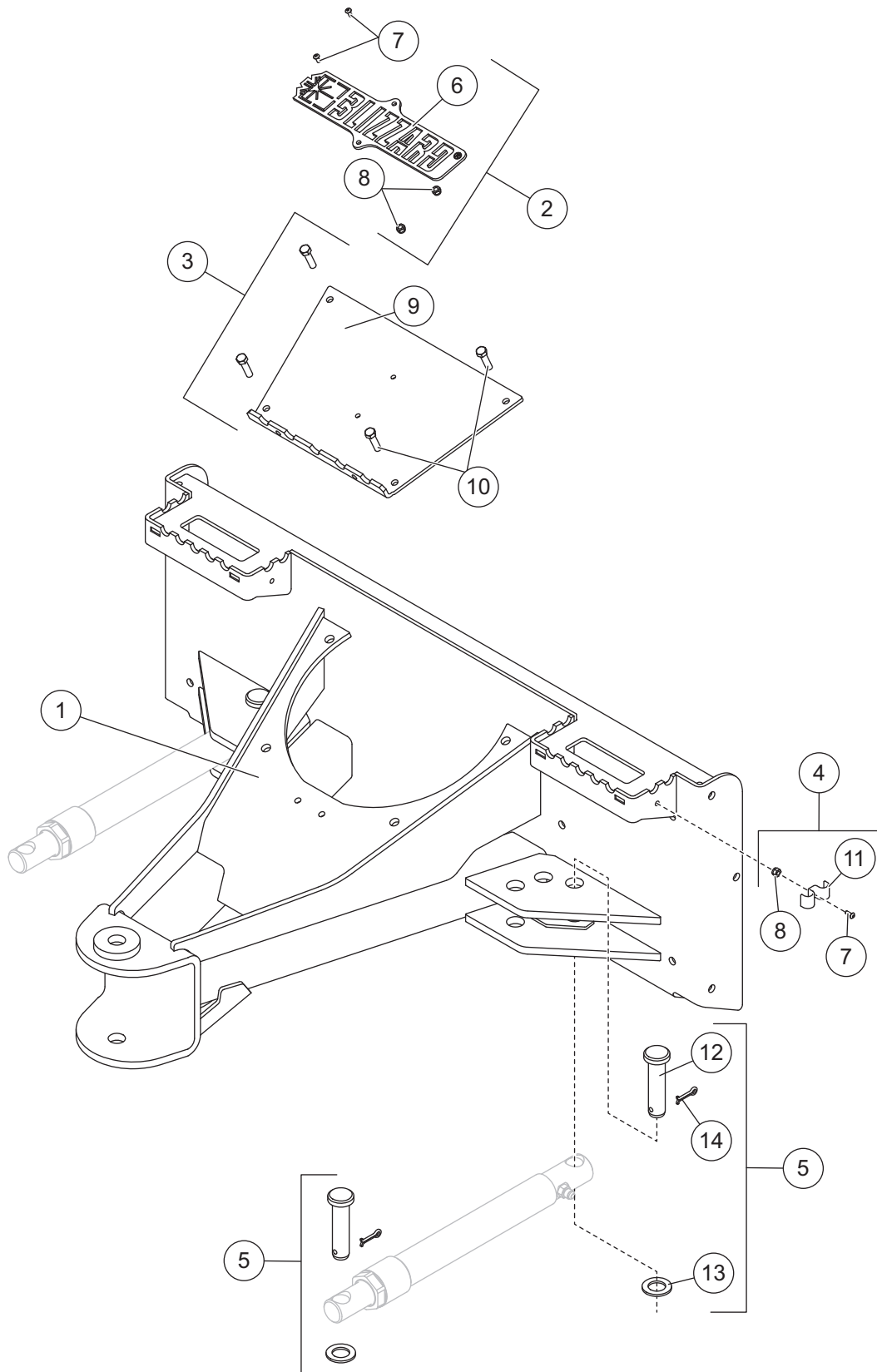


Pivot Beam Components – HD							
Item	Part	Qty	Description	Item	Part	Qty	Description
1	41118	1	Pivot Beam	7	B50069	2	3/4 x 3 Pivot Pin
2	41119	1	Pivot Bolt Kit	8	23039	4	Trip Spring
3	50605	1	1-8 x 9-1/2 Hex Cap Screw G5 SPL	9	50655	4	Eyebolt Kit
4	91340	1	1-8 Hex Locknut G5 Special	10	91337	4	5/8-11 Hex Locknut GB
5	41123	2	Pivot Pin w/Cotter	11	90490	4	5/8-11 x 4 Eyebolt G2
6	90601	6	1/4 x 1-1/2 Cotter Pin				

G = Grade

SKID STEER STRAIGHT BLADES – 69770

A-Frame Components

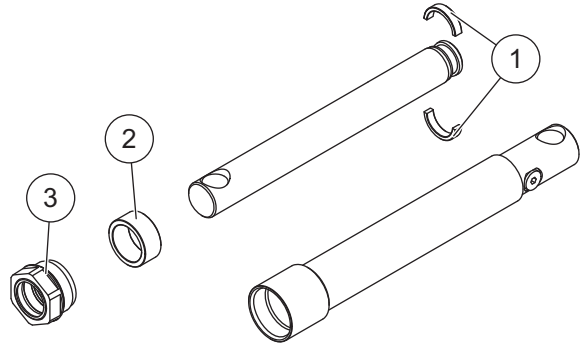


SKID STEER STRAIGHT BLADES – 69770

A-Frame Components – HD							
Item	Part	Qty	Description	Item	Part	Qty	Description
1	57974	1	A-Frame	4	57890	1	Hose Clamp Kit
2	57977	1	Logo Plate Kit	5	57968	4	Ram Pin Kit
3	57978	1	Step Plate Kit				
Item 2				57977 Logo Plate Kit			
6		1	Logo Plate – BLIZZARD®	8		2	1/4-20 Hex Locknut
7		2	1/4-20 x 1-1/2 Button-Head Screw				
Item 3				57978 Step Plate Kit			
9		1	Step Plate	10		4	3/8-16 x 1-1/2 Button-Head Screw
Item 4				57890 Hose Clamp Kit			
7		1	1/4-20 x 1-1/2 Button-Head Screw	11		1	Double Hose Clamp
8		1	1/4-20 Hex Locknut				
Item 5				57968 Ram Pin Kit			
12		1	1 x 4 Clevis Pin	14		1	1/4 x 1-1/2 Cotter Pin
13		1	1.03 ID x 1.75 OD Flat Washer				

For hydraulic relief manifold and fittings, see p. 17.

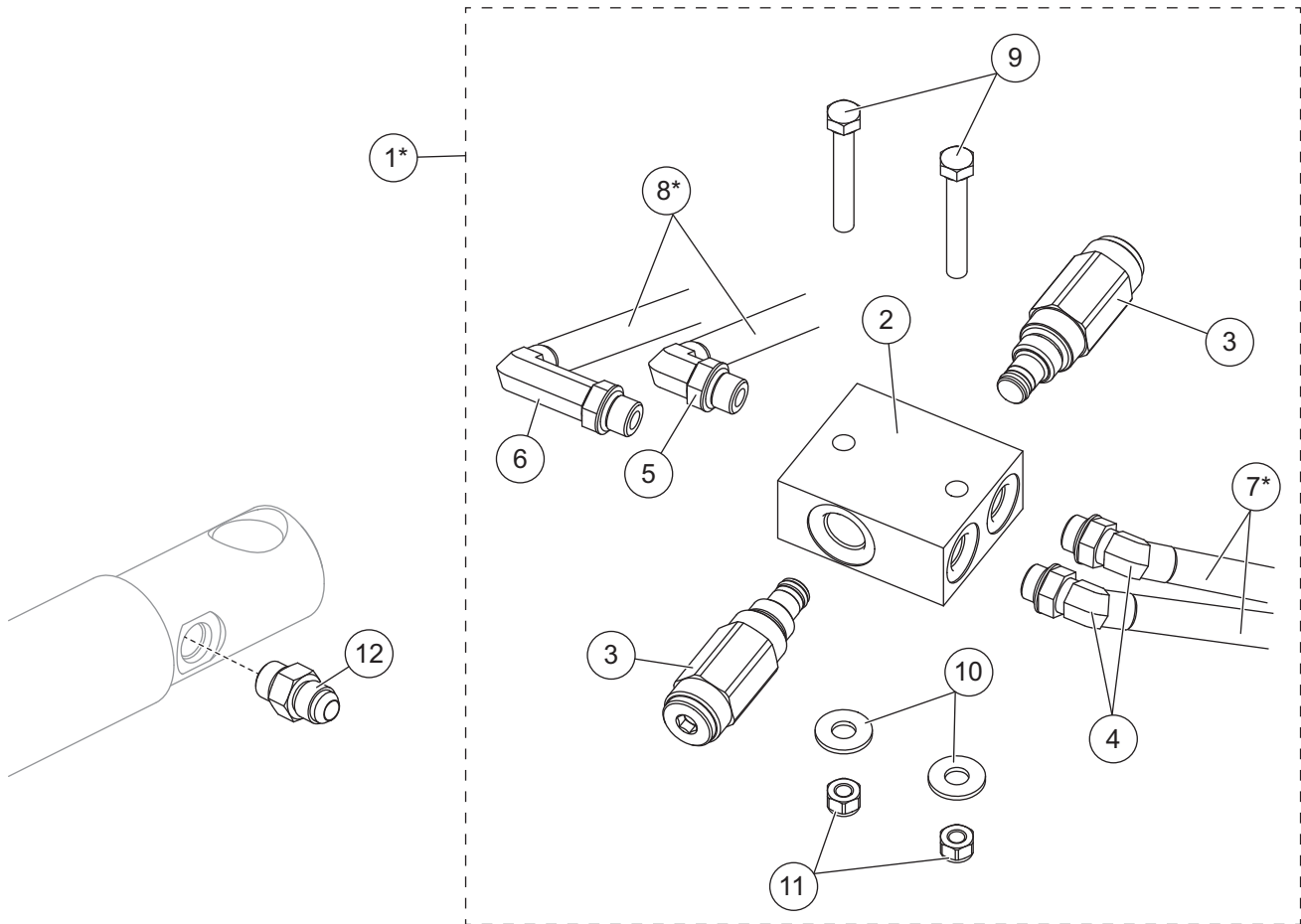
Angle Ram Components



57980 Angle Ram Assembly 1-1/2 x 12							
Item	Part	Qty	Description	Item	Part	Qty	Description
1	57879	2	Split Bearing 1-1/2	48985	1	Gland Nut Assembly	
2	56537	1	Spacer				

Go to www.blizzardplows.com for hydraulic unit service information and specifications.

Hydraulic Components



Hydraulic Components							
Item	Part	Qty	Description	Item	Part	Qty	Description
1*	57982	1	Relief Manifold w/Valves, Fittings & Hardware	6	40572	1	Elbow, Extra Long 90° –6 M JIC/ –6 M ORB
2	57984	1	Relief Manifold	7*	57965	2	Hose, 3/8 x 84 w/F JIC Ends
3	57895	2	Relief Valve, 3300 psi	8*	49496	2	Hose, 3/8 x 42 w/F JIC Ends
4	57877	2	Elbow, Special 45° –6 M JIC/ –6 M ORB	ns	57983	1	Hardware Bag
5	40571	1	Elbow, 90° –6 M JIC/–6 M ORB	ns	57893	1	1/2 Coupler Set (accessory only)
57983 Hardware Bag							
9		2	5/16-18 x 2-1/4 Hex Cap Screw G5	12	B60007	2	Connector, Short –6 M JIC/ –6 M ORB
10		2	5/16 Flat Washer				
11		2	5/16-18 Hex Locknut				
F = Female			M = Male			G = Grade	

* Hoses not included in item 1.



Blizzard
PO Box 245038
Milwaukee, WI 53224-9538
www.blizzardplows.com

 A DIVISION OF DOUGLAS DYNAMICS, LLC

Copyright © 2013 Douglas Dynamics, LLC. All rights reserved. This material may not be reproduced or copied, in whole or in part, in any printed, mechanical, electronic, film or other distribution and storage media, without the written consent of Blizzard. Authorization to photocopy items for internal or personal use by Blizzard outlets or snowplow owner is granted.

Blizzard reserves the right under its product improvement policy to change construction or design details and furnish equipment when so altered without reference to illustrations or specifications used. Blizzard or the vehicle manufacturer may require or recommend optional equipment for snow removal. Do not exceed vehicle ratings with a snowplow. Blizzard offers a limited warranty for all snowplows and accessories. See separately printed page for this important information. The following are registered (®) or unregistered (™) trademarks of Douglas Dynamics, LLC: BLIZZARD®, SPEEDWING™.

Printed in U.S.A.